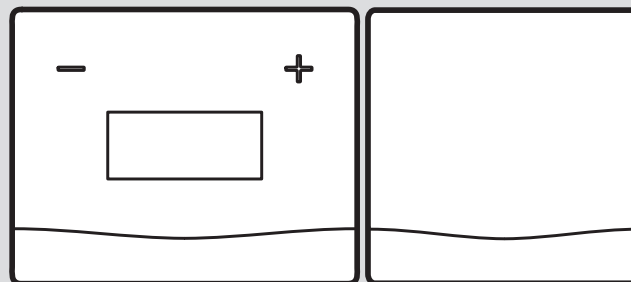




# vSMART

0020197226



en Operating instructions

# Operating instructions

## Contents

<b>1</b>	<b>Safety</b> .....	<b>3</b>	4.8	Checking the battery charge condition .....	11
1.1	Action-related warnings .....	3	4.9	Change batteries .....	11
1.2	Intended use .....	3	4.10	Start screen .....	12
1.3	General safety information .....	4	<b>5</b>	<b>Troubleshooting</b> .....	<b>13</b>
<b>2</b>	<b>Notes on the documentation</b> .....	<b>6</b>	<b>6</b>	<b>Caring for the product</b> .....	<b>13</b>
2.1	Observing other applicable documents .....	6	<b>7</b>	<b>Decommissioning</b> .....	<b>13</b>
2.2	Storing documents.....	6	7.1	Permanently decommissioning the product.....	13
2.3	Validity of the instructions .....	6	<b>8</b>	<b>Recycling and disposal</b> .....	<b>13</b>
<b>3</b>	<b>Product description</b> .....	<b>6</b>	<b>9</b>	<b>Guarantee and customer service</b> .....	<b>14</b>
3.1	Product design.....	7	9.1	Guarantee.....	14
3.2	Display .....	7	9.2	Customer service.....	14
3.3	Information on the data plate .....	7	<b>Appendix</b> .....		<b>15</b>
3.4	CE marking .....	8	<b>A</b>	<b>Faults – Overview</b> .....	<b>15</b>
<b>4</b>	<b>Operation</b> .....	<b>8</b>	<b>B</b>	<b>Legal note</b> .....	<b>15</b>
4.1	Starting up the product .....	8			
4.2	Preventing malfunctions .....	8			
4.3	Checking and setting the room temperature .....	8			
4.4	Installing the app.....	9			
4.5	Establishing a wireless connection .....	9			
4.6	Restoring the connection .....	10			
4.7	Comfort protection mode .....	10			



## 1 Safety

### 1.1 Action-related warnings

#### Classification of action-related warnings

The action-related warnings are classified in accordance with the severity of the possible danger using the following warning signs and signal words:

#### Warning symbols and signal words

**Danger!**

Imminent danger to life or risk of severe personal injury

**Danger!**

Risk of death from electric shock

**Warning.**

Risk of minor personal injury

**Caution.**

Risk of material or environmental damage

### 1.2 Intended use

There is a risk of injury or death to the user or others, or of damage to the product and other property in the event of improper use or use for which it is not intended.

The Vaillant vSMART control controls a heating installation with a Vaillant boiler with eBUS interface in a way that is weather-compensated and time-dependent.

In addition, domestic hot water generation from a connected domestic hot water cylinder can be controlled.

Operation is permissible with the following components and accessories:

- Domestic hot water cylinder (conventional)

Intended use includes the following:

- observance of the operating instructions included for the product and any other installation components
- compliance with all inspection and maintenance conditions listed in the instructions.



This product can be used by children aged from 8 years and above and persons with reduced physical, sensory or mental capabilities or lack of experience and knowledge if they have been given supervision or instruction concerning use of the product in a safe way and understand the hazards involved. Children must not play with the product. Cleaning and user maintenance work must not be carried out by children unless they are supervised.

Any other use that is not specified in these instructions, or use beyond that specified in this document, shall be considered improper use. Any direct commercial or industrial use is also deemed to be improper.

### **Caution.**

Improper use of any kind is prohibited.

## **1.3 General safety information**

### **1.3.1 Danger caused by improper operation**

Improper operation may present a danger to you and others, and cause material damage.

- ▶ Carefully read the enclosed instructions and all other applicable documents, particularly the "Safety" section and the warnings.
- ▶ Only carry out the activities for which instructions are provided in these operating instructions.

### **1.3.2 Batteries**

- ▶ Note the battery type, as described in these instructions; see section "Data plate".
- ▶ Remove and insert batteries as described in these instructions; see section "Changing the batteries".
- ▶ Do not recharge non-rechargeable batteries.
- ▶ Remove rechargeable batteries from the product before charging them.





- ▶ Do not combine batteries with other battery types.
- ▶ Do not combine new and used batteries.
- ▶ Insert the batteries, making sure that the poles are the right way round.
- ▶ Remove the dead batteries from the product and dispose of them correctly.
- ▶ Remove the batteries if you intend to store the product and not use it for an extended period and/or to scrap it.
- ▶ Do not short-circuit the connection contacts in the product's battery compartment.

### **1.3.3 Risk of material damage caused by acid**

- ▶ Remove any dead batteries from the product and dispose of these properly.
- ▶ Remove the batteries if you intend to store the product and not use it for an extended period.

### **1.3.4 Risk of material damage caused by frost**

- ▶ Ensure that the heating installation always remains in operation during freezing conditions and that all rooms are sufficiently heated.
- ▶ If you cannot ensure the operation, have a competent person drain the heating installation.



## 2 Notes on the documentation

### 2.1 Observing other applicable documents

- ▶ Always observe all operating instructions enclosed with the installation components.

### 2.2 Storing documents

- ▶ Store these instructions and all other applicable documents for further use.

### 2.3 Validity of the instructions

These instructions apply only to:

Product	Article number
vSMART	0020197226

## 3 Product description

The product controls a heating installation in a way that is weather-compensated and time-dependent using a Vaillant boiler with an eBUS interface and the domestic hot water generation of a connected domestic hot water cylinder.

**Condition:** Heating

You can use the product and associated app to set a desired temperature for a room for different times of the day and for different days of the week.

The product is a weather-compensated control.

The product receives the current outdoor temperature via the Internet connection. When the outdoor temperature is low, the product increases the flow temperature of the Vaillant heating installation.

If the outdoor temperature increases, the product lowers the flow temperature. The product therefore responds to the fluctuations in the outdoor temperature and uses the flow temperature to ensure that the room temperature remains constantly at the set desired temperature.

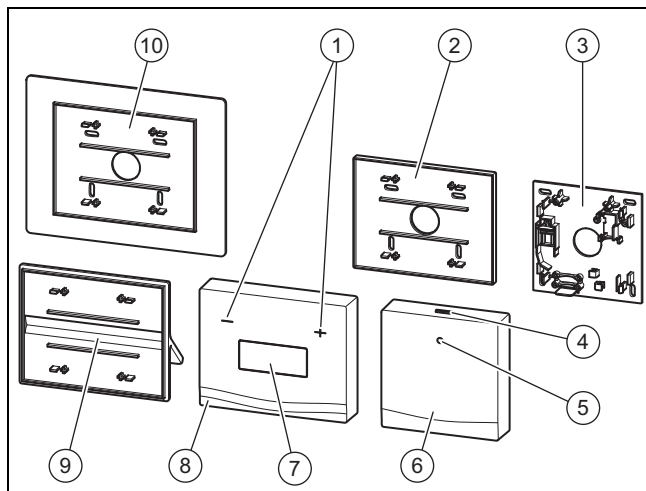
**Condition:** Domestic hot water generation

You can use the product and associated app to set the temperature and time period for domestic hot water generation.

The heat generator heats the water in the domestic hot water cylinder until it reaches the set temperature.

The time period defines when hot water should be ready in the domestic hot water cylinder.

### 3.1 Product design



- |   |   |    |                             |
|---|---|----|-----------------------------|
| 1 | and  buttons                                    | 6  | Communication unit          |
| 2 | Small wall base: Thermostat                     | 7  | Display                     |
| 3 | Wall base: Communication unit                   | 8  | Thermostat                  |
| 4 | Bluetooth button/comfort protection mode button | 9  | Product stand               |
| 5 | Status LED                                      | 10 | Large wall base: Thermostat |

### 3.2 Display

Symbol	Meaning
	Connection between the thermostat and communication unit is being established
	Connection has been established; normal operation
	Connection has been broken

### 3.3 Information on the data plate

The data plate is attached on the rear of the communication unit and the thermostat at the factory.

Information on the data plate	Meaning
	Barcode with serial number (on the communication unit only), 7th to 16th digit = product article number
vSMART	Product designation
V mA	Operating voltage and power consumption

Information on the data plate	Meaning
LR03	Battery type

### 3.4 CE marking



The CE marking shows that the products comply with the basic requirements of the applicable directives as stated on the declaration of conformity.

The manufacturer hereby declares that the type of radio equipment that is described in these instructions complies with Directive 2014/53/EU. The complete text for the EU Declaration of Conformity is available at: <http://www.vaillant.com/doc/doc-radio-equipment-directive/>.

## 4 Operation

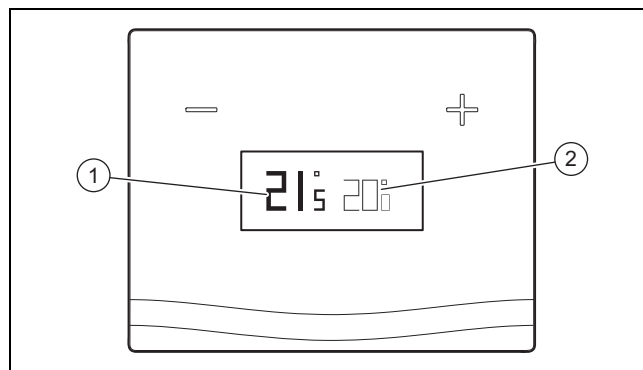
### 4.1 Starting up the product

- ▶ Only start up the product once the casing has been completely closed.

### 4.2 Preventing malfunctions

1. Ensure that the room air can freely circulate around the thermostat and that the thermostat is not covered by furniture, curtains or other objects.
2. In the rooms in which the thermostat is installed, open the radiator valves completely.

### 4.3 Checking and setting the room temperature



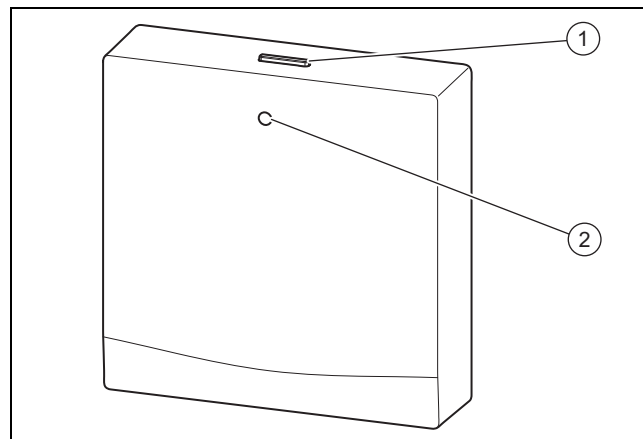
1. Check the display of the current room temperature **(1)** and the set target temperature **(2)** in the display.
2. If required, use the **(-)** and **(+)** buttons to set the target temperature **(2)** to the required value.



#### 4.4 Installing the app

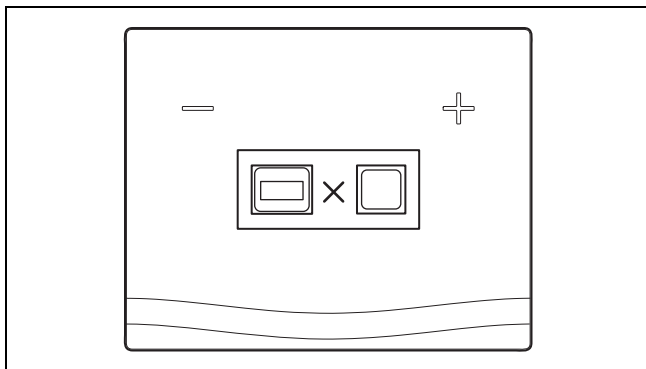
1. You can use your smartphone or tablet to apply any settings beyond the basic functions.
2. Use your mobile device to download the app from <http://vsmart.vaillant.com>. Alternatively, search for **vSMART** on Google Play™ or in the App Store™.
3. Install the relevant app on your mobile device.
4. When first setting up the connection, establish a Bluetooth connection between the product and your device (→ Page 9). Configure the WLAN settings for the product via the Bluetooth connection.
5. Observe the additional instructions in the app.

#### 4.5 Establishing a wireless connection



1. Activate the Bluetooth connection on your mobile device.
2. Press and hold the Bluetooth button/comfort protection mode button **(1)** on the communication unit (for at least five seconds).
  - ◀ The status LED **(2)** flashes blue on the communication unit.
3. Use the app to implement the WLAN settings. To do this, observe the instructions in the app.
  - For security reasons, only connect the product to an encrypted WLAN. Note that Wi-Fi Protected Setup (WPS) is not supported.

## 4.6 Restoring the connection



- ▶ If the above display view is shown, reduce the distance between the thermostat and the communication unit in order to restore the connection.

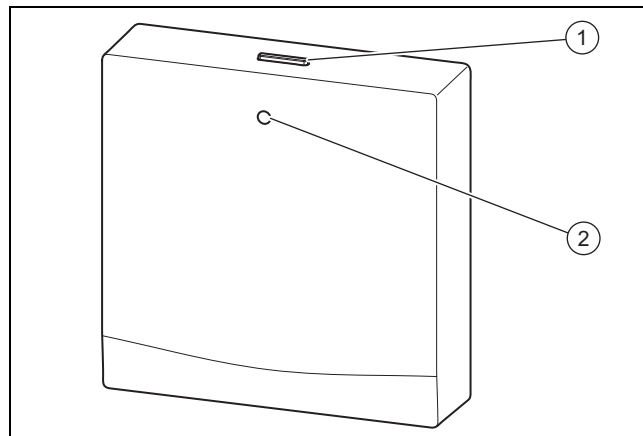
## 4.7 Comfort protection mode

If the product has no connection to the Internet, the product's operating mode cannot be set using the app.

In this case, comfort protection mode can be activated directly on the communication unit.

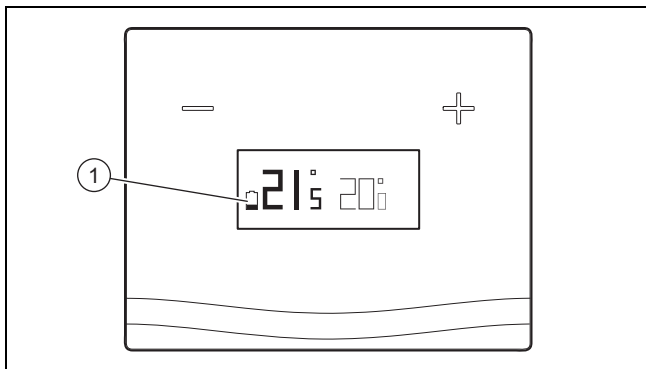
When comfort protection mode is activated, the room temperature is regulated to the target value that is set on the thermostat, regardless of the time periods that are set. In addition, domestic hot water is prepared, irrespective of the set time periods.


### 4.7.1 Activating/deactivating comfort protection mode

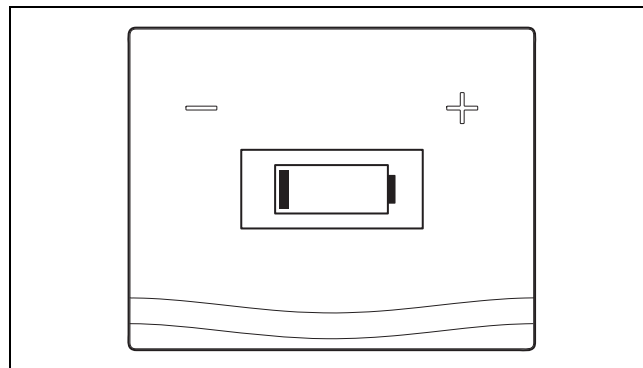


1. Press the Bluetooth button/comfort protection mode button **(1)** briefly on the communication unit.
  - You can only activate comfort protection mode if the Internet connection is interrupted.
  - ◁ The status LED **(2)** lights up blue on the communication unit.
2. Press the Bluetooth button/comfort protection mode button **(1)** again on the communication unit to deactivate the comfort protection mode.
  - The comfort protection mode is automatically deactivated as soon as the Internet connection is re-established.

## 4.8 Checking the battery charge condition



If the  (1) symbol appears in the thermostat display, the batteries are almost flat.



If the above display view appears on the thermostat, the batteries are flat.

- ▶ Replace the batteries in the thermostat.

## 4.9 Change batteries

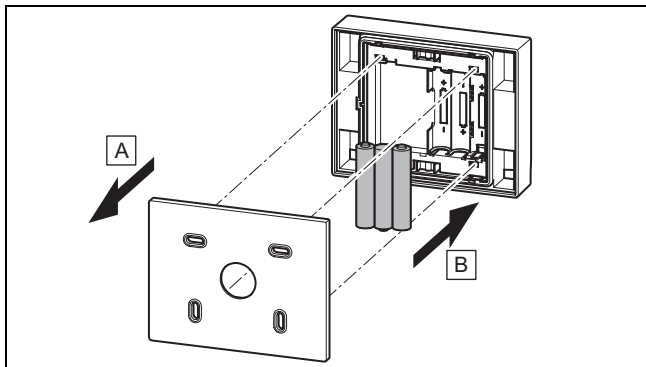


### **Danger!**

**Risk of death caused by unsuitable batteries!**

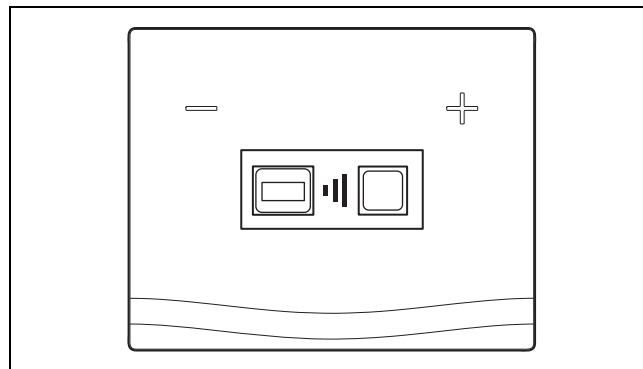
If batteries are replaced with the wrong type of battery, there is a risk of explosion.

- ▶ Ensure that you use the correct battery type when replacing batteries.
- ▶ Dispose of used batteries in accordance with the instructions in this manual.

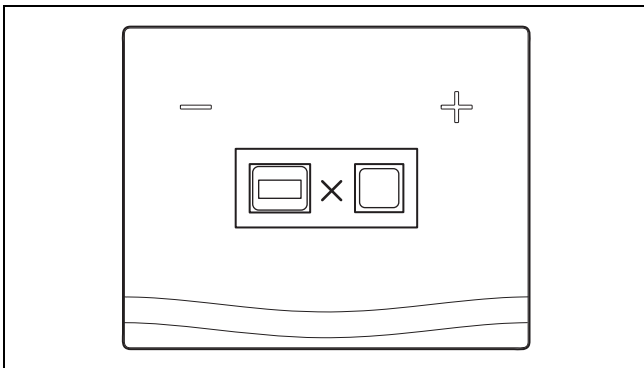


1. Remove the thermostat from the product bracket or remove the product stand from the thermostat.
2. Insert three new batteries (they must all be the same type). Pay attention to the correct polarity.
3. Only use AAA alkaline 1.5 V batteries. Do not use rechargeable batteries.
4. Place the thermostat back onto the product bracket or place the product stand back onto the thermostat. The thermostat or product stand audibly click into place.

#### 4.10 Start screen



After you insert the batteries, the start screen is displayed. The start screen shows that the thermostat is searching for the communication unit.



If the communication unit is not found (e.g. the distance between the thermostat and the communication unit is too great), the above display view is shown.

## 5 Troubleshooting

You can find an overview of the possible faults in the appendix.

Faults – Overview (→ Page 15)

## 6 Caring for the product

- ▶ Clean the casing with a damp cloth and a little solvent-free soap.
- ▶ Do not use sprays, scouring agents, detergents, solvents or cleaning agents that contain chlorine.

## 7 Decommissioning

### 7.1 Permanently decommissioning the product

- ▶ Have a competent person permanently decommission the product.

## 8 Recycling and disposal

- ▶ The competent person who installed your product is responsible for the disposal of the packaging.



■ If the product is labelled with this mark:

- ▶ In this case, do not dispose of the product with the household waste.
- ▶ Instead, hand in the product to a collection centre for waste electrical or electronic equipment.



■ If the product contains batteries that are labelled with this mark, these batteries may contain substances that are hazardous to human health and the environment.

- ▶ In this case, dispose of the batteries at a collection point for batteries.

## **9 Guarantee and customer service**

### **9.1 Guarantee**




We only grant a Vaillant manufacturers warranty if a suitably qualified engineer has installed the system in accordance with Vaillant instructions. The system owner will be granted a warranty in accordance with the Vaillant terms and conditions. All requests for work during the guarantee period must be made to Vaillant Service Solutions.

### **9.2 Customer service**

For contact details for our customer service department, you can write to the address that is provided on the back page, or you can visit [www.vaillant.co.uk](http://www.vaillant.co.uk).

## Appendix

### A Faults – Overview

Symbol	Meaning	Remedy
	Batteries almost flat.	– Replace the batteries in the thermostat.
	Batteries flat.	– Replace the batteries in the thermostat.
	No connection to the communication unit.	– Reduce the distance between the thermostat and the communication unit.

### B Legal note

"Made for iPod", "Made for iPhone" and "Made for iPad" mean that an electronic accessory has been designed that was developed especially for the relevant connection to an iPod, iPhone or iPad, and for which the developer has certified that it complies with Apple's performance standards. Apple shall not be liable for the operation of this device or its compliance with the safety standards and regulations. Note that using this accessory with an iPhone may impair the radio performance.

**Supplier****Vaillant Ltd.**

Nottingham Road ■ Belper ■ Derbyshire ■ DE56 1JT

Telephone 0330 100 3143

info@vaillant.co.uk ■ www.vaillant.co.uk



0020212889\_02

**Publisher/manufacture****Vaillant GmbH**

Berghauser Str. 40 ■ D-42859 Remscheid

Tel. +49 2191 18 0 ■ Fax +49 2191 18 2810

info@vaillant.de ■ www.vaillant.de

© These instructions, or parts thereof, are protected by copyright and may be reproduced or distributed only with the manufacturer's written consent.

Subject to technical modifications.