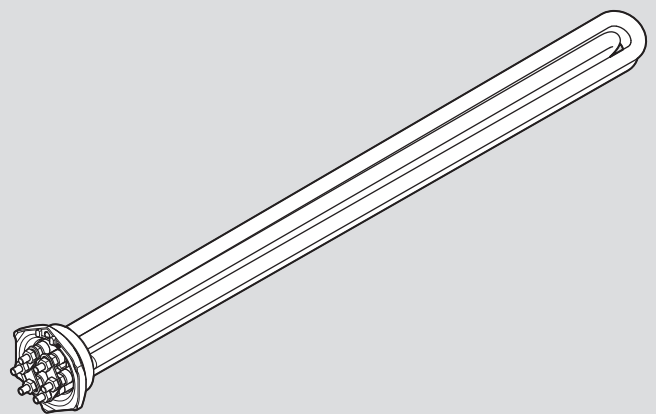




# Immersion Heater, 7,5 kW -R1



# Installation instructions

## Contents

<b>1</b>	<b>Safety</b> .....	<b>3</b>
1.1	Intended use .....	3
1.2	General safety information .....	3
1.3	Regulations (directives, laws, standards) .....	3
<b>2</b>	<b>Notes on the documentation</b> .....	<b>4</b>
2.1	Observing other applicable documents .....	4
2.2	Storing documents .....	4
2.3	Validity of the instructions .....	4
<b>3</b>	<b>Product description</b> .....	<b>4</b>
3.1	Product design .....	4
3.2	CE marking .....	4
3.3	UKCA mark .....	4
3.4	Hot Water Association .....	4
<b>4</b>	<b>Set-up</b> .....	<b>4</b>
4.1	Checking the scope of delivery .....	4
4.2	Installing the immersion heater .....	4
<b>5</b>	<b>Installation</b> .....	<b>5</b>
5.1	Electrical installation .....	5
5.2	Establishing the power supply .....	5
<b>6</b>	<b>Start-up</b> .....	<b>5</b>
6.1	Starting up the electrical immersion heater .....	5
<b>7</b>	<b>Troubleshooting</b> .....	<b>5</b>
7.1	Safety cut-out .....	5
<b>8</b>	<b>Decommissioning</b> .....	<b>5</b>
8.1	Decommissioning the product .....	5
8.2	Disposing of the packaging .....	5
<b>9</b>	<b>Customer service</b> .....	<b>6</b>
9.1	Customer service .....	6
<b>10</b>	<b>Technical data</b> .....	<b>6</b>

# 1 Safety

## 1.1 Intended use

There is a risk of injury or death to the user or others, or of damage to the product and other property in the event of improper use or use for which it is not intended.

The immersion heater serves as an optional second heat source in the event that your heat generator is unable to cover your domestic hot water requirements. It is specially designed as a back-up heating system for the VIH RW GB 800 BES domestic hot water cylinder.

- observance of accompanying operating, installation and maintenance instructions for the product and any other system components
- installing and setting up the product in accordance with the product and system approval
- compliance with all inspection and maintenance conditions listed in the instructions.

Intended use also covers installation in accordance with the IP code.

Any other use that is not specified in these instructions, or use beyond that specified in this document, shall be considered improper use. Any direct commercial or industrial use is also deemed to be improper.

### Caution.

Improper use of any kind is prohibited.

## 1.2 General safety information

### 1.2.1 Risk caused by inadequate qualifications

The following work must only be carried out by competent persons who are sufficiently qualified to do so:

- Set-up
- Dismantling
- Installation
- Start-up
- Inspection and maintenance
- Repair
- Decommissioning
- ▶ Proceed in accordance with current technology.

### 1.2.2 Risk of death from electric shock

There is a risk of death from electric shock if you touch live components.

Before commencing work on the product:

- ▶ Disconnect the product from the power supply by switching off all power supplies at all poles (electrical partition with a contact gap of at least 3 mm, e.g. fuse or circuit breaker).
- ▶ Secure against being switched back on again.
- ▶ Check that there is no voltage.

### 1.2.3 Risk of material damage caused by frost

- ▶ Do not install the product in rooms prone to frost.

### 1.2.4 Risk of burns or scalding caused by hot components

- ▶ Only carry out work on these components once they have cooled down.

### 1.2.5 Risk of material damage caused by using an unsuitable tool

- ▶ Use the correct tool.

## 1.3 Regulations (directives, laws, standards)

- ▶ Observe the national regulations, standards, directives, ordinances and laws.

## 2 Notes on the documentation

### 2.1 Observing other applicable documents

- ▶ Always observe all the operating and installation instructions included with the system components.

### 2.2 Storing documents

- ▶ Pass these instructions and all other applicable documents on to the end user.

### 2.3 Validity of the instructions

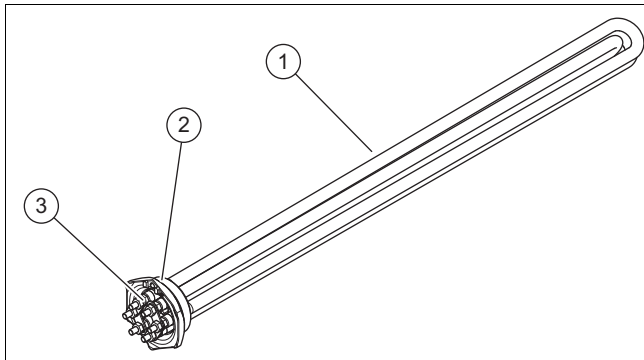
These instructions apply only to:

#### Product article number

Immersion Heater, 7.5 kW -R1	0020235671
------------------------------	------------

## 3 Product description

### 3.1 Product design



- 1 Heating coil                      3 Electrical connection  
2 Seal

### 3.2 CE marking



The CE marking shows that the products comply with the basic requirements of the applicable directives as stated on the declaration of conformity.

The declaration of conformity can be viewed at the manufacturer's site.

### 3.3 UKCA mark



The UKCA marking shows that the products comply with the basic requirements of the applicable directives as stated on the declaration of conformity.

The declaration of conformity can be viewed at the manufacturer's site.

## 3.4 Hot Water Association

Vaillant is a full member of the Hot Water Association and promotes the scheme in association with its cylinder range. Details are available on the web site [www.vaillant.co.uk](http://www.vaillant.co.uk)



The HWA Charter's Code of Practice requires that all members adhere to the following:

- To supply fit for purpose products clearly and honestly described
- To supply products that meet, or exceed appropriate standards and building and water regulations
- To provide pre and post sales technical support
- To provide clear and concise warranty details to customers

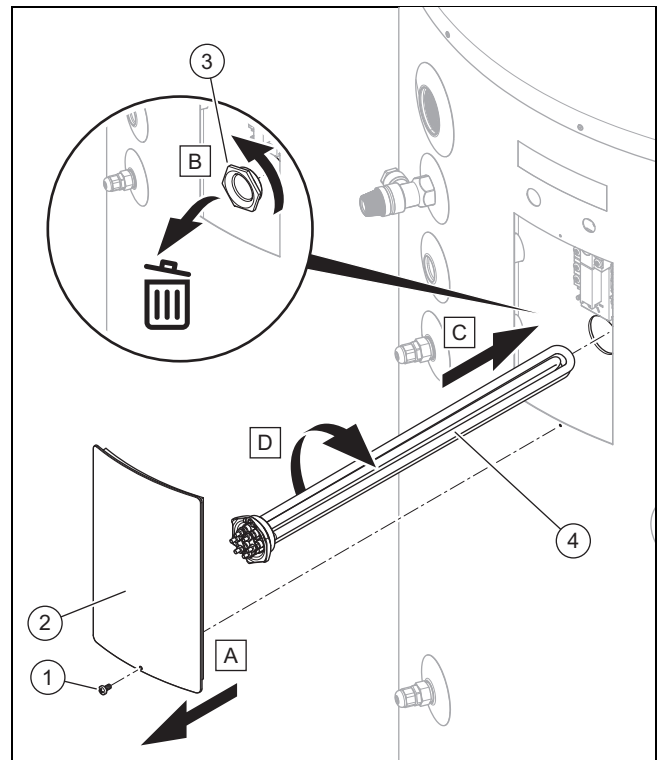
## 4 Set-up

### 4.1 Checking the scope of delivery

- ▶ Check that the scope of delivery is complete and intact.

Number	Designation
1	Immersion heater (including seal)

### 4.2 Installing the immersion heater



1. Unscrew the screw (1).
2. Remove the cover (2) on the domestic hot water cylinder.
3. Remove the screw plug (3).
4. Screw the immersion heater (4) into the thread provided.

- Ensure that the seal is positioned correctly on the immersion heater.

## 5 Installation

### 5.1 Electrical installation

Only qualified electricians may carry out the electrical installation.



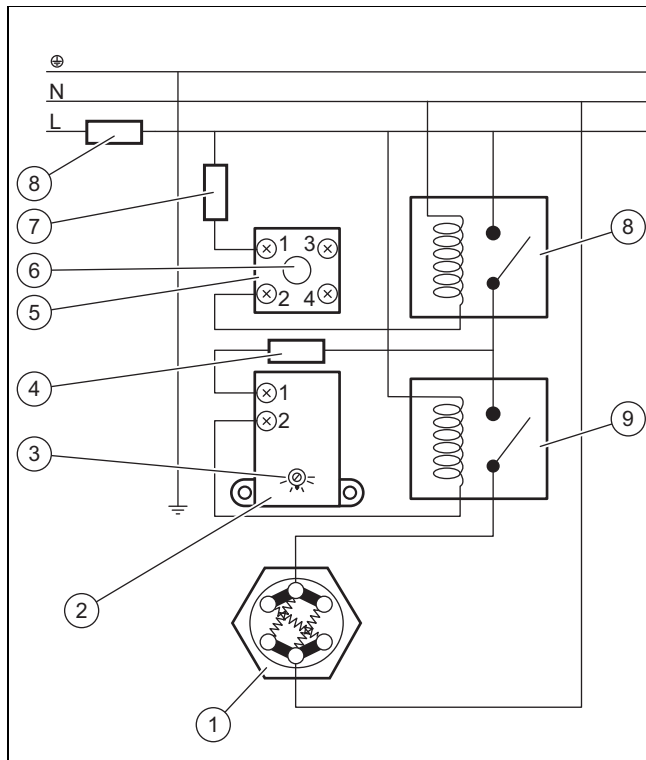
#### Danger!

#### Risk of death from electric shock!

The power supply terminals L and N remain live even if the product is switched off:

- ▶ Switch off the power supply.
- ▶ Secure the power supply against being switched back on.

### 5.2 Establishing the power supply



1	Immersion heater	6	Reset button
2	Thermostat for the immersion heater	7	Fuse
3	Temperature control for the immersion heater	8	Fuse
4	Fuse	9	40 A contactor
5	Safety cut-out	10	40 A contactor

- ▶ Connect the immersion heater in accordance with the connection diagram.
- ▶ Install the cover on the domestic hot water cylinder.

The immersion heater must be permanently connected to the mains power via a two-pole switch with a minimum switching capacity in accordance with local regulations and standards (fuse 1).

The safety cut-out and thermostat must be permanently connected to the mains power via a two-pole switch with a min-

imum breaking capacity in accordance with local regulations and standards (fuse 2).

The safety cut-out and thermostat must be permanently and firmly connected to the mains power via a contactor with a minimum breaking capacity of 40 A.

## 6 Start-up

### 6.1 Starting up the electrical immersion heater

1. Fill the domestic hot water cylinder.
2. Check the immersion heater's screwed connection for tightness.
3. Switch on the power supply.

## 7 Troubleshooting

### 7.1 Safety cut-out

#### Function

If the water temperature in the cylinder rises above 90 °C, the safety cut-out (SCO) switches off the power supply.

#### Triggering the safety cut-out

The safety cut-out triggers if:

- The wiring is incorrect
- The immersion heater is defective
- The temperature at the thermostat is set too high
- The thermostat is defective.

#### Resetting the safety cut-out

- ▶ Reduce the temperature at the thermostat.
- ▶ Press the reset button.

If the immersion heater still does not work, replace it

## 8 Decommissioning

### 8.1 Decommissioning the product

1. Disconnect the power supply.
2. Drain the domestic hot water cylinder.
3. Remove the cover on the domestic hot water cylinder for the immersion heater..
4. Remove the electrical immersion heater.
5. Install the cover.

### 8.2 Disposing of the packaging

- ▶ Dispose of the packaging correctly.
- ▶ Observe all relevant regulations.
- ▶ For detailed information refer to [www.vaillant.co.uk](http://www.vaillant.co.uk).

## 9 Customer service

### 9.1 Customer service

For contact details for our customer service department, you can write to the address that is provided on the back page, or you can visit [www.vaillant.co.uk](http://www.vaillant.co.uk).

## 10 Technical data

	<b>Immersion Heater 7.5 kW -R1</b>
<b>Nominal output</b>	7.5 kW
<b>Voltage and frequency of the power supply</b>	Single-phase, 230 V~, 50 Hz
<b>Resistance, min.–max</b>	6.65–7.76 $\Omega$
<b>Domestic hot water operating temperature</b>	10 to 90 °C



**Supplier**

**Vaillant Group UK Ltd.**

Nottingham Road ■ Belper ■ Derbyshire ■ DE56 1JT ■ Great Britain

Telephone 0330 100 3143

info@vaillant.co.uk ■ www.vaillant.co.uk



8000030505\_00

**Publisher/manufacture**

**Vaillant GmbH**

Berghauser Str. 40 ■ 42859 Remscheid ■ Deutschland

Tel. +49 (0)2191 18 0 ■ Fax +49 (0)2191 18 2810

info@vaillant.de ■ www.vaillant.de

© These instructions, or parts thereof, are protected by copyright and may be reproduced or distributed only with the manufacturer's written consent.

Subject to technical modifications.