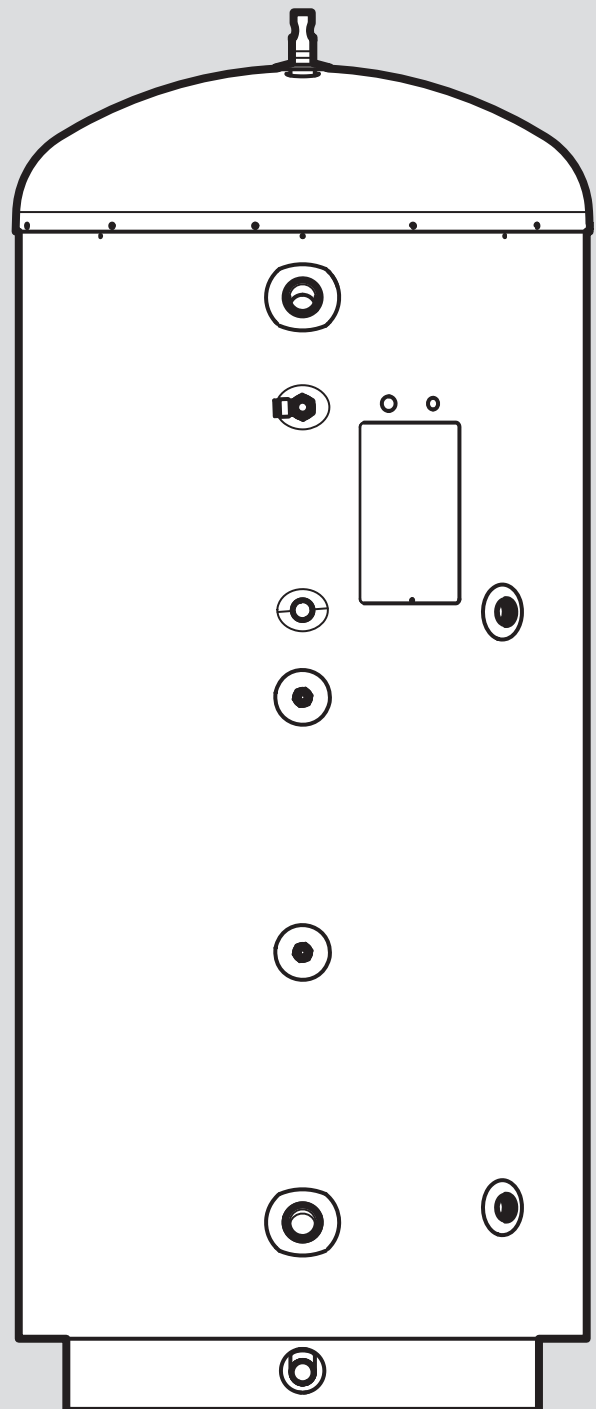


uniSTOR

VIH RW GB 500 BES
VIH RW GB 800 BES



Installation and maintenance instructions

Contents

1	Safety	3
1.1	Action-related warnings	3
1.2	Risk caused by inadequate qualifications.....	3
1.3	Intended use	3
1.4	General safety information	3
1.5	Regulations (directives, laws, standards).....	4
2	Notes on the documentation	5
2.1	Observing other applicable documents	5
2.2	Storing documents.....	5
2.3	Validity of the instructions	5
2.4	Benchmark.....	5
3	Product description	5
3.1	Serial number	5
3.2	Information on the data plate	5
3.3	CE marking	5
3.4	Hot Water Association	6
4	Set-up	6
4.1	Observing the requirements for the product's installation site	6
4.2	Transport	6
4.3	Unpacking the product.....	7
4.4	Checking the scope of delivery.....	7
4.5	Product dimensions	7
4.6	Minimum clearances and installation clearances	8
5	Installation	8
5.1	Installing the product.....	8
5.2	Hydraulic connection	8
5.3	Electrical installation	11
6	Start-up	13
6.1	Setting the immersion heater thermostat.....	13
6.2	Cold water inlet pressure	14
6.3	Filling and purging the product	14
7	Handing the product over to the end user	14
8	Troubleshooting	14
8.1	Detecting and eliminating faults.....	14
8.2	Procuring spare parts	14
9	Inspection and maintenance	14
9.1	Observing inspection and maintenance intervals	14
9.2	Draining the product	14
9.3	Checking the safety group's expansion relief valve and the cylinder's expansion relief valve	14
9.4	Checking the pre-charge pressure of the expansion vessel	14
9.5	Checking the inside of the cylinder	15
10	Decommissioning the product	15
11	Customer service	15
Appendix	16	
A	Detecting and eliminating faults	16

B	Inspection and maintenance work – Overview	16
C	Technical data	17
D	Commissioning Checklist	19
	Index	22

1 Safety

1.1 Action-related warnings

Classification of action-related warnings

The action-related warnings are classified in accordance with the severity of the possible danger using the following warning symbols and signal words:

Warning symbols and signal words



Danger!

Imminent danger to life or risk of severe personal injury



Danger!

Risk of death from electric shock



Warning.

Risk of minor personal injury



Caution.

Risk of material or environmental damage

1.2 Risk caused by inadequate qualifications

The following work must only be carried out by competent persons who are sufficiently qualified to do so:

- Set-up
- Dismantling
- Installation
- Start-up
- Inspection and maintenance
- Repair
- Decommissioning
- ▶ Proceed in accordance with current technology.

1.3 Intended use

There is a risk of injury or death to the user or others, or of damage to the product and other property in the event of improper use or use for which it is not intended.

The product is intended as a system component for domestic hot water generation and storage for closed central heating installations.

- observance of accompanying operating, installation and maintenance instructions for the product and any other system components

- installing and setting up the product in accordance with the product and system approval
- compliance with all inspection and maintenance conditions listed in the instructions.

Intended use also covers installation in accordance with the IP code.

Any other use that is not specified in these instructions, or use beyond that specified in this document, shall be considered improper use. Any direct commercial or industrial use is also deemed to be improper.

Caution.

Improper use of any kind is prohibited.

1.4 General safety information

1.4.1 Risk of death due to lack of safety devices

The basic diagrams included in this document do not show all safety devices required for correct installation.

- ▶ Install the necessary safety devices in the installation.
- ▶ Observe the applicable national and international laws, standards and directives.

1.4.2 Risk of death from electric shock

There is a risk of death from electric shock if you touch live components.

Before commencing work on the product:

- ▶ Disconnect the product from the power supply by switching off all power supplies at all poles (electrical partition with a contact gap of at least 3 mm, e.g. fuse or circuit breaker).
- ▶ Secure against being switched back on again.
- ▶ Check that there is no voltage.

1.4.3 Risk of burns or scalding caused by hot components

- ▶ Only carry out work on these components once they have cooled down.

1.4.4 Risk of material damage caused by using an unsuitable tool

- ▶ Use the correct tool.



1.4.5 Risk of material damage caused by frost

- ▶ Do not install the product in rooms prone to frost.

1.4.6 Risk of injury due to the heavy weight of the product

- ▶ Make sure that the product is transported by at least two people.

1.5 Regulations (directives, laws, standards)

- ▶ Observe the national regulations, standards, directives, ordinances and laws.



2 Notes on the documentation

2.1 Observing other applicable documents

- ▶ Always observe all the operating and installation instructions included with the system components.

2.2 Storing documents

- ▶ Pass these instructions and all other applicable documents on to the end user.

2.3 Validity of the instructions

These instructions apply only to:

Product article number

VIH RW GB 500 BES	0010019228
VIH RW GB 800 BES	0010019229

2.4 Benchmark

Vaillant is a licensed member of the Benchmark Scheme.

Benchmark places responsibilities on both manufacturers and installers. The purpose is to ensure that customers are provided with the correct equipment for their needs, that it is installed, commissioned and serviced in accordance with the manufacturer's instructions by a competent person approved at the time by the Health and Safety Executive and that it meets the requirements of the appropriate Building Regulations. The Benchmark Checklist can be used to demonstrate compliance with Building Regulations and should be provided to the customer for future reference.

Installers are required to carry out installation, commissioning and servicing work in accordance with the Benchmark Code of Practice which is available from the Heating and Hotwater Industry Council who manage and promote the Scheme.

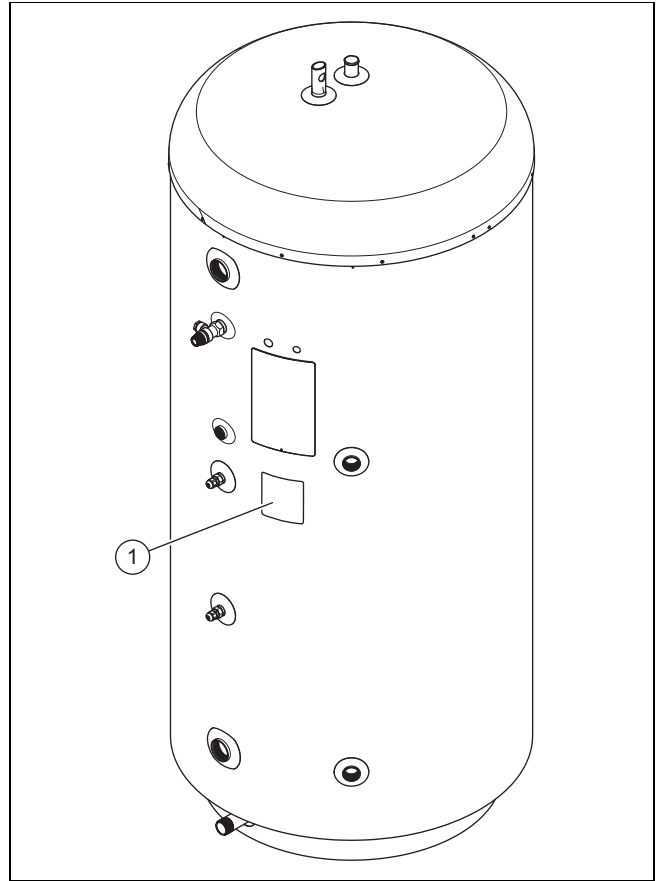
Benchmark is managed and promoted by the Heating and Hotwater Industry Council.



For more information visit www.benchmark.org.uk.

3 Product description

3.1 Serial number



You can find the serial number on the data plate (1), which is located on the cylinder below the electronics box.

3.2 Information on the data plate

The data plate is attached to the product at the factory.

The data plate keeps record of the country in which the product is to be installed.

This product meets the requirements of standard EN 12897:2016.

3.3 CE marking



The CE marking shows that the products comply with the basic requirements of the applicable directives as stated on the declaration of conformity.

The declaration of conformity can be viewed at the manufacturer's site.

3.4 Hot Water Association

Vaillant is a full member of the Hot Water Association and promotes the scheme in association with its cylinder range. Details are available on the web site www.vaillant.co.uk



The HWA Charter's Code of Practice requires that all members adhere to the following:

- To supply fit for purpose products clearly and honestly described
- To supply products that meet, or exceed appropriate standards and building and water regulations
- To provide pre and post sales technical support
- To provide clear and concise warranty details to customers

4 Set-up

4.1 Observing the requirements for the product's installation site



Caution.
Material damage due to frost

If the water in the system freezes, there is a risk of damage to the domestic hot water cylinder.

- ▶ Install the cylinder in a dry, permanently frost-free room.



Caution.
Material damage due to escaping water

In the event of damage, water may escape from the cylinder.

- ▶ Select the installation site so that, in the event of damage, large volumes of water can be drained safely (e.g. into a floor drain).



Caution.
Material damage due to high load

When filled, the cylinder may damage the ground on which it stands due to its weight.

- ▶ Take into consideration the weight of the filled cylinder and the load-bearing capacity of the floor.
- ▶ If required, reinforce the installation area.

Select a sensible installation site and take into consideration the routing of the pipework system.

Install the cylinder as close as possible to the heat generator in order to minimise heat losses.

Set up the product in a suitable location in a room and, when doing so, pay attention to the following points:

- Plan the installation of the tundish. (→ Page 10)
- The installation surface must be even and have sufficient load-bearing capacity to support the total weight of the product.
- The installation site must be frost-free.
- Install the product in such a way that the thermostat and immersion heater can be accessed easily.
- Leave sufficient space around the product for installing, maintaining and replacing the expansion vessel.

To prevent heat losses, the pipework system must have heat insulation in accordance with the applicable energy-saving regulations.

4.2 Transport



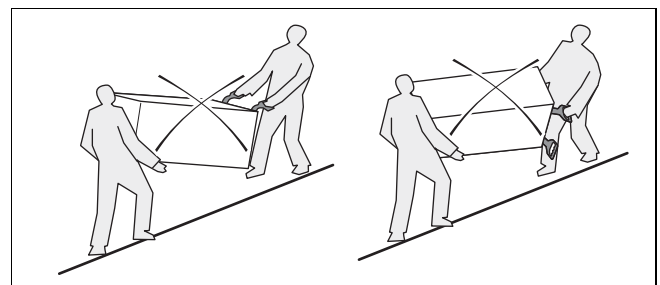
Caution.
Risk of material damage caused by incorrect transport.

The components attached to the cylinder must not be used to transport the cylinder. Otherwise there is a risk that the cylinder could malfunction.

- ▶ Do not use the components attached to the cylinder to transport it.



Always transport the unit as illustrated above.

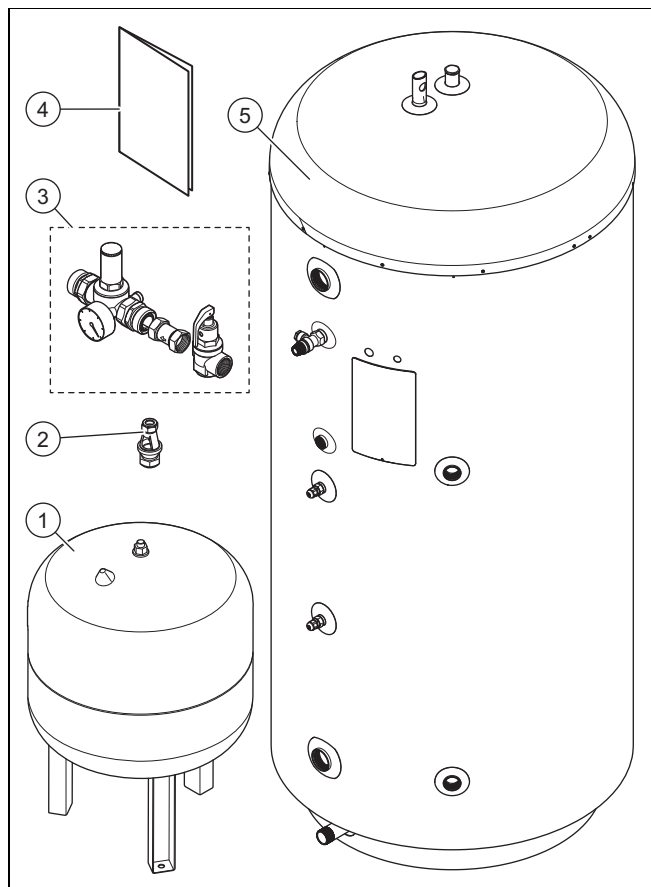


Never transport the unit while it is horizontal.

4.3 Unpacking the product

- ▶ Remove the frame and protective film from all of the product's components.

4.4 Checking the scope of delivery

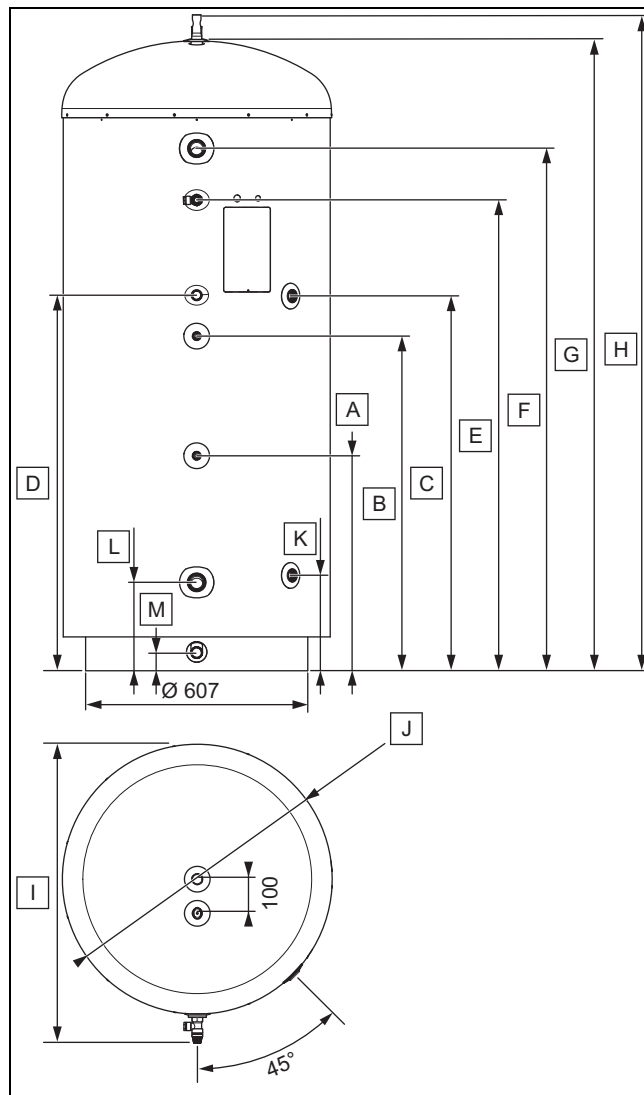


- ▶ Check that the scope of delivery is complete.

Legend point	Quantity	Description
1	1	Expansion vessel *
2	1	Tundish with retainer
3	1	Safety group *
4	1	Documentation records
5	1	Domestic hot water cylinder

*: Not included in the product's scope of delivery, but is available as an accessory

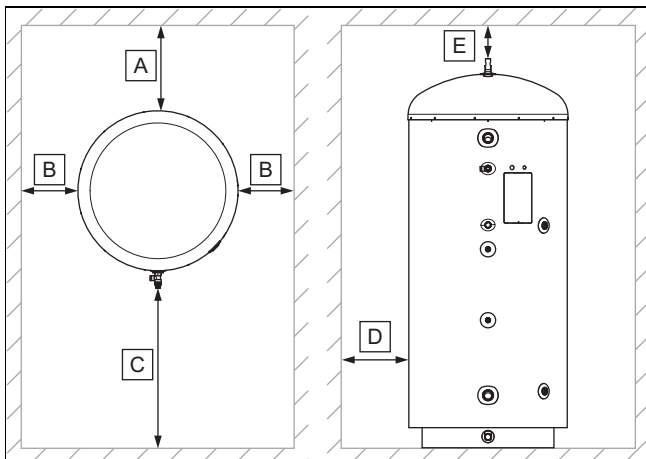
4.5 Product dimensions



Dimensions (mm)

	VIH RW GB 500 BES	VIH RW GB 800 BES
A	629	745
B	979	1,190
C	1,099	1,130
D	1,099	1,280
E	1,379	1,380
F	1,529	1,480
G	1,843	1,871
H	1,919	1,908
I	872	1,071
J	785	986
K	278	310
L	259	310
M	53	85

4.6 Minimum clearances and installation clearances



Reference point	VIH RW GB 500 BES	VIH RW GB 800 BES
A	25 mm	25 mm
B	25 mm	25 mm
C	500 mm	500 mm
D	n/a	500 mm
E	25 mm	25 mm

5 Installation

5.1 Installing the product

- Align the product horizontally.

5.2 Hydraulic connection



Caution.

Risk of damage caused by heat transfer when welding.

The heat that is transferred during welding may damage the cylinder and its components as well as the connection seals.

- Protect the product and its components.
- Do not weld the connection pieces if these have been screwed into the pipe fittings.



Caution.

Risk of material damage by drilling through the product.

The product may be damaged by drilling work.

- Do not drill through the product.

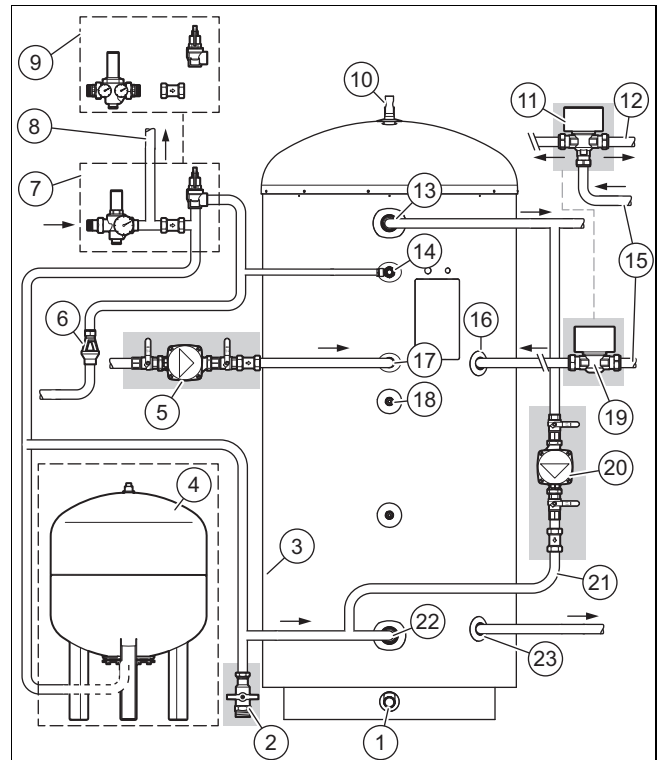


Caution.

Risk of material damage to the cylinder.

If an unvented hot water cylinder is fitted at a high level (eg, loft space), potential damage to the cylinder may occur if the correct method of draining is not followed.

- In certain circumstances and at the discretion of the installer, install a WRAS approved automatic air vent on the hot water outlet at the highest point.



- | | | | |
|----|---|----|--|
| 1 | Cylinder draining point | 11 | Optional connection method – 3-port motorised valve
(Not included in the scope of delivery for the product) |
| 2 | Drain valve system
(Not included in the scope of delivery for the product) | 12 | Heating circuit heating flow |
| 3 | Inspection opening
(Only 800 l) | 13 | Domestic hot water connection |
| 4 | Expansion vessel
(Available as an accessory) | 14 | Temperature and pressure expansion relief valve |
| 5 | Secondary return pump
(Not included in the scope of delivery for the product) | 15 | Heat generator heating flow |
| 6 | Tundish | 16 | Cylinder heating inlet |
| 7 | Safety assembly
(Available as an accessory) | 17 | Connecting the secondary circuit
(Not included in the scope of delivery for the product) |
| 8 | Cold water with equal pressure | 18 | Temperature sensor |
| 9 | Safety assembly, only 2", supplied with additional manometer
(Available as an accessory) | 19 | 2-port motorised valve
(Not included in the scope of delivery for the product) |
| 10 | Fixed lifting eye
Manual air vent behind it | | |

20	Destratification pump (Not included in the scope of delivery for the product)	21	Destratification circuit (anti-legionella function)
		22	Cold water connection
		23	Cylinder heating return

5.2.1 Connecting the product to the primary circuit

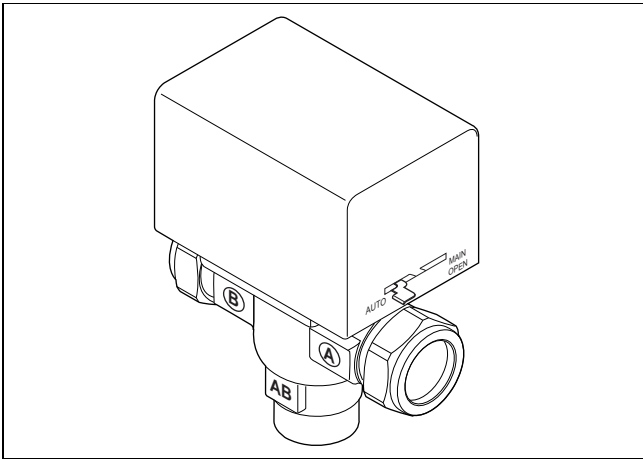
1. Connect the primary circuit to the cylinder's heating inlet (16) and the cylinder's heating outlet (23).
 - Minimum diameter of the copper pipe: ≥ 28 mm



Note

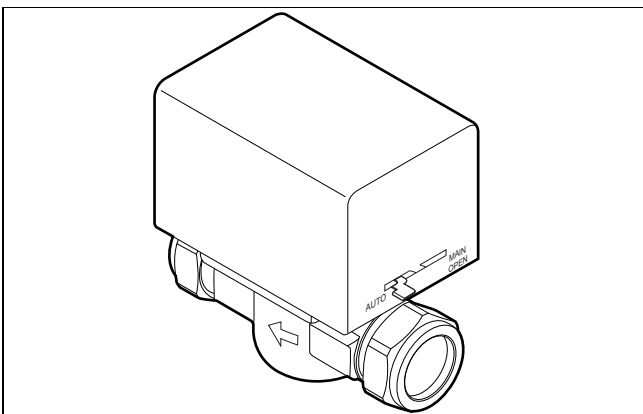
Ensure that the distance between the heat generator and the product is as small as possible in order to prevent heat losses.

Installing a 3-port motorised valve for heat pump systems



2. Connect AB to the heating flow on the heat pump (15), B to the flow on the heating circuit (12), and A to the heating inlet on the cylinder (16).
3. The 3-port motorised valve can be installed vertically or horizontally. For horizontal installation, align the valve head so that it is facing upwards.

Installing the 2-port motorised valve for installations that have a floor-standing boiler



4. Install the 2-port motorised valve at the heating coil's inlet or outlet.
5. For the 2-port motorised valve, follow the installation direction that is marked by an arrow.
6. The 2-port motorised valve can be installed vertically or horizontally. For horizontal installation, align the valve head so that it is facing upwards.

5.2.2 Installing the drain valve

The drain valve must be supplied by the customer.

Install the drain valve at the height of the cold water supply or further below this level.

5.2.3 Installing the safety group

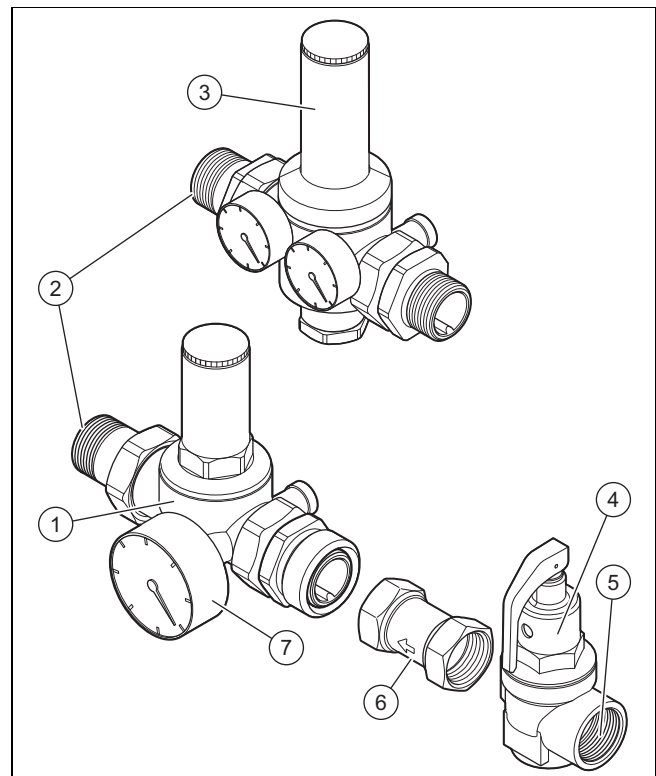


Caution.

Excessive pressure in the domestic hot water cylinder

Excessive pressure in the domestic hot water cylinder may cause the cylinder to burst.

- ▶ Ensure that the expansion relief valves are not blocked.
- ▶ Ensure that there is no isolation valve between the safety group and the cylinder.



- | | | | |
|---|---|---|---------------------------------|
| 1 | Pressure reducer set
(1", 1.25", 1.5") | 4 | Expansion relief valve |
| 2 | Cold water connection | 5 | Expansion relief valve
drain |
| 3 | Pressure reducer
(optional)
(only 2") | 6 | Non-return valve |
| | | 7 | Manometer (optional) |

1. Before installation, flush the pipes in order to clear any contamination and prevent the build up of dirt.
2. Install the safety group horizontally and install the expansion relief valve so that it is facing upwards.
3. Note the flow direction, which is specified by an arrow.
4. Connect the safety group to the drain cock. Consult the table below to find out the length to which the pipe should be cut.

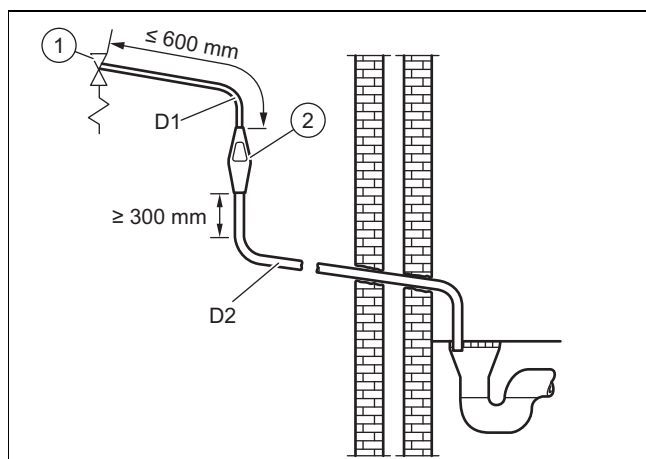
Size of the cylinder	Pipe length	Pre-charge pressure of the expansion vessel
500	700 mm	0.3 MPa (3.0 bar)
800	700 mm	0.3 MPa (3.0 bar)

- Install a pipe between the safety assembly's connection (4) and the temperature and pressure relief valve. Use a T-piece for this. The pipe system must continuously slope downwards, must be visible and must be protected against frost. There must be no risk of injury to persons.
 - Diameter of the pipe: 22 mm
 - Length of the pipe between the temperature and pressure relief valve and the expansion relief valve (4) (→ Page 10): ≤ 600 mm
- Connect the cold water supply to the safety group (2).

5.2.4 Installing an expansion vessel

- Install the expansion vessel close to the product.
- Install a pipe at the expansion vessel and connect the terminal to the safety assembly (6).

5.2.5 Installing a drain pipe



1 Temperature and pressure relief valve 2 Tundish

The drain connections of the temperature and pressure relief valve and the expansion relief valve must be connected to the supplied tundish via 22-mm-thick copper pipes. The tundish must be installed vertically, as close to the cylinder as possible and with a maximum clearance of 600 mm from the connection of the temperature and pressure relief valve. It must be installed in the same room as the cylinder, but at a sufficient distance from electrical components. The drain pipes from the temperature and pressure relief valve and from the expansion relief valve can be connected above the tundish using a T-piece. The drain pipe from the 28 mm connection of the tundish must consist of copper pipes with a diameter of at least 28 mm and be connected to a safe and visible drainage point. The vertical section of pipe beneath the tundish must be at least 300 mm long before any bends or diversions in the line. If the total resistance of the drain pipework exceeds the values in the following table, you must increase the diameter of the pipework. When installing the drain pipework, comply with the standards, directives and laws that are applicable in your country.

Size of the outlet valve	Minimum diameter of the drain pipe D1	Minimum diameter of the drain pipe from the tundish D2	Maximum permissible resistance, information on the length of a straight pipe	Resistance per elbow or bend
1/2"	15 mm	22 mm	9 m	0.8 m
		28 mm	≤ 18 m	1.0 m
		35 mm	≤ 27 m	1.4 m
3/4"	22 mm	28 mm	≤ 9 m	1.0 m
		35 mm	≤ 18 m	1.4 m
		42 mm	≤ 27 m	1.7 m
1"	28 mm	35 mm	≤ 9 m	1.4 m
		42 mm	≤ 18 m	1.7 m
		54 mm	≤ 27 m	2.3 m

Sample calculation

The following example corresponds to a temperature and pressure relief valve G1/2 with a drain pipe (D2) with four 22 mm elbows and a length of 7 m from the tundish to the drainage point. According to the table, the maximum permissible resistance for a straight length of a 22-mm-thick copper discharge pipe (D2) of a thermal expansion relief valve G1/2 is 9.0 m. The resistance of the four 22 mm elbows, which are each 0.8 m in length, must be subtracted from this, i.e. a total of 3.2 m. The maximum permitted length is accordingly 5.8 m and is therefore below the current length of 7 m. The calculation must therefore be performed using the second largest size. The maximum permissible resistance for a straight length of a 28-mm-thick pipe (D2) of a thermal expansion relief valve G1/2 is 18 m. The resistance of the four 28 mm elbows, which are each 1.0 m in length, must be subtracted from this, i.e. a total of 4.0 m. The maximum permitted length is accordingly 14 m. As the current length is 7 m, a 28 mm copper pipe (D2) should be selected.

A suitable location for the drain pipe terminal is, for example, beneath a fixed mesh above the odour trap in a soakaway with a siphon. Low drain pipework, for example up to 100 mm above external surfaces (car parks, meadows, etc.) can be used provided that it is protected by a wire cage or something similar to prevent persons from coming into contact with the waste water and provided that the system is not visible. Do not install any valves or stopcocks on the drain pipework.

Make sure that the drain pipe from the tundish to the drain has a constant downward gradient of at least 1:200.

5.2.5.1 Discharges at great heights

Discharges at great heights are permissible, e.g.:

- into a metal hopper and metal downpipe with the end of the discharge pipe clearly visible, or
- onto a roof capable of withstanding high-temperature discharges of water and 3 m from any plastic guttering system that would collect such discharges.

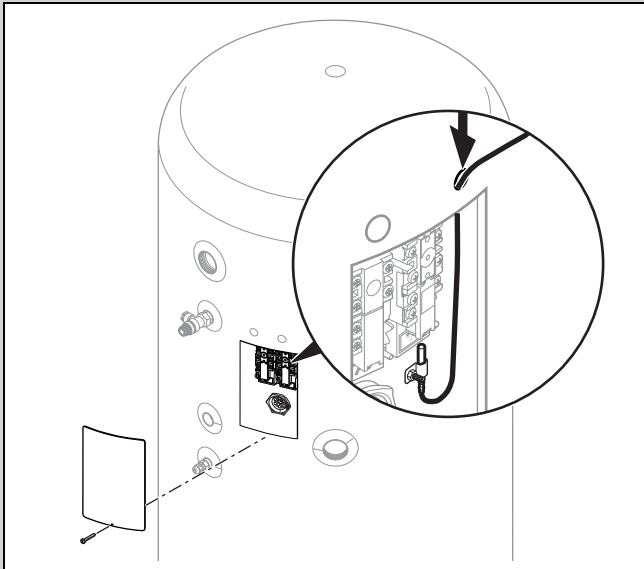
5.2.6 Installing the temperature sensor for the immersion heater



Note

The temperature sensor is used to control the immersion heater via a connection box or a control.

Condition: With connection box or control



► Secure the temperature sensor.

5.2.7 Installing the destratification circuit

- Read the section "Hydraulic connection" in order to install the destratification circuit. (→ Page 8)

5.2.8 Installing the thermostatic mixing valve

- Install a thermostatic mixing valve on the domestic hot water outlet if the basic system diagram requires this.

5.3 Electrical installation



Danger!

Risk of death from electric shock!

The power supply terminals L and N are live:

- Switch off the power supply.
- Secure the power supply against being switched back on.

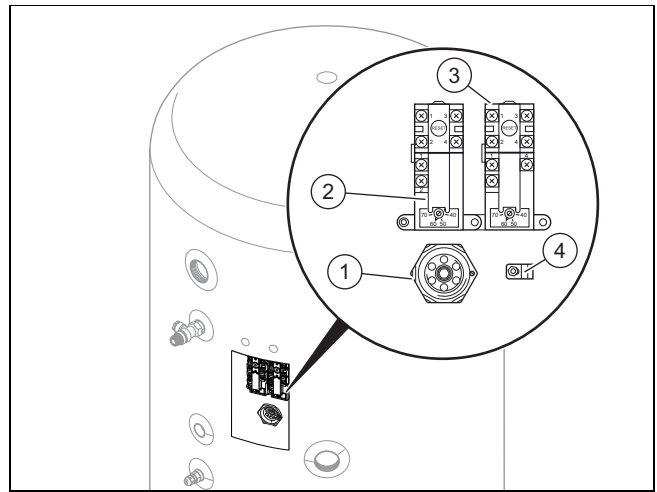


Caution.

Risk of material damage by drilling through the product.

The product may be damaged by drilling work.

- Do not drill through the product.

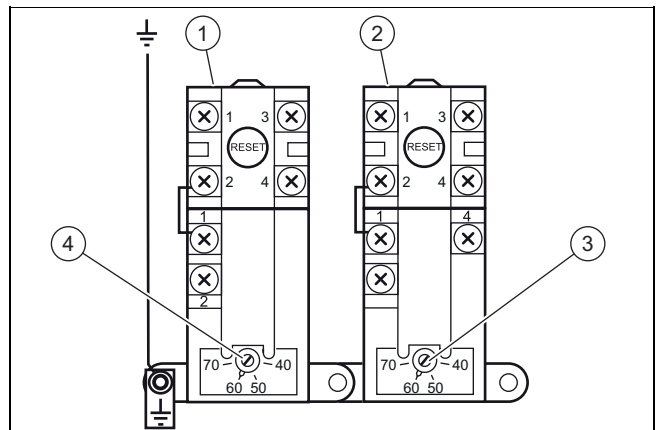


- | | | | |
|---|-------------------------------------|---|--|
| 1 | Immersion heater | 3 | Primary circuit thermostat |
| 2 | Thermostat for the immersion heater | 4 | Retainer for additional temperature sensor |

5.3.1 Optional combination of thermostats

Use the wiring diagram in the system instructions for the installation.

5.3.2 Thermostats

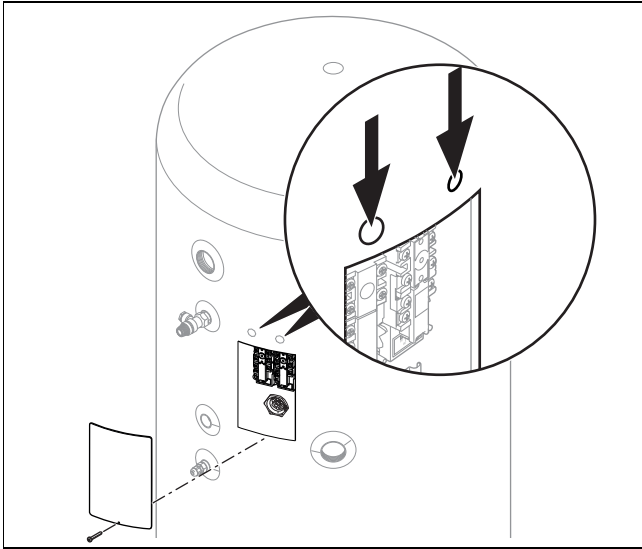


- | | | | |
|---|---|---|--|
| 1 | Thermal cut-out and reset knob for the immersion heater | 3 | Setting the temperature of the primary circuit |
| 2 | Thermal cut-out and reset knob for the primary circuit | 4 | Temperature control for the immersion heater |

Only use the supplied thermostat or the spare part supplied by Vaillant.

The thermostat connections make it possible to install a connection box in addition to the Vaillant control.

5.3.3 Cable route



- ▶ Use the cable ducts that are included in the scope of delivery for the cylinder in the electronics box.

5.3.4 Connecting the immersion heater to the power supply



Note

Relay and switch must be rated to maximum supply amps.

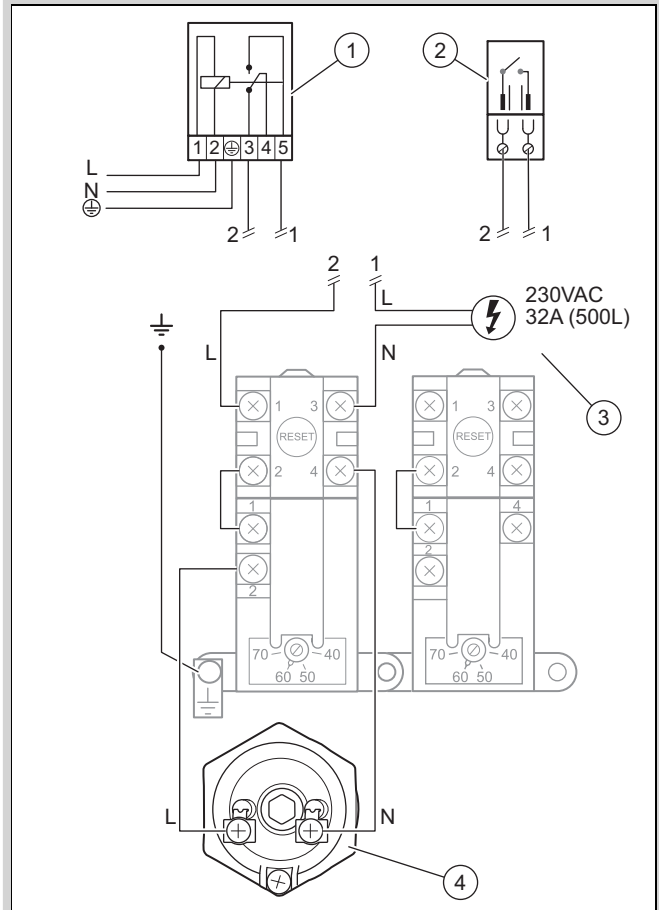
From **Vaillant** heat pump control (see appropriate schematic for wiring configuration).



Note

The following basic diagram refers only to the 5 kW immersion heater. You can find the wiring diagram for the 7.5 kW immersion heater in its installation instructions.

Condition: For 500 l cylinders only



- | | | | |
|---|---|---|---------------------------------|
| 1 | SPDT relay or timer with integrated relay (connection 1 or 2) | 2 | Switch for the immersion heater |
| 3 | Fused spur | 4 | Immersion heater |

- ▶ Remove the cover for the electrics on the cylinder.
- ▶ Install a separate power supply for the immersion heater in accordance with the applicable standards.
- ▶ Use heat-resistant cables for the immersion heater connection.
 - Cable diameter for 5 kW immersion heater: 4 mm²
 - Cable diameter for 7.5 kW immersion heater: 6 mm²
- ▶ Connect the thermal cut-out to the mains power supply using a double-pole disconnecter with a contact gap of at least 3 mm at both poles.
- ▶ Protect the electrical circuit using a fuse.
 - Fuse for 5 kW immersion heater: 23 A
 - Fuse for 7.5 kW immersion heater: Consult the instructions for the accessories.
- ▶ Connect the immersion heater as shown in the basic diagram. Consult the instructions for the accessories in order to connect the 7.5 kW immersion heater.
- ▶ Attach the cover for the electrics on the cylinder.

5.3.5 Electrical connection of the temperature sensor

Condition: With a multi-functional module or control

- ▶ Connect the temperature sensor to the multi-functional module or the control; to do this, see the instructions for the control or multi-functional module.

5.3.6 Connecting the control

Condition: eBUS

The thermal cut-out for the primary circuit is not used when connecting an eBUS unit.

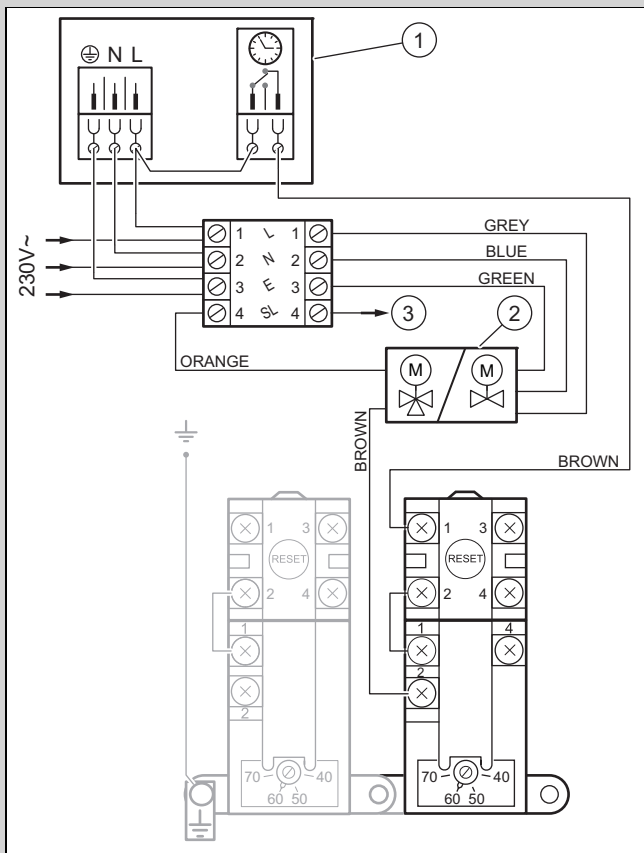
Condition: 230 V control

If you use a 230 V control from a third-party manufacturer, connect the thermal cut-out (2) and (3) for the primary circuit to the motorised valve to isolate the heat source in the event of a fault in the motorised valve.

5.3.7 Electric connection for the primary circuit

1. Connect the thermostat for the primary circuit and the thermal cut-out.
 - Diameter of the cable: 1.5 mm²

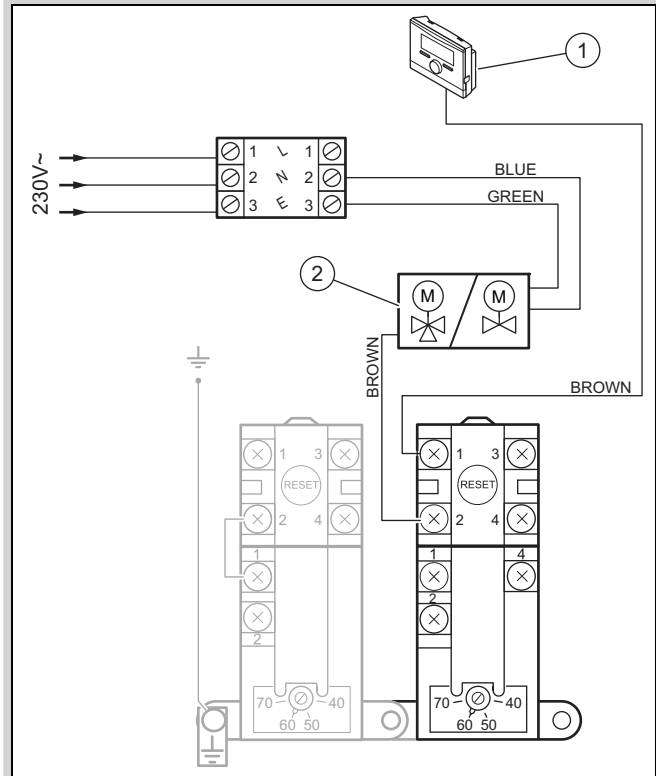
Condition: Installing a third-party control



- 1 Third-party control
- 2 3-port motorised valve/2-port motorised valve
- 3 Heat generator

► Connect the assembly.

Condition: Installation with a boiler

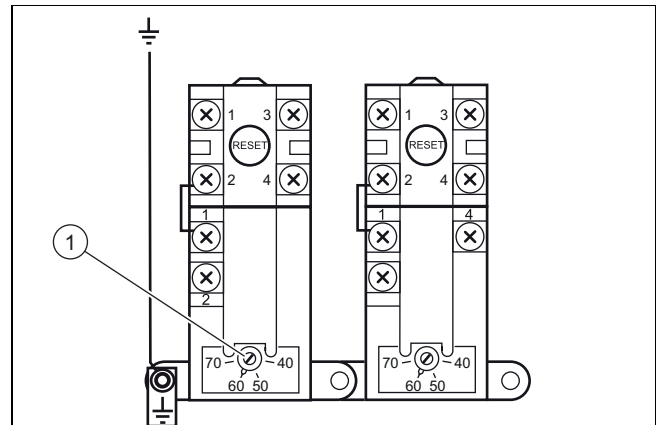


- 1 230 V signal for a Vaillant control
- 2 3-port motorised valve/2-port motorised valve

► Connect the assembly.

6 Start-up

6.1 Setting the immersion heater thermostat



The domestic hot water temperature is controlled via the immersion heater thermostat (1).

Condition: Without a multi-functional module or control

- Set the domestic hot water temperature as you require.

Condition: With a multi-functional module or control

- Set the thermostat for the immersion heater (1) to its maximum.

The temperature of the immersion heater is regulated via the temperature sensor that is installed on the carrier in the electronics box.

6.2 Cold water inlet pressure

The product's efficiency depends on the cold water inlet pressure.

To achieve optimum efficiency, we recommend a pressure of at least 2 bar.

6.3 Filling and purging the product



Note

It is not permitted to use valves or expansion relief valves for the purging.

1. Check whether the drain valve is closed.
2. Check whether the inspection flap has been closed correctly (800 l only).
3. Open the domestic hot water draw-off valves.
4. Open the water supply valve.
5. Open the manual air separator at the top of the cylinder.
6. Let the water flow in order to remove any air bubbles.
7. Close the manual air separator as soon as all of the air has escaped.
8. Close the domestic hot water draw-off valves.
9. Check whether there are any leaks. Check the immersion heater in particular.
10. Open the highest domestic hot water supply valve, and then the lowest domestic hot water supply valve, and let the water flow.
 - Water running time: ≥ 5 min
11. Close all of the draw-off valves.

7 Handing the product over to the end user

- ▶ Once the installation is complete, show the user the location and function of the safety devices.
- ▶ Inform the end user how to handle the product.
- ▶ In particular, draw attention to the safety warnings which the end user must follow.
- ▶ Inform the end user of the necessity to have the product maintained according to the specified intervals.

8 Troubleshooting

8.1 Detecting and eliminating faults

- ▶ If problems occur whilst operating the product, check certain points with the aid of the table in the appendix. Detecting and eliminating faults (→ Page 16)

8.2 Procuring spare parts

The original components of the product were also certified by the manufacturer as part of the declaration of conformity. If you use other, non-certified or unauthorised parts during maintenance or repair work, this may result in the product no longer meeting the applicable standards, thereby voiding the conformity of the product.

We strongly recommend that you use original spare parts from the manufacturer as this guarantees fault-free and safe operation of the product. To receive information about the available original spare parts, contact the contact address provided on the back page of these instructions.

- ▶ If you require spare parts for maintenance or repair work, use only the spare parts that are permitted for the product.

9 Inspection and maintenance

9.1 Observing inspection and maintenance intervals

Adhere to the minimum inspection and maintenance intervals. The inspection may require maintenance to be carried out earlier, depending on the results.

Inspection and maintenance work – Overview (→ Page 16)

The immersion heater can be removed in order to inspect the inside of the cylinder.

9.2 Draining the product

1. Close the cold water draw-off valve.
2. Secure a hose to the drain valve.
3. Position the hose at a suitable drain.
4. Open the highest hot water tap in the installation.
5. Open the drain valve and drain the product completely.
6. Close the hot water tap and the drain valve.
7. Remove the hose.

9.3 Checking the safety group's expansion relief valve and the cylinder's expansion relief valve

1. Open all expansion relief valves by turning the plug.
2. Check whether the water is flowing into the tundish.
3. Check that the expansion relief valves are in the correct position and then check the pressure.
4. Check and, if required, clean the pressure reducer.

9.4 Checking the pre-charge pressure of the expansion vessel

1. Drain the product. (→ Page 14)
2. Measure the pre-charge pressure of the expansion vessel at the vessel valve.

Condition: Pressure < 0.3 MPa (0.3 bar)

- ▶ Top up the expansion vessel in accordance with the static height of the heating installation, ideally with nitrogen, otherwise with air.
3. If water escapes from the valve of the expansion vessel, you must replace the expansion vessel.
 4. Fill and purge the product. (→ Page 14)

9.5 Checking the inside of the cylinder

Condition: On VIH RW GB 800 BES models

- ▶ Empty the cylinder.
- ▶ Check the cylinder's spiral immersion heaters for dirt.
 - ◀ If required, clean the cylinder's spiral immersion heaters.

1. Fill and purge the product. (→ Page 14)

10 Decommissioning the product

- ▶ Switch off the heat generator.
- ▶ Unplug the domestic hot water cylinder's mains plug.
- ▶ Close the cold-water stopcock.
- ▶ Drain the product. (→ Page 14)
- ▶ Remove the hydraulic connections and the temperature sensor.
- ▶ Remove the cables for the temperature sensor from the heat generator, control or multi-functional module.

11 Customer service

For contact details for our customer service department, you can write to the address that is provided on the back page, or you can visit www.vaillant.co.uk.

Appendix

A Detecting and eliminating faults

Fault	Possible cause	Remedy
No flow rate at the valve	<ol style="list-style-type: none"> 1. Water supply valve closed 2. Main filter blocked 3. Pressure reducer not installed correctly 	<ol style="list-style-type: none"> 1. Check and open the valve. 2. Close the water supply valve, clean the filter and the water pressure reducer. 3. Check whether the pressure reducer has been installed correctly.
Low flow rate and pressure at a valve	<ol style="list-style-type: none"> 1. Filter in cold water supply clogged 	<ol style="list-style-type: none"> 1. Close the cold water supply, clean the filter for the water pressure reducer.
Water from the valve is cold	<ol style="list-style-type: none"> 1. The cylinder was not set or is not operating. 2. The heat generator does not work. 3. The thermal cut-out was triggered. 4. Motorised valve does not work 5. The immersion heater does not work. 	<ol style="list-style-type: none"> 1. Check the thermostat or the room thermostat and, if required, set this. 2. Check the heat generator; a fault code is present. 3. Check and initialise the cylinder. 4. Check the valve's connections. 5. Set the thermostat or the room thermostat.
Domestic hot water temperature too high	<ol style="list-style-type: none"> 1. Use a thermometer to check the temperature; it must be between 60 and 65 °C. 2. Check the cabling. 3. Thermostat set too high 4. Defective thermostat 	<ol style="list-style-type: none"> 1. Install a mixer tap. 2. Repair the cable. 3. Reduce the temperature of the thermostat to 55 °C. 4. Replace the thermostat.
Irregular domestic hot water output at the valve	<ol style="list-style-type: none"> 1. Defective expansion vessel 2. Thermal control 	<ol style="list-style-type: none"> 1. Set the expansion vessel. 2. Interrupt the power supply of the product and heat generator, check the thermal cut-outs and replace these if you find any defects.
Continuous water leak (dripping)	<ol style="list-style-type: none"> 1. Expansion relief valve fault 2. Temperature and pressure relief valve fault. 	<ol style="list-style-type: none"> 1. Determine the part that is causing the continuous water leak. 2. Replace the defective parts.
Continuous water leak (flowing out quickly)	<ol style="list-style-type: none"> 1. Malfunction in the pressure reducer. 	<ol style="list-style-type: none"> 1. Check the pressure at the pressure reducer outlet. 2. Replace the pressure reducer if the pressure is above 3.5 bar.
Continuous water leak (flowing out quickly with hot water vapour)	<ol style="list-style-type: none"> 1. Temperature and pressure relief valve opened due to an excessively high temperature. 	<ol style="list-style-type: none"> 1. Switch off the power supply to the immersion heater. 2. If the immersion heater is not switched on, switch off the power supply to the cylinder. 3. Contact a competent person.

B Inspection and maintenance work – Overview

N°	Work	Maintenance-related interval
1	Check the connections for tightness.	Annually
2	Check the temperature and pressure expansion relief valve.	Annually
3	Check the expansion relief valve.	Annually
4	Check the pressure in the expansion vessel.	Annually
5	Check the domestic hot water output at the valve (if required, clean the filters).	Annually
6	Check the target domestic hot water temperature.	Annually
7	Fill out the cylinder's benchmark checklist.	Annually

C Technical data

Technical data – General

	VIH RW GB 500 BES	VIH RW GB 800 BES
Actual volumetric capacity	512.4 l	740.3 l
Hot water volumetric capacity in accordance with EN 12897	460 l	635 l
Maximum pressure of the heating tube coil during operation	0.35 MPa (3.50 bar)	0.35 MPa (3.50 bar)
Operating pressure	0.35 MPa (3.50 bar)	0.35 MPa (3.50 bar)
Maximum operating pressure	0.7 MPa (7.0 bar)	0.7 MPa (7.0 bar)
Pressure of the pressure reducer	0.35 MPa (3.50 bar)	0.35 MPa (3.50 bar)
Opening pressure in the expansion relief valve	0.6 MPa (6.0 bar)	0.6 MPa (6.0 bar)
Temperature and pressure expansion relief valve	0.7 MPa (7.0 bar)	0.7 MPa (7.0 bar)
Temperature and pressure expansion relief valve	90 °C	90 °C
Load pressure in the expansion vessel	0.3 MPa (3.0 bar)	0.3 MPa (3.0 bar)
Maximum temperature of the heating circuit	95 °C	95 °C
Maximum domestic hot water temperature	85 °C	85 °C
Heat loss (24 h), energy efficiency class: C	2.52 kWh	3 kWh
Reheating time in accordance with EN 12897	28.6 min	26.17 min
Reheating time (70%)	20 min	18.3 min
Reheating output	50.5 kW	74.5 kW
Flow rate	1,800 l/h	1,800 l/h
Pressure loss in the heat exchanger	30 mbar	20 mbar
Volume of the heat exchanger	29.0 l	44.0 l
Surface of the heat exchanger	4.70 m ²	7.00 m ²
Volume of the expansion vessel	50 l	80 l
Tilt dimension	1,958 mm	1,953 mm
Net weight	141 kg	231 kg
Weight including heating water and domestic hot water	682.4 kg	1,015.3 kg

Technical data – Hydraulic connection

	VIH RW GB 500 BES	VIH RW GB 800 BES
Diameter of the cold water supply pipe	1 1/2"	1 1/2"
Hot water outlet	1 1/2"	1 1/2"
Heat generator heating flow	1 1/2"	1 1/2"
Heat generator heating return	1 1/2"	1 1/2"
Secondary circuit return	3/4"	3/4"

	VIH RW GB 500 BES	VIH RW GB 800 BES
Temperature dry pocket	8 mm	8 mm
Diameter of the immersion heater	1 1/4"	1 1/4"

Technical data – Electrics

	VIH RW GB 500 BES	VIH RW GB 800 BES
Connecting the immersion heater to the power supply	230 V / 50 Hz	230 V / 50 Hz
Output of the immersion heater	5 kW	7.5 kW Note Optional
3-port valve	230/240 V, 50Hz	230/240 V, 50Hz
Thermostat	230/240 V, 50Hz	230/240 V, 50Hz
IP rating	21	21

Technical data – Material

	VIH RW GB 500 BES	VIH RW GB 800 BES
Cylinder material	Stainless steel (1.4521)	Stainless steel (1.4521)
Insulation material	Glass wool	Glass wool
Insulation thickness	65 mm	100 mm
Propellant for insulating material	GWP < 5	GWP < 5
ODP	0	0

Benchmark Commissioning and Servicing Section

It is a requirement that the cylinder is installed and commissioned to the manufacturers instructions and the data fields on the commissioning checklist completed in full.

To instigate the cylinder guarantee the cylinder needs to be registered with the manufacturer within one month of the installation.

To maintain the cylinder guarantee it is essential that the cylinder is serviced annually by a competent person who has been trained on the cylinder installed. The service details should be recorded within Benchmark.



www.benchmark.org.uk

SERVICE RECORD

It is recommended that your hot water system is serviced regularly and that the appropriate Service Record is completed.

Service Provider

Before completing the appropriate Service Record below, please ensure you have carried out the service as described in the manufacturer's instructions.

SERVICE 1 Date _____
Engineer Name _____
Company Name _____
Telephone Number _____
Comments _____

Signature _____

SERVICE 2 Date _____
Engineer Name _____
Company Name _____
Telephone Number _____
Comments _____

Signature _____

SERVICE 3 Date _____
Engineer Name _____
Company Name _____
Telephone Number _____
Comments _____

Signature _____

SERVICE 4 Date _____
Engineer Name _____
Company Name _____
Telephone Number _____
Comments _____

Signature _____

SERVICE 5 Date _____
Engineer Name _____
Company Name _____
Telephone Number _____
Comments _____

Signature _____

SERVICE 6 Date _____
Engineer Name _____
Company Name _____
Telephone Number _____
Comments _____

Signature _____

SERVICE 7 Date _____
Engineer Name _____
Company Name _____
Telephone Number _____
Comments _____

Signature _____

SERVICE 8 Date _____
Engineer Name _____
Company Name _____
Telephone Number _____
Comments _____

Signature _____

SERVICE 9 Date _____
Engineer Name _____
Company Name _____
Telephone Number _____
Comments _____

Signature _____

SERVICE 10 Date _____
Engineer Name _____
Company Name _____
Telephone Number _____
Comments _____

Signature _____

Index

A	
Article number	5
B	
Basic diagram.....	3
C	
CE marking.....	5
Checking the pre-charge pressure of the expansion vessel	14
Competent person.....	3
D	
Data plate	5
Decommissioning	15
Decommissioning the product.....	15
Documents	5
Drain pipe	10
Drain valve	9
Draining the product	14
E	
Electricity	3
F	
Filling and purging the product.....	14
Frost	4
H	
Handing over to the end user	14
I	
Inspection work	14, 16
Installation clearances.....	8
Intended use.....	3
M	
Maintenance work	14
Minimum clearances	8
P	
Product dimensions.....	7
Q	
Qualification.....	3
R	
Regulations	4
S	
Safety device.....	3
Safety group	9
Serial number	5
Spare parts.....	14
T	
Tool	3
Transport	4
Troubleshooting.....	14
U	
Unpacking the product	7
V	
Voltage	3

Supplier

Vaillant Group UK Ltd.

Nottingham Road ■ Belper ■ Derbyshire ■ DE56 1JT ■ Great Britain

Telephone 0330 100 3143

info@vaillant.co.uk ■ www.vaillant.co.uk



0020235300_06

Publisher/manufacturer

Vaillant GmbH

Berghauser Str. 40 ■ 42859 Remscheid ■ Deutschland

Tel. +49 (0)2191 18 0 ■ Fax +49 (0)2191 18 2810

info@vaillant.de ■ www.vaillant.de

© These instructions, or parts thereof, are protected by copyright and may be reproduced or distributed only with the manufacturer's written consent.

Subject to technical modifications.