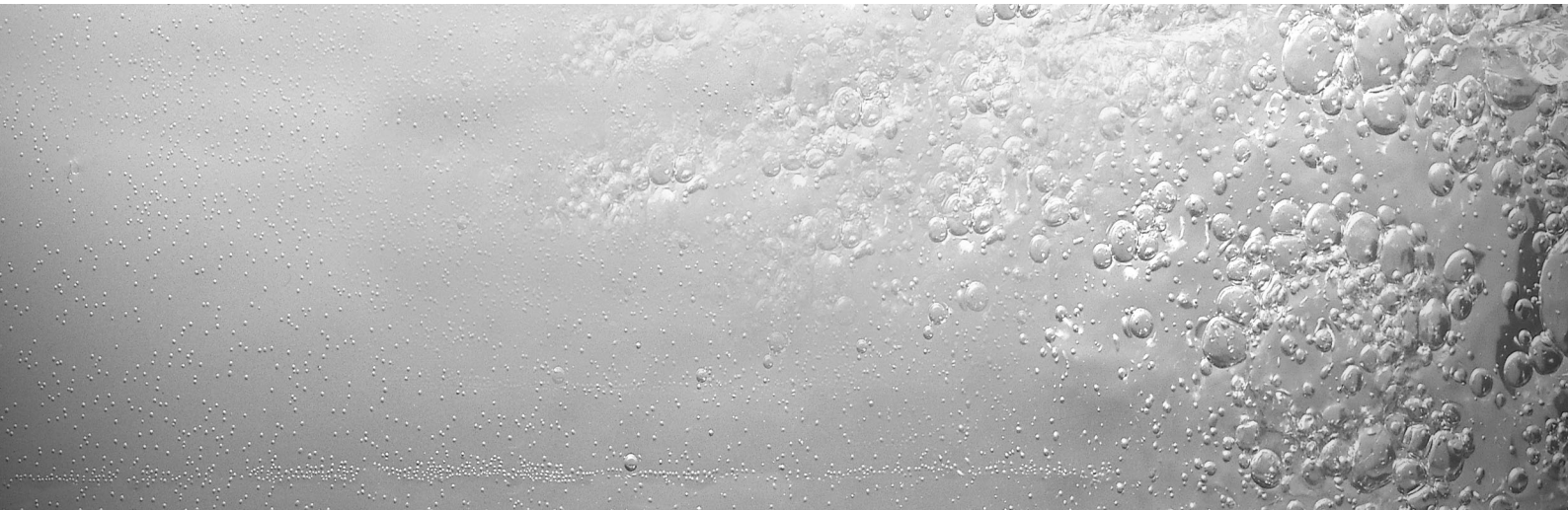


For the installer

Instructions for installation  
uniSTOR



Immersion Heater

For:  
VIH GB 260 S  
VIH GB 310 S

# Contents

## Contents

<b>1</b>	<b>Introduction.....</b>	<b>3</b>
1.1	Notes on the documentation.....	3
1.2	Safety instructions and symbols.....	3
<b>2</b>	<b>Safety instructions.....</b>	<b>3</b>
2.1	Note to Installers.....	3
<b>3</b>	<b>Mounting of the accessory immersion heater</b>	<b>4</b>
3.1	Preparation of the cylinder.....	4
3.2	Mounting of the immersion heater.....	4
<b>4</b>	<b>Commissioning, Care and Maintenance....</b>	<b>7</b>
4.1	Commissioning.....	7
4.2	Care and Maintenance.....	7
<b>5</b>	<b>Guarantee.....</b>	<b>7</b>

## 1 Introduction

### 1.1 Notes on the documentation

The following information is intended to help you throughout the entire documentation. Further documents apply in combination with this installation and maintenance manual.

#### Applicable documents

The following additional documents are provided with the appliance:

Instructions for installation and use:  
No. 0020005468

The manuals for any accessories and controllers used also apply.

**We assume no liability for any damage caused by non-observance of these manuals.**

### 1.2 Safety instructions and symbols

Please observe the safety instructions in this manual for the installation of the appliance!

Symbols used in the manual are explained below:



**Danger!**  
Immediate danger to life and limb!



**Caution!**  
Potentially dangerous situation for the product and environment!



**Note**  
Useful information and instructions.

- Symbol for a necessary task
- List for function descriptions or general list

## 2 Safety instructions

Any spare parts which might be required are contained in the current spare parts catalogues.

Information can be obtained from Vaillant Customer Service Centres.

#### Important:

Before starting any maintenance work:

- Isolate the mains electricity supply by removing the fuse from the isolating switch.
- When removing the immersion heater ensure that water is kept away from all electrical components.
- Always use new seals and O-rings when parts are replaced.
- Always carry out functional checks after any service work.
- Always check earth continuity, polarity and resistance to earth with a multimeter after any service work and after replacing any electrical component.



**Danger!**  
**Electrocution touching live parts can be fatal!**  
**Protect the switch box from water.**  
**Before working on the appliance, turn off the power supply and lock it off to prevent accidental operation!**

All electrical work shall be carried out by a person competent to do so and shall comply with BS 7671 (IEE Regulations) and Part P of the Building Regulations.

#### 2.1 Note to Installers

This product has been assessed and found to comply with the requirements of the Building Regulations for unvented hot water storage systems and must not be altered or modified in any way.

The installation must be carried out by a competent person and be in accordance with the relevant requirements of the Local Authority, Building Regulations, Building Regulations (Scotland), Building Regulations (Northern Ireland), and the bye-laws of the local Water Undertaking. The installation is subject to Building Regulation approval, notify the Local Authority of intention to install. In the event of parts replacement, use only genuine spare parts supplied by Vaillant Ltd.

#### Important:

The accessory heater is only designed for use in the upper flange socket of the uniSTOR hot water cylinders

- Vaillant uniSTOR VIH GB 260 S and
- Vaillant uniSTOR VIH GB 310 S

Non-observance of the above information may cause serious damage.

## 3 Mounting of the accessory immersion heater

### 3 Mounting of the accessory immersion heater

 **Note**

The immersion heater must be installed by a competent person in accordance with current Building Regulations. Do not remove or adjust any component part of the heater. In the unlikely event that the heater develops a fault, such as hot water flowing from the discharge pipe, switch the boiler and immersion heater off and contact Vaillant Ltd or your installer.

 **Note**

Access should always be maintained to allow operation of the domestic hot water thermostat control.

#### 3.1 Preparation of the cylinder

- Drain off the cylinder to below the level of the flanged socket for the 2nd immersion heater.
- Strip the round sticker situated in the upper area of the cylinder to cover the flange socket.
- Cut out the Styrofoam insulation along the perforation marked in the cylinder cover (see figure 3.1)
- Remove the brass plug and if necessary the flat seal of the flange.

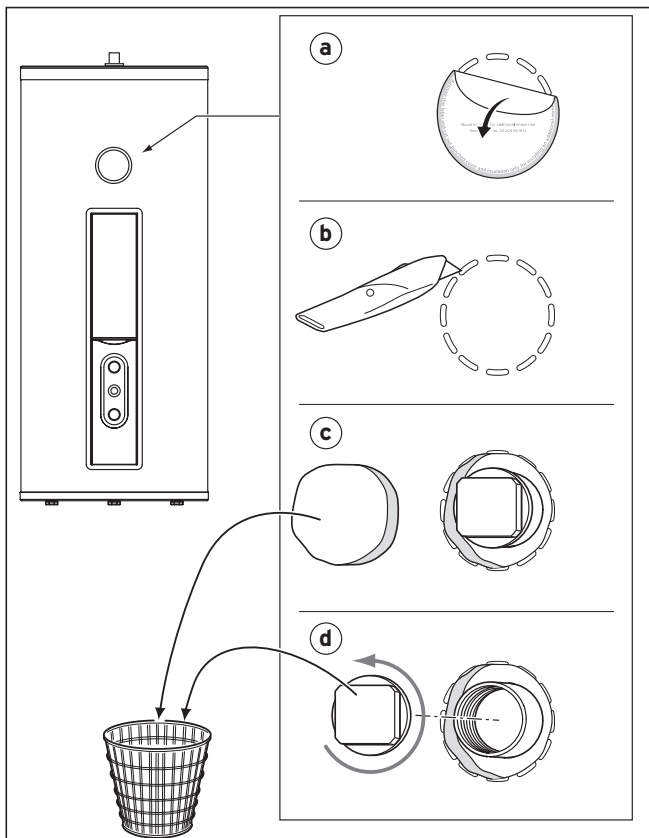


Fig. 3.1 Preparation of the cylinder

#### 3.2 Mounting of the immersion heater

- Place the flat seal (1) onto the adapter (2) turning it into the flange (3). Tighten it with a wrench or a large screwdriver.
- Fix the self-adhesive sleeve (4) at the flange opening.
- Insert the smaller flat seal (5) into the adapter.

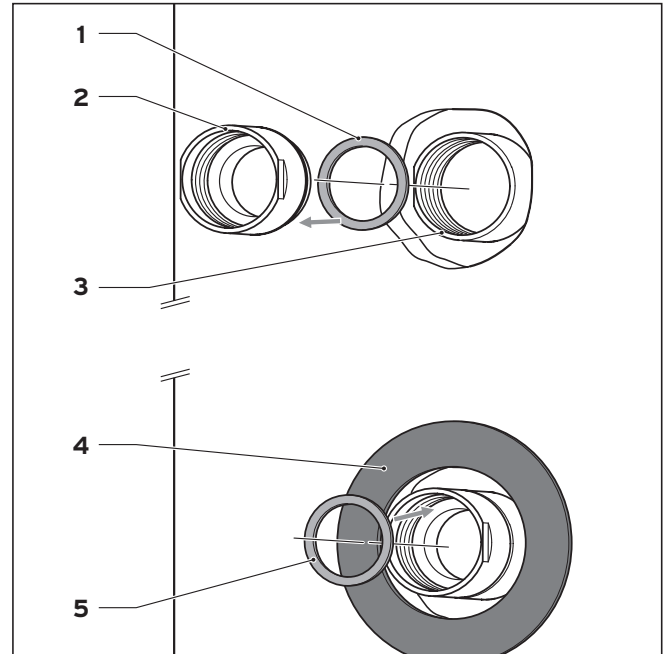


Fig. 3.2 Mounting of the adapter

- Insert the bent immersion heater (6) into the adapter opening. The bent part of it is to be placed facing the cylinder bottom (see figure 3.3).

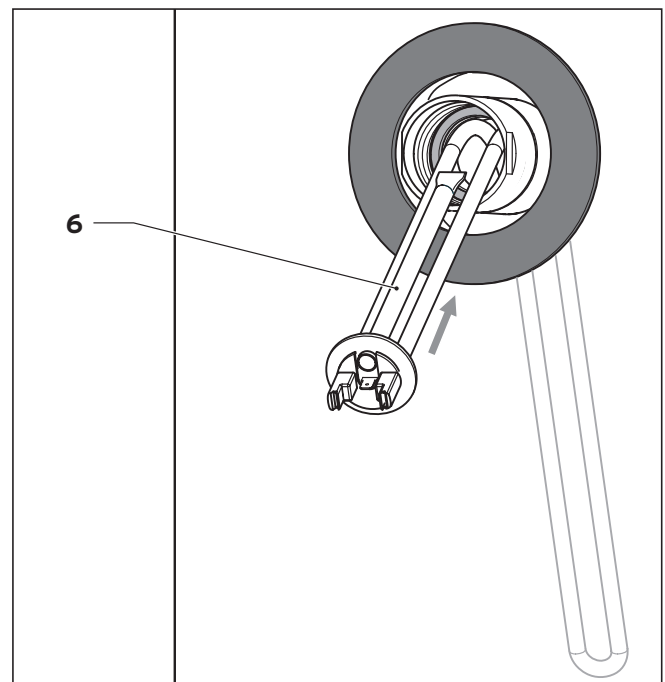
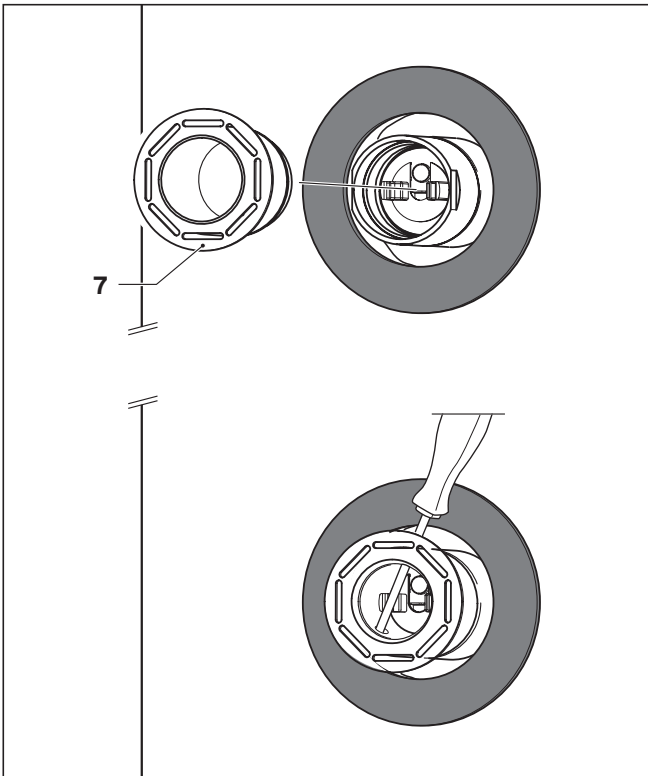


Fig. 3.3 Mounting of the immersion heater

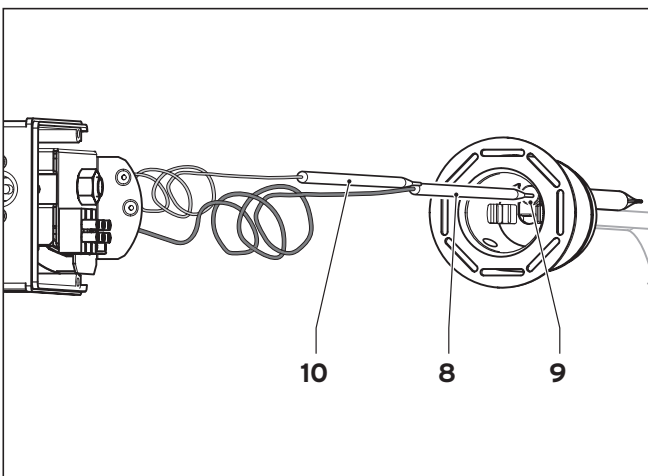
## Mounting of the accessory immersion heater 3

- Fix the immersion heater with the fastening ring (7). Tighten it with a wrench or a large screwdriver.



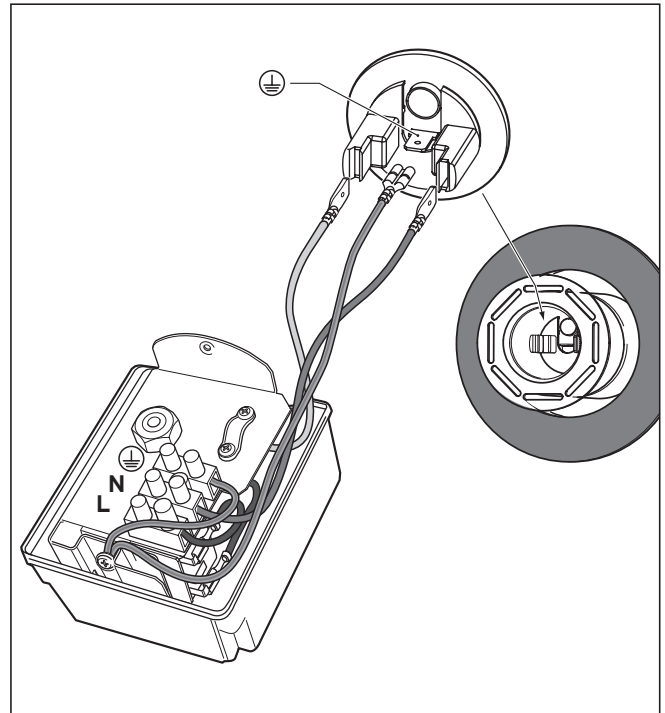
**Fig. 3.4 Fixing the immersion heater**

- First push the longer thermostat sensor (8) into the sensor pipe (9).
- Then push the shorter sensor (10) for the thermal cut-out into the sensor pipe.



**Fig. 3.5 Mounting of the sensor**

- Now connect the heater wiring (see figure 3.6).

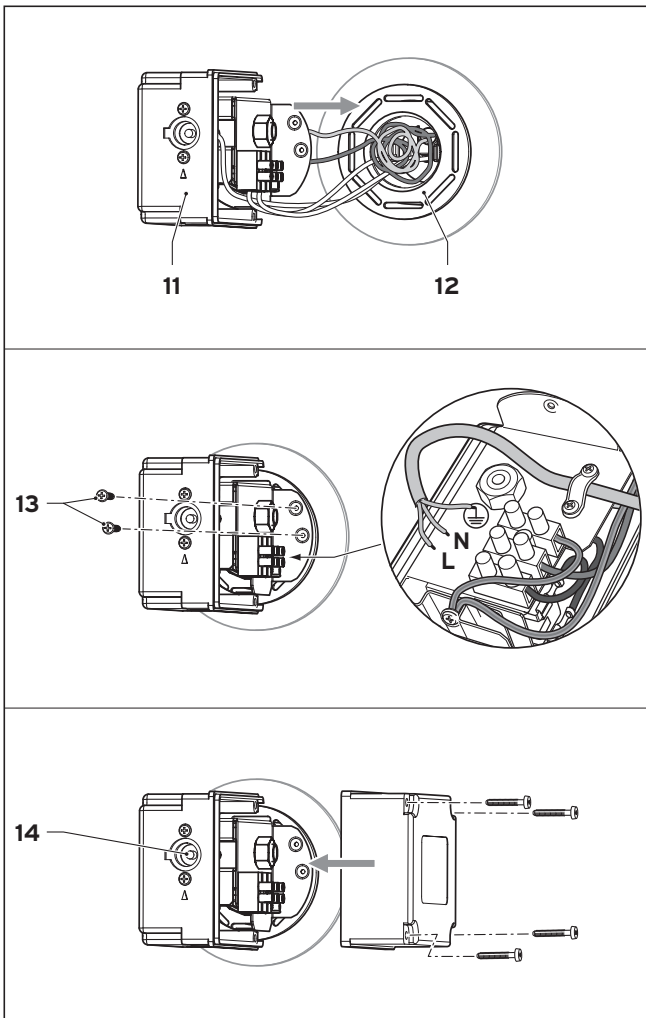


**Fig. 3.6 Electrical connections**

### 3 Mounting of the accessory immersion heater

- Mount the switch box (11) onto the heater (12) and fix it by means of the tapping screws (13).

**The immersion heater is equipped with a safety over-heat cut-off device and must never be replaced by a standard immersion heater. Only genuine Vaillant spare parts must be used!**



**Fig. 3.7 Mounting of the switchbox**

- Connect the external wiring:
  - Terminal earth
  - Terminal N
  - Terminal L
- Close the switch box and fix it with the four screws which are attached.
- Adjust the desired temperature by means of the thermostat (14) with a screwdriver.

The thermostat is adjustable from 30 °C to 65 °C.



#### **Note**

**All wiring must be carried out in accordance with BS 7671: Requirements for electrical installations (IEE Wiring Regulations, 16th edition) by a qualified installer.**



#### **Caution!**

**The immersion heater must be earthed.**

## **4 Commissioning, Care and Maintenance**    **5 Guarantee**

### **4.1 Commissioning**

The accessory immersion heater for domestic hot water on the uniSTOR can be set from 20 °C to 65 °C. The desired temperature will be set by the installer while commissioning the uniSTOR (normally a setting of 60 °C is adequate).

### **4.2 Care and Maintenance**

The casing of the immersion heater may be cleaned with a damp cloth and a little soap. Do not use any abrasive or solvent material which could damage the case or fittings.

The immersion heater carries a Vaillant 2 year guarantee against faulty materials or manufacture

**Head Office: Vaillant Ltd.**

Vaillant House ■ Medway City Estate ■ Trident Close  
Rochester ■ Kent ME2 4EZ

Service Solutions 0870 6060 777 ■ Technical Advice 01634 292392