



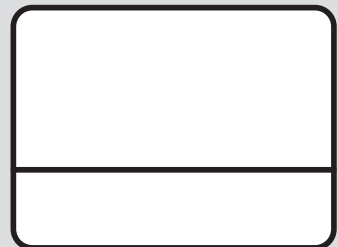
sensoNET

VR 921

TRANSLATION

0020285487_05 - 23.09.2022

- en** Installation instructions
- en** Figures
- en** Country specifics



en	Installation instructions.....	3
en	Figures	10
en	Country specifics.....	12

Installation instructions

1 Safety

1.1 Intended use

In the event of inappropriate or improper use, damage to the product and other property may arise.

The product is used to control your heating installation. The communication unit is connected to your router using a LAN cable or via WLAN, and establishes an Internet connection for the heating installation.

Intended use includes the following:

- observance of accompanying operating, installation and maintenance instructions for the product and any other system components
- installing and setting up the product in accordance with the product and system approval
- compliance with all inspection and maintenance conditions listed in the instructions.

Intended use also covers installation in accordance with the IP class.

This product can be used by children aged from 8 years and above and persons with reduced physical, sensory or mental capabilities or lack of

experience and knowledge if they have been given supervision or instruction concerning use of the product in a safe way and understand the hazards involved. Children must not play with the product. Cleaning and user maintenance work must not be carried out by children unless they are supervised.

Using the product with a power supply unit other than the one supplied or available as an accessory or with the connection cable that is available as an accessory for the direct connection to the heat generator is considered to be improper use.

Any other use that is not specified in these instructions, or use beyond that specified in this document, shall be considered improper use. Any direct commercial or industrial use is also deemed to be improper.

Caution.

Improper use of any kind is prohibited.

1.2 Risk caused by inadequate qualifications

The following work must only be carried out by competent persons who are sufficiently qualified to do so:

- Set-up
- Dismantling

- Installation
- Start-up
- Inspection and maintenance
- Repair
- Decommissioning
- ▶ Proceed in accordance with current technology.

Validity: Russia

The competent person must be authorised by Vaillant Group Russia.

1.3 Risk of death from electric shock

There is a risk of death from electric shock if you touch live components.

Before commencing work on the product:

- ▶ Unplug the mains plug.
- ▶ Or disconnect the product from the power supply by switching off all power supplies (electrical partition with a contact gap of at least 3 mm, e.g. fuse or circuit breaker).
- ▶ Secure against being switched back on again.
- ▶ Wait for at least 3 minutes until the capacitors have discharged.
- ▶ Check that there is no voltage.

1.4 Qualification

Only qualified electricians may carry out the electrical installation.

1.5 Risk of material damage caused by using an unsuitable tool

- ▶ Use the correct tool.



1.6 Observing the safety information

Validity: Russia OR Ukraine

- ▶ Observe the safety information in the section "Country-specific information".

1.7 Safety warning – Power supply unit

- ▶ The power supply unit that is provided must only be used indoors.
- ▶ Do not operate the power supply unit in wet environments or in the rain.
- ▶ If the power supply unit has visible damage or is defective, you must not operate it.
- ▶ Keep the power supply unit, its individual parts and the packaging material away from children.
- ▶ Only connect the power supply unit if the mains voltage for the plug socket matches the information on the data plate.

- 
- 
- ▶ Only connect the power supply unit to an easily accessible plug socket so that you can disconnect the power supply unit quickly from the power grid in the event of a fault.
 - ▶ The power supply unit heats up during operation. Do not cover the power supply unit with objects, and ensure that it is sufficiently ventilated.
 - ▶ The outer connection cable on the power supply unit cannot be replaced. If the connection cable becomes damaged, the entire power supply unit must be scrapped.
 - ▶ When using the VRA 42 power supply unit, which is available as an accessory: Install the power supply unit in the boiler in accordance with the instructions. Connect the power supply unit to the unit PCB in accordance with the boiler's installation instructions.

1.8 Regulations (directives, laws, standards)

- ▶ Observe the national regulations, standards, directives, ordinances and laws.

2 Notes on the documentation

2.1 Observing other applicable documents

- ▶ You must observe all the operating and installation instructions included with the system components.
- ▶ Observe the country-specific notes in the Country Specifics appendix.

2.2 Storing documents

- ▶ Pass these instructions and all other applicable documents on to the end user.

2.3 Validity of the instructions

These instructions apply only to:

Product article number

VR 921	0020260962, 0020260963, 0020260964
--------	--

3 Product description

3.1 CE marking



The CE marking shows that the products comply with the basic requirements of the applicable directives as stated on the declaration of conformity.

The manufacturer hereby declares that the type of radio equipment that is described in these instructions complies with Directive 2014/53/EU. The complete text for the EU Declaration of Conformity is available at: <http://www.vaillant-group.com/doc/doc-radio-equipment-directive/>.

3.2 Recycling and disposal



■ If the product is identified with this symbol, it does not belong with the household waste at the end of its useful life.

- ▶ Instead, take the product to a collection point for recycling waste electrical or electronic equipment.

For more information on where to take waste electrical and electronic equipment, contact your town or district authorities or your waste recycling centre.

3.3 Symbols on the data plate

Symbol	Meaning
	Protection class III

3.4 Symbols on the data plate for the power supply unit

Symbol	Meaning
	Protection class II
	Use only in interior rooms
	Polarity of the extra-low voltage plug

3.5 Requesting licences

This product contains free and open-source software. The corresponding licence information is saved on the Wi-Fi gateway and can be displayed using the corresponding app.

You can request the source code, for a processing fee, from the following address: opensource@myvaillant.com

This offer applies for three years from the date of purchase, or at least for the time in which we offer support for the Wi-Fi gateway.

4 Installation

4.1 Checking the assembly and installation prerequisites

- ▶ Check:
 - WLAN signal available (if operation with WLAN is selected)
 - LAN cable available (if operation with LAN is selected)
 - eBUS line accessible, if required
 - Free plug socket available, if required
 - Routing and security parameters in the IP network: Ports 80, 123, 443 and 8443 enabled for outgoing connections
 - Dynamic IP addressing (DHCP) available
 - The installation site and cabling for the product with the heat generator is not publicly accessible
 - Internet connection for permanent Internet communication is available
 - The IP network has an activated firewall and is encrypted, see technical data

4.2 Wall installation, electrical connection to the plug socket

- ▶ Observe the installation steps in the illustrated instructions at the end of this document.

4.3 Alternative electrical connection to the heat generator (extra accessory required)

1. Remove the power supply unit and the eBUS connection cable.
2. Install the connection cable (article number: 0020284732) for the direction connection to the heat generator.

4.4 Connecting the product to the Internet

1. Ensure that all additional system components, such as the control, are operating when you switch on the product.
2. Briefly press the button in the product's terminal block.
 - ◁ The product is now in coupling mode for ten minutes.
3. For additional instructions, follow the corresponding app.

4.5 Meaning of the LEDs

LED	Status	Meaning
Yellow/green	Flashing	The product starts.
Yellow/green	Lights up	The start process ends; ready for coupling
Blue	Flickering	The coupling mode (WLAN) is active
Blue	Lights up	LAN/WLAN is available. The product is ready for operation.
Blue	Flashing	Product software is updating
Red	Lights up	Internet connection was disconnected; when connecting via LAN: No Internet connection available

4.6 Data protection and connecting the product to the Internet as well as EEBUS solutions from third-party providers

You can only use the product's scope of functions with the corresponding app. To install the app, you must accept the T&Cs and Privacy Policy.

If you connect the product to the Internet via a LAN cable without using the corresponding app, the product automatically sends the following technical data to the manufacturer's server:

- Data about the product (serial number, unit type, unit ID, etc.)
- Data about the firmware (firmware version, update status, etc.)
- Data about the connected heating system (serial numbers, unit types, unit IDs, firmware versions, etc.)

A local network connection is the prerequisite in order to connect the product with EEBUS-compatible products from third-party providers. To start up the products, the corresponding app must be used.

When using EEBUS solutions from third-party providers, the third-party provider's T&Cs and Privacy Policy also apply with regard to the collection and processing of their data. The product manufacturer has no influence on this and assumes no liability for this.

4.7 Background information

For further information on the product and the system (EEBUS, system information, etc.), you can call up the following website:

- www.vaillant.com/homecomfort

5 Repair

5.1 Replacing the power supply unit

- ▶ If you replace the power supply unit, only use the original power supply unit from the manufacturer (article number 0020116923 or 0020259111).



Note

The VRA 42 power supply unit must only be used if the power supply unit can be correctly installed in the boiler's electronics box.

6 Technical data

6.1 Technical data – Communication unit



Note

* Not applicable for article number 0020260964 and not applicable for Russia/Ukraine.

** Applies for use with the connection cable for the direct connection to the heat generator.

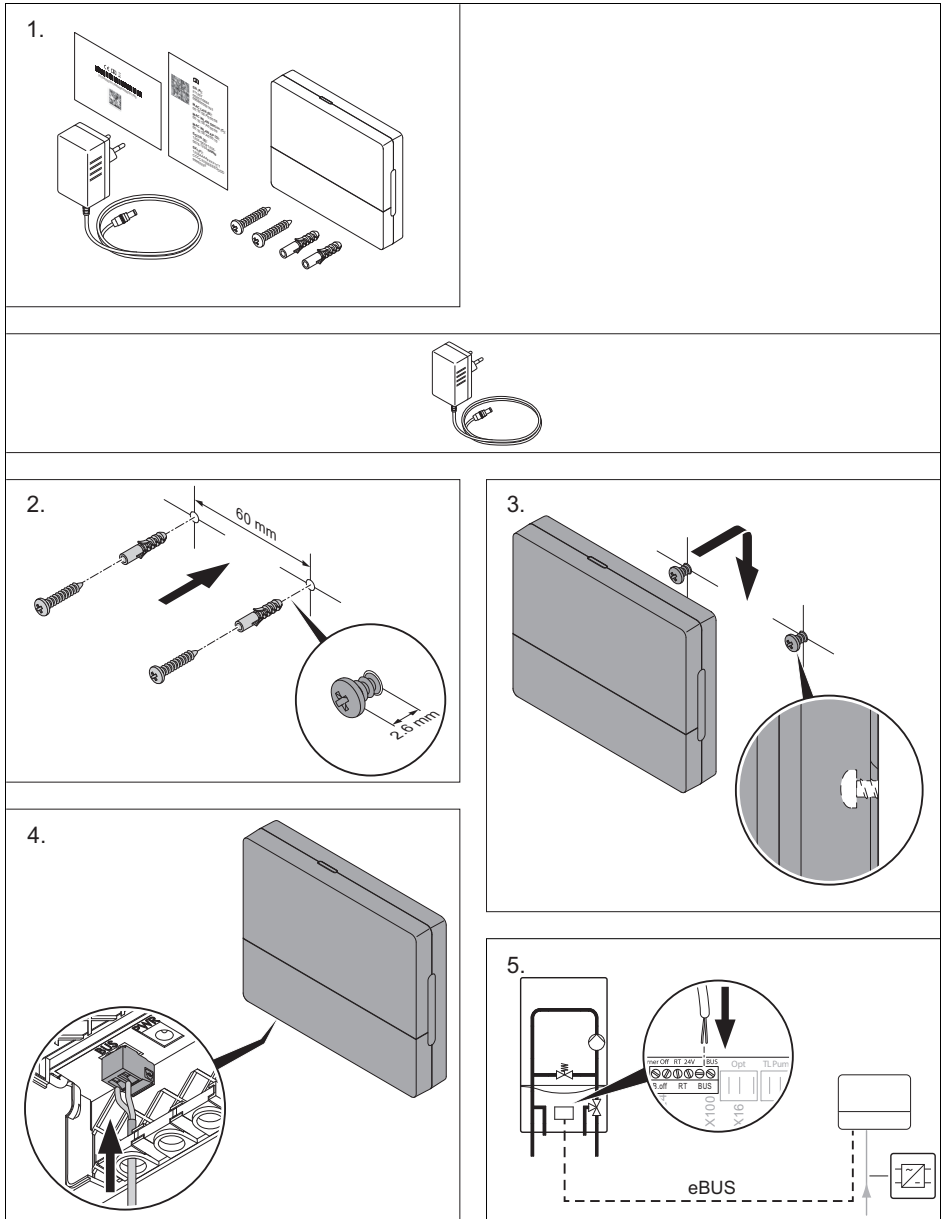
Rated voltage	5 to 24 V $\overline{\text{---}}$
Requirement for the power supply **	ES1 or PS1 in accordance with IEC 62368-1
Radio frequency bands *	868.0–868.6 MHz, 869.4–869.65 MHz
WLAN radio frequency band	2.4 GHz
Radio frequency output at 868.0 – 868.6 MHz (max. e.r.p.)*	6.6 dBm
Radio frequency output at 869.4 – 869.65 MHz (max. e.r.p.)*	6.9 dBm
WLAN radio frequency output (max. e.r.p.)	17.5 dBm
WLAN channels	1 – 13
Wi-Fi encryption	WPA2-PSK1 – 13
IP assignment	DHCP
Power consumption (average)	3.0 W
Maximum environmental temperature	50 °C
Low-voltage wire (bus line) – cross-section	≥ 0.75 mm ²
Ethernet cable (LAN)	min. Cat 5
Height	96 mm
Width	122 mm
Depth	36 mm
IP rating	IP 21
Protection class	III
Permitted degree of environmental pollution	2

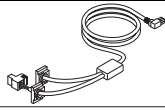
6.2 Technical data – Plug-in power supply unit

Rated voltage	110 to 240 V~
Rated current	0.5 A
Output AC voltage	5 V
Max. output direct current	2.1 A
Power frequency	50/60 Hz
IP rating	IP 20
Protection class	II
Permitted degree of environmental pollution	2

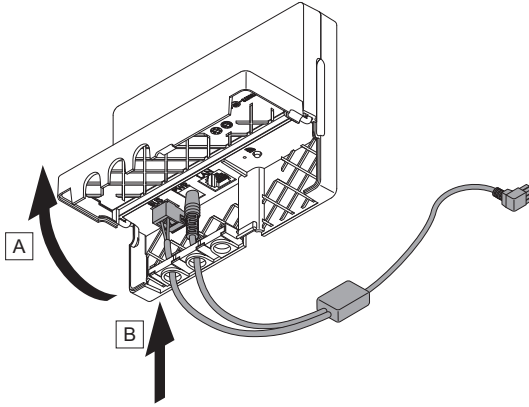
Figures

1

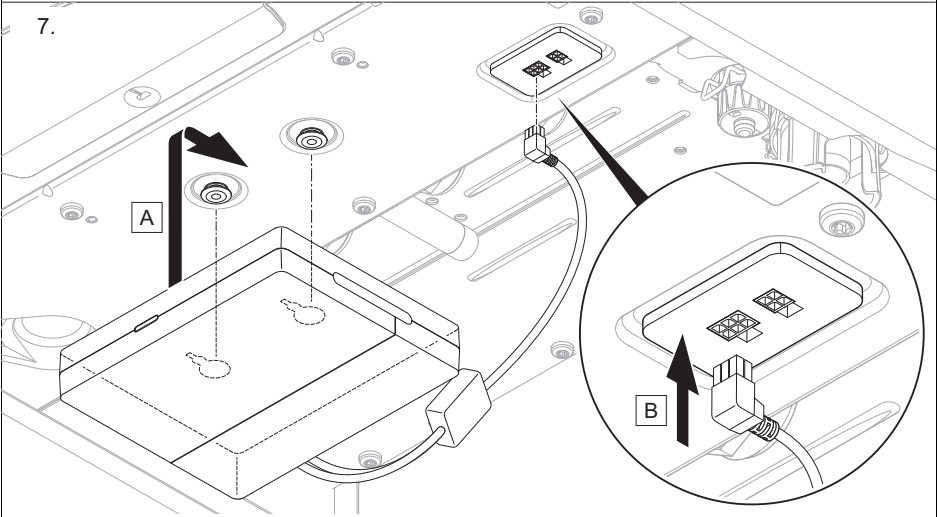




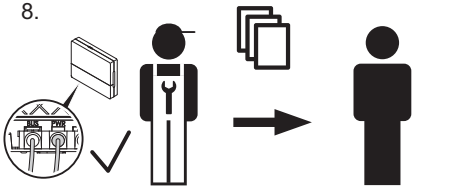
6.



7.



8.



Country specifics

1 Supplier addresses and country specifics

1.1 AT, Österreich

- Austria -

Vaillant Group Austria GmbH

Clemens-Holzmeister-Straße 6

1100 Wien

Telefon 05 7050

Telefax 05 7050 1199

Telefon 05 7050 2100 (zum Regionaltarif österreichweit, bei Anrufen aus dem Mobilfunknetz ggf. abweichende Tarife - nähere Information erhalten Sie bei Ihrem Mobilnetzbetreiber)

info@vaillant.at

termin@vaillant.at

www.vaillant.at

www.vaillant.at/werkskundendienst/

1.2 BA, Bosna i Hercegovina

- Bosnia and Herzegovina -

Vaillant d.o.o.

Bulevar Meše Selimovića 81A

BiH Sarajevo

Tel. 033 6106 35

Fax 033 6106 42

vaillant@bih.net.ba

www.vaillant.ba

1.3 BE, Belgien, Belgique, België

- Belgium -

N.V. Vaillant S.A.

Golden Hopestraat 15

B-1620 Drogenbos

Tel. 2 3349300

Fax 2 3349319

Kundendienst / Service après-vente / Klantendienst 2 3349352

info@vaillant.be

www.vaillant.be

1.4 CH, Schweiz, Suisse, Svizzera

- Switzerland -

Vaillant GmbH (Schweiz, Suisse, Svizzera)

Riedstrasse 12

CH-8953 Dietikon

Tel. +41 44 744 29 29

Fax +41 44 744 29 28

Techn. Vertriebssupport +41 44 744 29 19

info@vaillant.ch

www.vaillant.ch

Vaillant Sàrl

Z.I. d'In-Riaux 30

CH-1728 Rossens

Tél. +41 26 409 72 10

Fax +41 26 409 72 14

Service après-vente tél. +41 26 409 72 17

Service après-vente fax +41 26 409 72 19

romandie@vaillant.ch

www.vaillant.ch

1.5 CZ, Česká republika

- Czech Republic -

Vaillant Group Czech s. r. o.

Plzeňská 188

CZ-252 19 Chrást'any

Telefon +420 281 028 011

Telefax +420 257 950 917

vaillant@vaillant.cz

www.vaillant.cz

1.6 DE, Deutschland

- Germany -

Vaillant Deutschland GmbH & Co.KG

Berghauser Str. 40

D-42859 Remscheid

Telefon 02191 18 0

Telefax 02191 18 2810

Auftragsannahme Vaillant Kundendienst 02191 5767901

info@vaillant.de

www.vaillant.de

1.7 DK, Danmark

- Denmark -

Vaillant A/S

Dybendalsvænget 3
DK-2630 Taastrup
Telefon 0046 160200
Vaillant Kundeservice 46 160200
info@vaillant.dk
www.vaillant.dk

1.8 EE, Eesti

- Estonia -

Vaillant Group International GmbH

Berghauser Strasse 40
D-42859 Remscheid
Tel. +49 2191 18 0
www.vaillant.info

1.9 ES, España

- Spain -

Vaillant Saunier Duval, S.A.U

Polígono Industrial Ugaldeguren III
Parcela 22
48170 Zamudio
Teléfono +34 94 48 96 200
Atención al Cliente +34 910 77 88 77
Servicio Técnico Oficial +34 910 779 779
www.vaillant.es

1.10 FI, Suomi

- Finland -

Vaillant A/S

Dybendalsvænget 3
DK-2630 Taastrup
Telefon 0045 46160200
info@vaillant.dk
www.vaillant.fi

1.11 FR, France

- France -

SDECC SAS (une société de Vaillant Group en France)

SAS au capital de 19 800 000 euros - RCS
Créteil 312 574 346
Siège social: 8 Avenue Pablo Picasso
94120 Fontenay-sous-Bois
Téléphone 01 4974 1111
Fax 01 4876 8932
www.vaillant.fr

1.12 GB, Great Britain

Vaillant Ltd.

Nottingham Road
Belper
Derbyshire
DE56 1JT
Telephone 0330 100 3143
info@vaillant.co.uk
www.vaillant.co.uk

1.13 GR, Ελλάδα

- Greece -

Vaillant Group International GmbH

Berghauser Strasse 40
D-42859 Remscheid
Tel. +49 2191 18 0
www.vaillant.info

1.14 HR, Hrvatska

- Croatia -

Vaillant d.o.o.

Heinzelova 60
10000 Zagreb
Tel. 01 6188 670
Tel. 01 6188 671
Tel. 01 6064 380
Tehnički odjel 01 6188 673
Fax 01 6188 669
info@vaillant.hr
www.vaillant.hr

1.15 HU, Magyarország

- Hungary -

Vaillant Saunier Duval Kft.

Office Campus Irodaház
A épület, II. emelet
1097 Budapest
Gubacsi út 6.
Tel +36 1 464 7800
vaillant@vaillant.hu
www.vaillant.hu

1.16 IT, Italia

- Italy -

Vaillant Group Italia S.p.A.

Via Benigno Crespi 70
20159 Milano
Tel. +39 02 697 121
Fax +39 02 697 12500
Assistenza clienti 800 088 766
info.italia@vaillantgroup.it
www.vaillant.it

1.17 LT, Lietuva

- Lithuania -

Vaillant Group International GmbH

Berghauser Strasse 40
D-42859 Remscheid
Tel. +49 2191 18 0
www.vaillant.info

1.18 LV, Latvija

- Latvia -

Vaillant Group International GmbH

Berghauser Strasse 40
D-42859 Remscheid
Tel. +49 2191 18 0
www.vaillant.info

1.19 NL, Nederland

- Netherlands -

Vaillant Group Netherlands B.V.

Paasheuvelweg 42
Postbus 23250
1100 DT Amsterdam
Telefoon 020 565 92 00
Consumentenservice 020 565 94 20
Serviceteam voor installateurs 020 565 94 40
info@vaillant.nl
www.vaillant.nl

1.20 NO, Norge

- Norway -

Vaillant Group Norge AS

Støttumveien 7
1540 Vestby
Telefon 64 959900
Fax 64 959901
info@vaillant.no
www.vaillant.no

1.21 PL, Polska

- Poland -

Vaillant Saunier Duval Sp. z.o.o.

ul. 1 Sierpnia 6A, budynek C
02-134 Warszawa
Tel. 022 3230100
Fax 022 3230113
Infolinia 0801 804444
vaillant@vaillant.pl
www.vaillant.pl

1.22 PT, Portugal

- Portugal -

Vaillant Group International GmbH

Berghauser Strasse 40
D-42859 Remscheid
Tel. +49 2191 18 0
www.vaillant.info

1.23 RO, România

- Romania -

Vaillant Group România S. R. L.

Soseaua Bucuresti Nord nr. 10 incinta
Global City Business Park, Cladirea O21,
parter si etaj 1
077190 Voluntari jud. Ilfov
Tel. +40 (0) 21 209 8888
Fax +40 (0) 21 232 2 275
office@vaillant.com.ro
www.vaillant.com.ro

1.24 RS, Srbija

- Serbia -

Vaillant d.o.o.

Radnička 59
11030 Beograd
Tel. 011 3540 050
Tel. 011 3540 250
Tel. 011 3540 466
Fax 011 2544 390
info@vaillant.rs
www.vaillant.rs

1.25 RU, Россия

- Russia -

ООО «Вайлант Груп Рус», Россия

143421 Московская область – Красногорский район
26-й км автодороги «Балтия», бизнес-центр «Рига Ленд»
Строение 3, 3-й подъезд, 5-й этаж, помещение II
Тел. +7 495 788 4544
Факс +7 495 788 4565
Техническая поддержка для специалистов +7 495 921 4544 (круглосуточно)
info@vaillant.ru
www.vaillant.ru
вайлант.рф

Срок хранения

– Срок хранения: 22 месяца с даты производства

Дата производства

Дата производства (неделя, год) указаны в серийном номере на маркировочной табличке:

- третий и четвёртый знак серийного номера указывают год производства (двухзначный).
- пятый и шестой знак серийного номера указывают неделю производства (от 01 до 52).

Единый знак обращения на рынке государств-членов Евразийского экономического союза



Маркировка изделия единым знаком обращения на рынке государств-членов Евразийского экономического союза подтверждает соответствие изделия требованиям всех технических регламентов Евразийского экономического союза и всех представленных в нём стран.

1.26 SE, Sverige

- Sweden -

Vaillant Group Gaseres AB

Norra Ellenborgsgatan 4
S-23351 Svedala
Telefon 040 80330
Telefax 040 968690
info@vaillant.se
www.vaillant.se

1.27 SI, Slovenija

- Slovenia -

Vaillant d.o.o.

Dolenjska c. 242 b
1000 Ljubljana
Tel. 01 28093 40
Tel. 01 28093 42
Tel. 01 28093 46
Tehnični oddelek 01 28093 45
Fax 01 28093 44

info@vaillant.si
www.vaillant.si

1.28 SK, Slovaška

- Slovakia -

Vaillant Group Slovakia, s.r.o.

Pplk. Pl'ušť'a 45
Skalica
909 01
Tel +42134 6966 101
Fax +42134 6966 111
Zákaznícka linka +42134 6966 128
www.vaillant.sk

1.29 TR, Türkiye

- Turkey -

Vaillant Isı Sanayi ve Ticaret Ltd. Şti.

Atatürk Mahallesi Meriç Caddesi No: 1/4
34758 / Ataşehir – İstanbul
Tel. 0216 558 8000
Fax 0216 462 3424
Müşteri Hizmetleri 0850 2222888
vaillant@vaillant.com.tr
www.vaillant.com.tr

1.30 UA, Україна

- Ukraine -

ДП «Вайллант Група Україна»

вул. Лаврська 16
01015 м. Київ
Тел. 044 339 9840
Факс. 044 339 9842
Гаряча лінія 0800 501 805
info@vaillant.ua
www.vaillant.ua

Термін зберігання

– Термін зберігання: 22 місяці з дати виробництва

Дата виготовлення

Дата виготовлення (тиждень, рік) вказані в серійному номері на паспортній табличці:

– третій і четвертий знак серійного номера вказують рік виробництва (у двозначному форматі).

– п'ятий і шостий знак серійного номера вказують тиждень виробництва (від 01 до 52).

Національний знак відповідності України



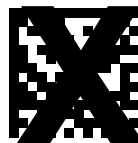
Маркування національним знаком відповідності виробу свідчить його відповідність вимогам Технічних регламентів України.

Небезпека

Перед монтажем прочитати інструкцію з установки!

Перед введенням в експлуатацію прочитати інструкцію з експлуатації!

Дотримуватися вказівок з технічного обслуговування, наведених в інструкції з експлуатації!



0020285487_05

Publisher/manufacturere

Vaillant GmbH

Berghauser Str. 40 ■ D-42859 Remscheid
Tel. +49 2191 18 0 ■ Fax +49 2191 18 2810
info@vaillant.de ■ www.vaillant.de

Вайлант ГмбХ

Бергхаузер штр. 40 ■ D-42859 Ремшайд
Тел +49 2191 18 0 ■ Факс +49 2191 18 2810
info@vaillant.de ■ www.vaillant.de

© These instructions, or parts thereof, are protected by copyright and may be reproduced or distributed only with the manufacturer's written consent. Subject to technical modifications.