

For the operator

Operating instructions



ecoTEC plus

VU, VUW, VUI ..6/5-5

GB, IE

Publisher/Manufacturer

Vaillant GmbH

Berghauser Str. 40 ■ D-42859 Remscheid
Tel. +49 21 91 18-0 ■ Fax +49 21 91 18-2810
info@vaillant.de ■ www.vaillant.de

 **Vaillant**

Contents

Contents	9	Guarantee and customer service	12
	9.1	Guarantee.....	12
	9.2	Customer service.....	12
1 Safety	3	Appendix	13
1.1 Action-related warnings	3	A Operator level – overview	13
1.2 Intended use	3	B Status codes – Overview	13
1.3 General safety information	3	C Troubleshooting	14
2 Notes on the documentation	5		
2.1 Observing other applicable documents	5		
2.2 Storing documents.....	5		
2.3 Applicability of the instructions	5		
3 Product description	5		
3.1 Product design.....	5		
3.2 Control elements.....	5		
3.3 Displayed symbols.....	6		
3.4 Information on the identification plate	6		
3.5 Serial number	7		
3.6 CE label	7		
3.7 Energy Saving Trust Endorsed Products	7		
3.8 Hot Water Association	7		
3.9 Benchmark.....	7		
4 Operation	7		
4.1 Operating concept	7		
4.2 Basic display.....	8		
4.3 Menu display.....	8		
4.4 Adjustment and display levels	8		
4.5 Cabinet-type casing	8		
4.6 Opening the isolator devices	8		
4.7 Starting up the product	8		
4.8 Switching on the product	8		
4.9 Setting the language.....	8		
4.10 Setting the heating flow temperature.....	9		
4.11 Setting the hot water temperature	9		
4.12 Switching Comfort mode on and off	9		
4.13 Activating the shift-load cylinder	9		
4.14 Setting the target cylinder temperature	10		
4.15 Switching off the product's functions	10		
4.16 Guaranteeing the correct filling pressure of the heating system.....	10		
4.17 Protecting the heating installation against frost.....	11		
5 Troubleshooting	11		
5.1 Detecting and rectifying faults	11		
5.2 Calling up (Live monitor) status codes	11		
6 Care and maintenance	11		
6.1 Maintenance	11		
6.2 Caring for the product.....	11		
6.3 Reading maintenance messages	11		
6.4 Checking the condensate drain pipework and tundish	11		
7 Decommissioning	12		
7.1 Temporarily decommissioning the product.....	12		
7.2 Permanently decommissioning the product.....	12		
8 Recycling and disposal	12		



1 Safety

1.1 Action-related warnings

Classification of action-related warnings

The action-related warnings are classified in accordance with the severity of the possible danger using the following warning signs and signal words:

Warning symbols and signal words

Danger!

Imminent danger to life or risk of severe personal injury



Danger!

Risk of death from electric shock

Warning.

Risk of minor personal injury

Caution.

Risk of material or environmental damage

1.2 Intended use

There is a risk of injury or death to the user or others, or of damage to the product and other property in the event of improper use or use for which it is not intended.

The product is intended as a heat generator for closed heating installations and for hot water generation.

Intended use includes the following:

- observance of the operating instructions included for the product and any other system components
- compliance with all inspection and maintenance conditions listed in the instructions.

This product can be used by children aged from 8 years and above and persons with reduced physical, sensory or mental capabilities or lack of experience and knowledge if they have been given supervision or instruction concerning use of the product in a safe way and understand the hazards involved. Children must not play with the product. Cleaning and user maintenance work must not be carried out by children unless they are supervised.

Any other use that is not specified in these instructions, or use beyond that specified in

this document shall be considered improper use. Any direct commercial or industrial use is also deemed to be improper.

Caution.

Improper use of any kind is prohibited.

1.3 General safety information

1.3.1 Installation by competent persons only

The installation, inspection, maintenance and repair of the product, as well as the gas ratio settings, must only be carried out by a competent person.

1.3.2 Danger caused by improper operation

Improper operation may present a danger to you and others, and cause material damage.

- ▶ Carefully read the enclosed instructions and all other applicable documents, particularly the "Safety" section and the warnings.
- ▶ Only carry out the activities for which instructions are provided in these operating instructions.

1.3.3 Risk of death from escaping gas

What to do if you smell gas in the building:

- ▶ Avoid rooms that smell of gas.
- ▶ If possible, open doors and windows fully and ensure adequate ventilation.
- ▶ Do not use naked flames (e.g. lighters, matches).
- ▶ Do not smoke.
- ▶ Do not use any electrical switches, mains plugs, doorbells, telephones or other communication systems in the building.
- ▶ If it is safe to do so, close the emergency control valve or the main isolator.
- ▶ If possible, close the gas isolator cock on the product.
- ▶ Warn other occupants in the building by yelling or banging on doors or walls.
- ▶ Leave the building immediately and ensure that others do not enter the building.
- ▶ Notify the gas supply company or the Emergency Service Provider +44 (0) 800 111999 by telephone once you are outside of the building.

1 Safety



1.3.4 Risk of death due to a blocked or leaking flue gas pipe

What to do if you smell flue gas in the property:

- ▶ Open all accessible doors and windows fully to provide ventilation.
- ▶ Switch off the product.
- ▶ Inform a competent person.

1.3.5 Risk of death due to explosive and flammable materials

- ▶ Do not use or store explosive or flammable materials (e.g. petrol, paper, paint) in the installation room of the product.

1.3.6 Risk of death due to changes to the product or the product environment

- ▶ Never remove, bridge or block the safety devices.
- ▶ Do not tamper with any of the safety devices.
- ▶ Do not damage or remove any seals on components.
- ▶ Do not make any changes:
 - The product itself
 - to the gas, air, water and electricity supplies
 - to the entire flue gas installation
 - to the entire condensate drain system
 - to the expansion relief valve
 - to the drain pipework
 - to constructional conditions that may affect the operational reliability of the product

1.3.7 Risk of poisoning caused by insufficient supply of combustion air

Conditions: Open-flued operation

- ▶ Ensure that there is a sufficient supply of combustion air.

1.3.8 Risk of corrosion damage due to unsuitable combustion and room air

Sprays, solvents, chlorinated cleaning agents, paint, adhesives, ammonia compounds, dust or similar substances may lead to corrosion on the product and in the air/flue pipe.

- ▶ Ensure that the supply of combustion air is always free of fluorine, chlorine, sulphur, dust, etc.
- ▶ Ensure that no chemical substances are stored at the installation site.

1.3.9 Risk of material damage caused by frost

- ▶ Ensure that the heating installation always remains in operation during freezing conditions and that all rooms are sufficiently heated.
- ▶ If you cannot ensure the operation, have a competent person drain the heating installation.

1.3.10 Risk of injury and material damage due to maintenance and repairs carried out incorrectly or not carried out at all

- ▶ Never attempt to carry out maintenance work or repairs on your product yourself.
- ▶ Faults and damage should be immediately rectified by a competent person.
- ▶ Adhere to the maintenance intervals specified.



2 Notes on the documentation

2.1 Observing other applicable documents

- ▶ You must observe all operating instructions enclosed with the system components.

2.2 Storing documents

- ▶ Keep this manual and all other applicable documents safe for future use.

2.3 Applicability of the instructions

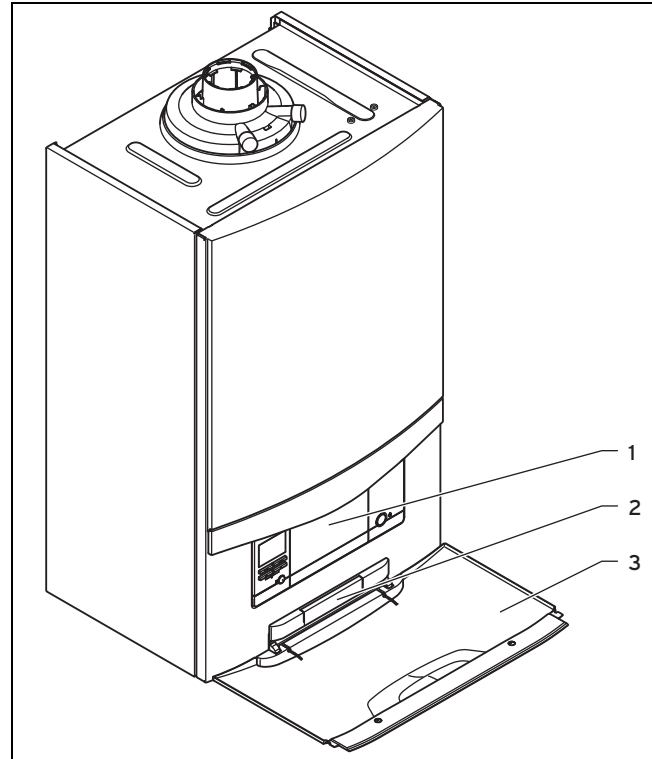
These instructions apply only to:

Product article number

	Article number	Gas Council Number
VU 126/5-5 (H-GB) ecoTEC plus 612	0010021828	41-694-20
VU 156/5-5 (H-GB) ecoTEC plus 615	0010021829	41-694-21
VU 186/5-5 (H-GB) ecoTEC plus 618	0010021830	41-694-22
VU 186/5-5 (P-GB) ecoTEC plus 618	0010021831	41-694-23
VU 246/5-5 (H-GB) ecoTEC plus 624	0010021832	41-694-24
VU 306/5-5 (H-GB) ecoTEC plus 630	0010021833	41-694-25
VU 306/5-5 (P-GB) ecoTEC plus 630	0010021834	41-694-26
VU 386/5-5 (H-GB) ecoTEC plus 637	0010021835	41-694-27
VUW 196/5-5 (H-GB) ecoTEC plus 825	0010021823	47-044-83
VUW 246/5-5 (H-GB) ecoTEC plus 832	0010021824	47-044-84
VUW 246/5-5 (P-GB) ecoTEC plus 832	0010021825	47-044-85
VUW 286/5-5 (H-GB) ecoTEC plus 838	0010021826	47-044-86
VUW 306/5-5 (H-GB) ecoTEC plus 835	0010021822	47-044-82
VUI 286/5-5 (H-GB) ecoTEC plus 938	0010021827	47-044-87

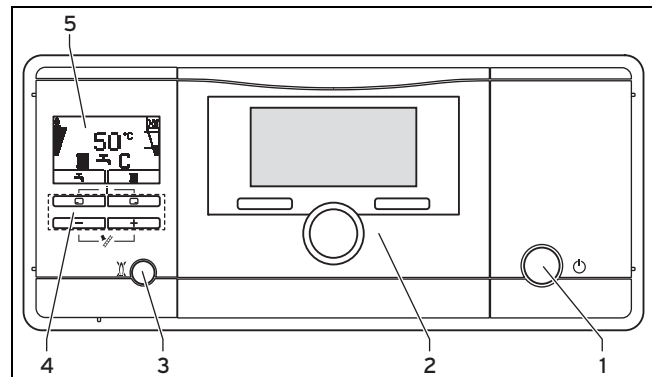
3 Product description

3.1 Product design



- 1 Control elements
- 2 Plate with serial number on the rear
- 3 Front flap

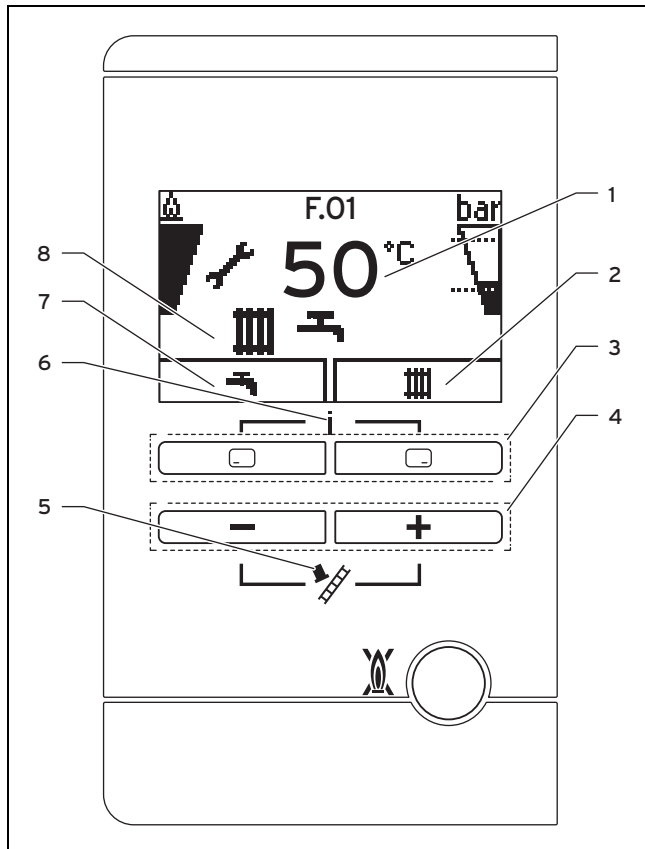
3.2 Control elements



- 1 On/off button
- 2 Built-in controller (accessory)
- 3 Fault clearance button
- 4 Operating buttons
- 5 Display

3 Product description

3.2.1 Operator control panel



- | | | | |
|---|--|---|--|
| 1 | Current heating flow temperature, filling pressure of the heating installation, operating mode, fault code or additional information | 4 | and button |
| 2 | Current assignment of the right-hand selection button | 5 | Maximum output operation (for chimney sweeps only) |
| 3 | Left- and right-hand selection buttons | 6 | Access to the menu for additional information |
| | | 7 | Current assignment of the left-hand selection button |
| | | 8 | Active operating status |

3.3 Displayed symbols

Symbol	Meaning	Explanation
	Burner operating correctly	Burner on
	Current filling pressure of the heating system The dashed lines show the permitted range	<ul style="list-style-type: none"> – Permanently on: Filling pressure in the permitted range – Flashing: Filling pressure outside the permitted range
	Hot water generation active	<ul style="list-style-type: none"> – Permanently on: Draw-off mode before burner is on – Flashing: Burner on in draw-off mode
	Heating mode active	<ul style="list-style-type: none"> – Permanently on: Heating mode heat requirement – Flashing: Burner on in heating mode

Symbol	Meaning	Explanation
	Comfort mode active	<ul style="list-style-type: none"> – Permanently on: Comfort mode active – Flashing: Comfort mode active, burner on
	Maintenance required	Information on the maintenance message in the "Live Monitor"
	Summer mode active Heating mode is switched off	
	Burner anti-cycling time is active	To avoid the need for frequent switching on and off (increases the product's working life).
 F.XX	Fault in the product	Appears instead of the basic display, may be an explanatory plain text display.

3.4 Information on the identification plate

The identification plate is mounted on the underside of the product in the factory.

Information on the identification plate	Meaning
	Read the instructions.
VU...	Vaillant gas-fired wall-hung boiler for heating
VUW..., VUI...	Vaillant gas-fired wall-hung boiler for heating and hot water generation
..6/5-5	Calorific value power/product generation equipment
ecoTEC plus	Product designation
2H, G20 – 20 mbar (2.0 kPa)	Gas group and gas connection pressure as set at the factory
ww/yyyy	Date of manufacture: Week/year
Cat.	Approved gas boiler category
Types	Approved units of type
PMS	Permissible total overpressure in heating mode
PMW	Permissible total overpressure during hot water generation
T _{max.}	Max. flow temperature
ED 92/42	Current efficiency directive fulfilled with 4* rating
V Hz	Mains voltage and mains frequency
W	Max. electrical power consumption
IP	Level of protection
	Heating mode
	Hot water generation
P	Nominal heat output range
Q	Heat input range
D	Nominal hot water draw-off rate
	Bar code with serial number, 7th to 16th digit = product article number

3.5 Serial number

The serial number is located on a plastic plate behind the front flap.

3.6 CE label



The CE label shows that the products comply with the basic requirements of the applicable directives as stated on the identification plate.

The declaration of conformity can be viewed at the manufacturer's site.

3.7 Energy Saving Trust Endorsed Products



Only the most energy efficient products can carry the 'Energy Saving Trust Endorsed Product' brandmark making it easy for consumers to choose products that have met strict energy performance criteria.

Available for: Boilers, Heating controls and chemical inhibitors, the Energy Saving Trust endorsed product brandmark gives consumers confidence that a product will cost less to run, help lower energy bills and reduce carbon emissions.

About the Energy Saving Trust

Energy Saving Trust is an independent and impartial organisation that provides trusted energy saving advice to empower millions of people to lead affordable, low energy lifestyles. For more information visit energysavingtrust.org.uk

3.8 Hot Water Association

Vaillant is a full member of the Hot Water Association and promotes the scheme in association with its cylinder range. Details are available on the web site www.vaillant.co.uk



3.9 Benchmark

Vaillant is a licensed member of the Benchmark Scheme. Benchmark places responsibilities on both manufacturers and installers.

The purpose is to ensure that customers are provided with the correct equipment for their needs, that it is installed, commissioned and serviced in accordance with the manufacturer's instructions by a competent person approved at the time by the Health and Safety Executive and that it meets the requirements of the appropriate Building Regulations.

The Benchmark Checklist can be used to demonstrate compliance with Building Regulations and should be provided to the customer for future reference.

Installers are required to carry out installation, commissioning and servicing work in accordance with the Benchmark Code of Practice which is available from the Heating and Hotwater Industry Council who manage and promote the Scheme.

Benchmark is managed and promoted by the Heating and Hotwater Industry Council.



For more information visit www.centralheating.co.uk

4 Operation

4.1 Operating concept

Operator control element	Function
	<ul style="list-style-type: none"> - Setting the hot water temperature - Cancelling the activation of an operating mode - Cancelling a change to a set value - Going one selection level higher
	<ul style="list-style-type: none"> - Setting the heating flow temperature - Reading the system pressure - Activating the comfort mode - Activating the operating mode - Confirm setting - Going one selection level lower
+ at the same time	<ul style="list-style-type: none"> - Calling up the menu
or	<ul style="list-style-type: none"> - Reducing or increasing the set value - Scrolling through menu entries

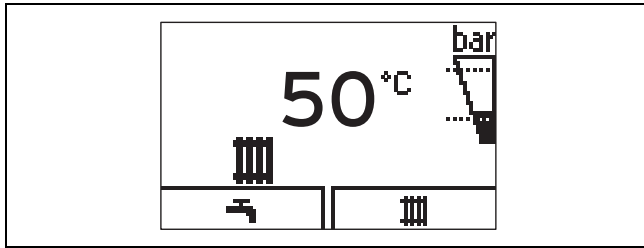
The current function of the and buttons is shown on the display.

Adjustable values are always displayed as flashing.

You must always confirm a change to a value. Only then is the new setting saved. You can press to cancel an operation at any time.

4 Operation

4.2 Basic display



The basic display shows the current condition of the product. If you press a selection button, the activated function is displayed in the display.

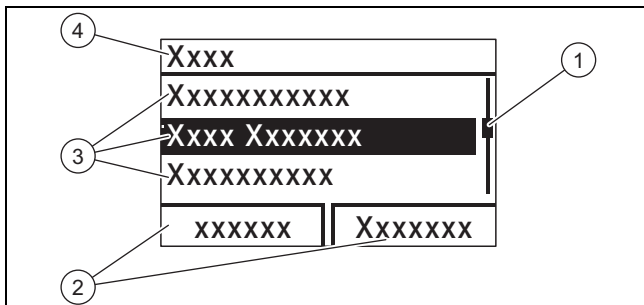
The functions that are available depend on whether a controller is connected to the product.

You can switch back to the basic display by:

- Pressing to exit the selection levels
- Not pressing any button for longer than 15 minutes.

If there is an error message present, the basic displays switches to the error message.

4.3 Menu display



- | | | | |
|---|--|---|------------------------------|
| 1 | Scroll bar | 3 | Selection level list entries |
| 2 | Current assignment of the and buttons. | 4 | Name of the selection level |

You can find an overview of the menu structure in the appendix.

Operator level – overview (→ Page 13)

4.4 Adjustment and display levels

The product has two adjustment and display levels.

The end user level contains information and setting options that you require as the end user.

The installer level is reserved for the competent person. It is protected by a code. Only competent persons may change any settings in the installer level.

Operator level – overview (→ Page 13)

4.5 Cabinet-type casing

Enclosing the product in cabinet-type casing requires compliance with the applicable design instructions.

If you require cabinet-type casing for your product, consult a heating specialist company. Never, under any circumstances, enclose the product yourself.

4.6 Opening the isolator devices

1. Ask the competent person who installed the product to explain to you where these isolator devices are located and how to handle them.
2. Open the gas isolator cock fully.
3. Open the service valves in the heating installation's flow and return.

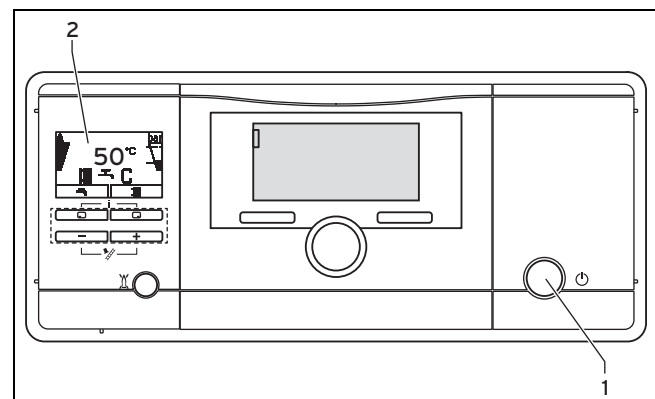
Conditions: Product with integrated hot water generation or connected domestic hot water cylinder

- ▶ Open the cold water stop valve.

4.7 Starting up the product

- ▶ Only start up the product once the casing has been completely closed.

4.8 Switching on the product



- ▶ Press the on/off button (1).
 - ◀ The "Basic display" (→ Page 8) (2) appears on the display.

4.9 Setting the language

1. Press **and hold** and **at the same time**.
2. **Also** briefly press .
3. **Press and hold** and until the display shows the language setting.
4. Select the required language by pressing or .
5. Confirm by pressing .
6. Once you have set the correct language, press again to confirm this.

4.10 Setting the heating flow temperature

- Press (⊖).

 - ◁ The target value of the heating flow temperature appears on the display.



Note

The competent person may have adjusted the maximum possible temperature.

Conditions: No controller connected

- ▶ Use or to set the required heating flow temperature.
- ▶ Confirm by pressing .

Conditions: Controller connected

- ▶ Set the maximum possible heating flow temperature on the product.
- ▶ Confirm by pressing .
- ▶ Set the required heating flow temperature on the controller (→ Controller operating instructions).

4.11 Setting the hot water temperature



Warning.

Risk of being scalded by hot water.

To protect against Legionella, the hot water can be heated up to above 60 °C at pre-defined times.

- ▶ Have a competent person inform you about the measures that should be taken to protect against Legionella in your system.

- Press (⊖).

 - ◁ The set hot water temperature flashes in the display.

Conditions: No controller connected

- ▶ Change the hot water temperature by pressing or .
- ▶ Confirm by pressing .

Conditions: Controller connected

- ▶ Use to set the maximum possible hot water temperature on the product.
- ▶ Confirm by pressing .
- ▶ Set the required hot water temperature on the controller (→ Controller operating instructions).

4.12 Switching Comfort mode on and off



Note

Comfort mode immediately supplies hot water at the required temperature, without you having to wait for the water to heat up.

- Press (⊖).
- Press (⊖) or (⊕).

 - ◁ **Comfort on** or **Comfort off** are shown flashing in the display.

- Activate or deactivate Comfort mode by pressing or respectively.
- Press to confirm this change.
 - ◁ When you have activated Comfort mode, the "C" symbol appears on the basic display. When you have deactivated Comfort mode, the "C" symbol goes out on the basic display.

4.13 Activating the shift-load cylinder

Applicability: Product with integrated hot water generation and shift-load cylinder

To activate an **actoSTOR** shift-load cylinder which is also connected, you must switch on cylinder charging on your product.

- ▶ To do this, activate Comfort mode (Comfort mode (→ Page 9)).
 - ◁ The symbol "C" appears in the display.
- ▶ Set the hot water temperature.

Conditions: Cylinder charging switched on

- Hot water temperature: 50 ... 65 °C



Danger!

Risk of scalding!

The products are equipped with an automatic anti-legionella function: If the temperature in the shift-load cylinder falls below 50 °C for 24 hours, the cylinder is heated up to 70 °C once.

- ▶ Please note when drawing water that it can be very hot.

- ▶ If you want to switch off the "Anti-legionella function", you should ask a competent person.
- ▶ If you want to switch off cylinder charging, deactivate Comfort mode "Switching Comfort mode on and off (→ Page 9)".

Conditions: Cylinder charging switched off

- Hot water temperature: 35 ... 65 °C

- ◁ The cylinder is not maintained at a specific temperature. If you draw off the water, the product switches on and, in this case, only operates as an instantaneous water heater.

4 Operation

4.14 Setting the target cylinder temperature


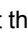
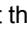


Applicability: Product with integrated hot water generation and shift-load cylinder

Conditions: Water hardness: > 3.57 mol/m³

- ▶ Have a competent person take appropriate measures to protect against Legionella.
- ▶ Set the target cylinder temperature to a maximum of 50 °C.

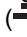
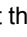
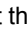

4.15 Switching off the product's functions

4.15.1 Switching off heating mode (Summer mode)

1. To switch off heating mode without switching off hot water generation, press  ().
 - ◁ The value of the heating flow temperature appears in the display.
2. Use the  button to set the heating flow temperature to **Heating off**.
3. Confirm by pressing .
 - ◁ Heating mode is switched off.
 - ◁ The  symbol appears on the display.

4.15.2 Switching off hot water generation

Applicability: Product with hot water generation through external domestic hot water cylinder

1. To switch off cylinder charging without switching off heating mode, press  ().
 - ◁ The set hot water temperature flashes in the display.
2. Use the  button to set the hot water temperature to **Heating off**.
3. Confirm by pressing .
 - ◁ Cylinder charging is switched off.
 - ◁ Only the frost protection function for the cylinder remains active.

4.16 Guaranteeing the correct filling pressure of the heating system


4.16.1 Checking the filling pressure of the heating installation




Note

To ensure that the heating installation operates smoothly, the filling pressure when the heating installation is cold must be between 0.1 MPa and 0.2 MPa (1.0 bar and 2.0 bar) or lie between the two dashed lines in the bar graph display.

If the heating installation extends over several storeys, a higher filling pressure may be required for the heating installation. Ask a competent person for details.

In addition, the  symbol appears after approx. one minute.

If the filling pressure in the heating installation falls below 0.05 MPa (0.5 bar), then the product switches off. The display alternates between the fault message **F.22** and the current filling pressure.

1. Press  twice.
 - ◁ The values for the current filling pressure and for the minimum and maximum filling pressures appear in the display.
2. Check the filling pressure in the display.
1 / 2
System pressure: 0.1 ... 0.2 MPa (1.0 ... 2.0 bar)
The filling pressure is in the intended pressure range.
2 / 2
Filling pressure: < 0.08 MPa (< 0.80 bar)
 - ▶ Fill the heating installation. (→ Page 10)
 - ◁ If you have topped up the installation with sufficient heating water, the display automatically disappears after 20 seconds.

4.16.2 Filling the heating installation



Caution.

Risk of material damage due to heating water that is extremely calciferous or corrosive or contaminated by chemicals.

Unsuitable tap water damages the seals and diaphragms, blocks components in the product and heating installation through which the water flows and causes noise.

- ▶ Only fill the heating installation with suitable heating water.

1. Ask a competent person where the filling cock is located.
2. Connect the filling tap to a heating water supply in the way you were told by the competent person.
3. Open all radiator valves (thermostatic radiator valves) of the heating installation.
4. Open the heating water supply.

5. Turn the filling cock on slowly and allow water to flow in until the required filling pressure has been reached.
6. Close the heating water supply.
7. Purge all radiators.
8. Check the filling pressure in the display.
9. Top up with more water if necessary.
10. Close the filling cock.
11. Return to the basic display. (→ Page 8)

4.17 Protecting the heating installation against frost

4.17.1 Frost protection function



Caution.

Risk of material damage due to frost.

The frost protection function cannot guarantee flow through the entire heating installation, which means that parts of the heating installation may freeze and therefore become damaged.

- ▶ During a period of frost, ensure that the heating installation remains in operation and that all rooms are sufficiently heated, even when you are away.



Note

To keep the frost protection devices active, you should switch your product on and off using the controller, if one is provided.

If the heating flow temperature falls below 5 °C when the on/off button is on, the product comes into operation and heats the circulating water to approx. 30 °C on both the heating side and the hot water side (if available).

4.17.2 Draining the heating installation

You can guarantee frost protection during very long switch-off times by draining the heating installation and the product completely.



- ▶ Consult a competent person about this.

5 Troubleshooting

5.1 Detecting and rectifying faults

- ▶ If faults occur, proceed in accordance with the table in the appendix.
Troubleshooting (→ Page 14)
- ▶ If you have been unable to eliminate the fault using the measures specified, or fault messages (F.xx) appear, consult a competent person.

5.2 Calling up (Live monitor) status codes

- ▶ Press  and  at the same time.
Status codes – Overview (→ Page 13)
- ◀ The current operating status (status code) is shown on the display.

6 Care and maintenance

6.1 Maintenance

An annual inspection of the product carried out by a competent person is a prerequisite for ensuring that the product is permanently ready and safe for operation, reliable, and has a long working life.

After servicing, complete the relevant service interval record section of the benchmark checklist, located at the rear of the installation manual.

6.2 Caring for the product




Caution.

Risk of material damage caused by unsuitable cleaning agents.

- ▶ Do not use sprays, scouring agents, detergents, solvents or cleaning agents that contain chlorine.

- ▶ Clean the casing with a damp cloth and a little solvent-free soap.

6.3 Reading maintenance messages

If the  symbol is shown on the display, the product requires maintenance work.

The product is not in fault mode but continues to operate.

- ▶ Consult a competent person about this.
- ▶ If the water pressure is flashing at the same time, simply add more heating water.

6.4 Checking the condensate drain pipework and tundish

The condensate drain pipework and tundish must always be penetrable.

- ▶ Regularly check the condensate drain pipework and tundish for faults and, particularly, for blockages.

You must not be able to see or feel any obstructions in the condensate drain pipework and tundish.

- ▶ If you notice a fault, have it rectified by a competent person.

7 Decommissioning

7 Decommissioning

7.1 Temporarily decommissioning the product



Caution.

Risk of material damage due to frost.

The frost protection and monitoring devices are only active while the unit is connected to the power mains and switched on via the on/off button, and when the gas isolator cock is open.

- ▶ Temporarily decommission the product only if no frost is expected.

- ▶ Temporarily decommission the product only if no frost is expected.
- ▶ Press the on/off button.
 - ◀ The display goes out.
- ▶ When decommissioning the product for a prolonged period (e.g. holiday), close the gas isolator cock and also, for combination products, the cold water stop valve.

7.2 Permanently decommissioning the product

- ▶ Have a competent person permanently decommission the product.

8 Recycling and disposal

- ▶ The competent person who installed your product is responsible for the disposal of the packaging.



If the product is identified with this symbol:

- ▶ In this case, do not dispose of the product with the household waste.
- ▶ Instead, hand in the product to a collection centre for old electrical or electronic appliances.



If the product contains batteries that are marked with this symbol, these batteries may contain substances that are hazardous to human health and the environment.

- ▶ In this case, dispose of the batteries at a collection point for batteries.

9 Guarantee and customer service

9.1 Guarantee

- Two year guarantee for ecoTEC plus appliances

Vaillant provides this appliance with a parts and labour guarantee against defects that may occur within twenty-four months of the installation date. For the 2nd year of the guarantee to be valid an annual service must be carried out by a competent person approved at the time by the Health and Safety Executive one year after installation. The cost of this annual service is not included in the guarantee.

- Registering with us

Registration is simple. Just complete the Guarantee Registration Card and return to Vaillant within 30 days of installation. Your details will then be automatically registered within the Vaillant scheme.

- Immediate help

If your Vaillant boiler develops a fault your first action should be to contact your installer, as his professional assessment is needed under the terms of our Guarantee. If you are unable to contact your installer, phone Vaillant Service Solutions:

Telephone: 0330 100 3461

9.2 Customer service

To ensure regular servicing, it is strongly recommended that arrangements are made for a Maintenance Agreement. Please contact Vaillant Service Solutions for further details:

Telephone: 0330 100 3461

Appendix

A Operator level – overview

Setting level	Values		Unit	Increment, select	Default setting
	Min.	Max.			
Water pressure →					
Water pressure	Current value		bar		
Live monitor →					
Status	Current value				
Information →					
Contact details	Phone number				
Serial number	Permanent value				
Display contrast	Current value			1	25
	15	40			
Basic settings →					
Language	Current language			Languages available for selection	Country-specific
Resets →					
Reset anti-cycl. time	Current value		min		

B Status codes – Overview

Status codes that are not listed here can be viewed in the installation instructions.

Status code	Parameter	Meaning
Displays in heating mode		
S.00	Heating: No heat demand	Heating: No heat demand
S.02	Heating mode: Pump pre-run	Heating mode: Pump pre-run
S.03	Heating mode: Ignition	Heating mode: Ignition
S.04	Heating mode: Burner on	Heating mode: Burner on
S.06	Heating mode: Fan overrun	Heating mode: Fan overrun
S.07	Heating mode: Pump overrun	Heating mode: Pump overrun
S.08	Heating mode: Anti-cycling time	Heating, remaining anti-cycling time xx mins
Displays in hot water handling mode		
S.10	DHW demand	Hot water requirement via flow sensor
S.14	DHW mode: Burner on	DHW mode: Burner on
Displays in Comfort mode with warm start or hot water handling mode with cylinder		
S.20	DHW demand	Hot water requirement
S.22	DHW mode: Pump pre-run	DHW mode: Pump pre-run
S.24	DHW mode: Burner on	DHW mode: Burner on
Others		
S.31	No heat demand: Summer mode	Summer mode active
S.34	Heating mode: Frost protection	Frost protection mode, frost protection
S.46	Waiting time: Measuring program	Comfort protection mode, flame loss at minimum load

Appendix

C Troubleshooting

Fault	Cause	Measure
Product does not start up: – No hot water – Heating remains cold	The gas isolator cock installed on-site and/or the gas isolator cock on the product is closed.	Open both gas isolator cocks.
	The power supply in the building is disconnected.	Check the fuse in the building. The product switches on automatically when the power is restored.
	The product is switched off.	Switch on the product (→ "Switching on the product" section).
	The heating flow temperature is set too low or to the Heating off position, and/or the hot water temperature is set too low.	Set the heating flow temperature and hot water temperature (→ "Setting the heating flow temperature" section/→ "Setting the hot water temperature" section).
	The system pressure is insufficient. Low water pressure in the heating installation (fault message: F.22).	Fill the heating installation (→ "Filling the heating installation" section).
	There is air in the heating installation.	Have your competent person purge the heating installation.
	After three unsuccessful attempts to ignite the flame, the product switches to fault mode (fault message: F.28).	Press the fault clearance key for one second. The product makes another attempt to ignite the flame. If you have been unable to eliminate the ignition fault after three fault clearance attempts, consult a competent person.
Hot water generation functioning correctly; heating does not start up.	The external controller is not set correctly.	Set the external controller correctly (→ Controller operating instructions).



0020245033_02

0020245033_02 ■ 26.05.2021

Supplier

Vaillant Ltd.

Nottingham Road ■ Belper ■ Derbyshire ■ DE56 1JT

Telephone 0330 100 3461

info@vaillant.co.uk ■ www.vaillant.co.uk

© These instructions, or parts thereof, are protected by copyright and may be reproduced or distributed only with the manufacturer's written consent.

We reserve the right to make technical changes.