

Heating Hot water Renewables

# Why Vaillant? Because we're experts at renewable technologies

aroSTOR floor standing domestic hot water heat pump



 **Vaillant** Comfort for your home

# Introducing the aroSTOR domestic hot water heat pump



---

Vaillant is the leading premium brand for sustainable and responsible system solutions, ensuring your customers experience comfort for their home. Our products have high energy efficiency ratings and low emissions, with an enviable reputation for performance, quality and reliability.

---

## Introducing the domestic hot water heat pump with natural refrigerant: The aroSTOR

The aroSTOR range of domestic hot water heat pumps features 200 and 270 litre models. The range is incredibly efficient and sustainable, using thermal energy to heat hot water. This thermal energy can be collected via an external air duct, or it can recycle hot air from within the room where it's installed, provided there is sufficient ventilation. The only other energy needed is the electricity to run the appliance.



Visit [www.vaillant.co.uk/aroSTOR](http://www.vaillant.co.uk/aroSTOR) to find out more

# The aroSTOR heat pump benefits at a glance

- **Highly energy efficient and reliable**

Highly efficient heat pump circuit gives high COP of >3.2 and best possible ErP label of A+



- **High quality material and components**

The stainless steel tank comes with a five year warranty (two years for other components)

- **Flexible siting options**

A small footprint and range of 360° air duct accessories offers flexible options for siting of the appliance

- **Extremely quiet operation**

Advanced insulation and use of rubber on the compressor for quiet operation

- **Hot water on demand**

Self managing hot water comfort with electrical back up heater for hot water boost (and Legionella protection)

- **No additional measurements required on site**

A completely stand alone hot water solution

- **1.2 kW titanium electrical back-up heater**

Titanium is a more corrosion resistant material than copper and is also more resistant to calcium build up

- **Easy transportation**

The aroSTOR is top heavy, so we deliver it in a strong bag that is easy for two people to carry

- **ErP A+ rated product**

ErP rating A+ (A+ - F)

- **Controls**

Comes with integrated control

- **Our team of UK technical advisors are available six days a week**

Giving you top-notch technical advice on the phone when you need it

## Natural refrigerant

Vaillant's aroSTOR heat pumps use only R290 natural refrigerant. This is the refrigerant used in everyday household appliances such as domestic fridge freezers. The use of this refrigerant means that the aroSTOR is future-proof, being already compliant with the Montreal and Kyoto Protocols. These were introduced to combat global warming by banning the use of chemical refrigerants such as the chlorine and fluorine compounds known as CFCs and HFCs. The use of this refrigerant also complies with F-Gas Regulation, the Europe-wide strategy to phase-out the use of fluorine based refrigerants by 2030.

The use of R290 means the aroSTOR has an incredibly low Global Warming Potential (GWP) of just three and an Ozone Depletion Potential (ODP) of zero. R290 gives excellent performance for water heating. It is able to deliver 60° in the cylinder without any need for a back-up heater, whilst still providing strong efficiency levels.

### Control

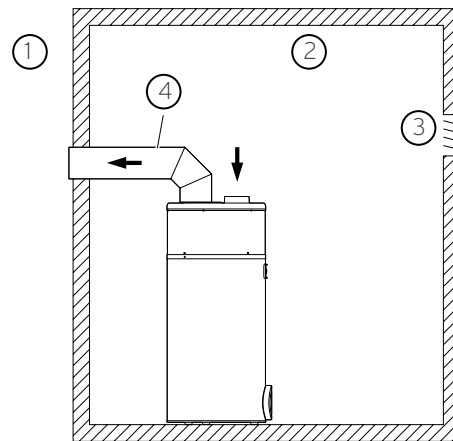
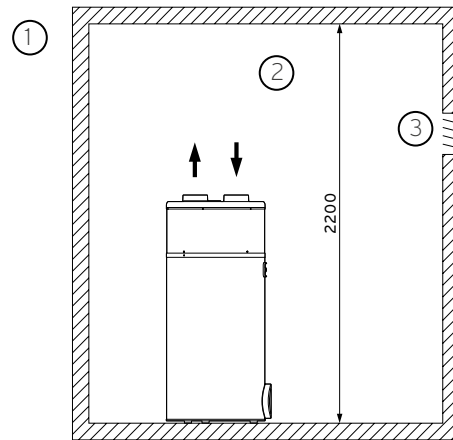
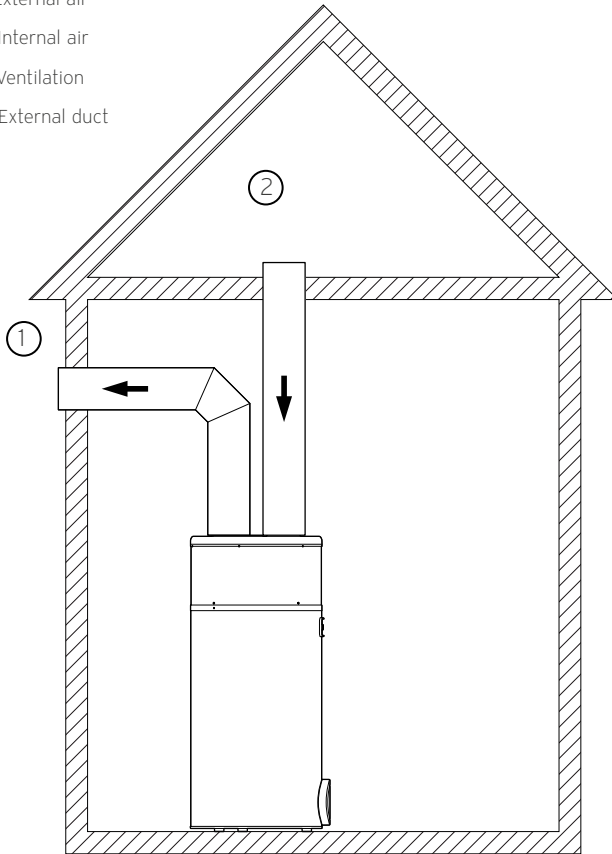
aroSTOR heat pumps come with their own control fixed to the unit. This is a simple turn dial and push button control that has been specially designed for the aroSTOR.



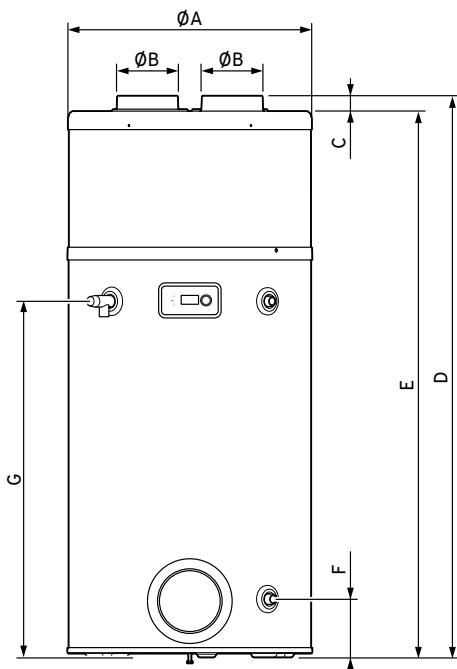
# Technical data

## aroSTOR heat pump 200 and 270 litres

- 1. External air
- 2. Internal air
- 3. Ventilation
- 4. External duct



### Product dimensions and connection dimensions



### Unit dimensions and connection dimensions

	aroSTOR 200 litre	aroSTOR 270 litre
A	634mm	634mm
B	158mm	158mm
C	40mm	40mm
D	1,458mm	1,783mm
E	1,418mm	1,743mm
F	151mm	151mm
G	924mm	1,249mm

# Technical data

## aroSTOR heat pump 200 and 270 litres

	aroSTOR 200 litre	aroSTOR 270 litre
<b>General</b>		
Nominal capacity	200l	270l
Outer diameter	634 mm	634 mm
Height	1,458 mm	1,783 mm
Weight (when empty)	55kg	68kg
Weight (filled)	255kg	338kg
Cylinder material	Stainless steel	Stainless steel
Heat insulation	Polyurethane foam 50 mm	Polyurethane foam 50 mm
Type of electric heater	Immersion / Ti	Immersion / Ti
Thermal losses 55°C	1,61 kW/24h	1,77 kW/24h
DHW temperature range (HP only)	30 to 60°C	30 to 60°C
Max. temperature of DHW HP inlet domestic water	70°C	70°C
Minimal air flow range	320 m3/h	320 m3/h
Nominal air flow range	350 m3/h	350 m3/h
Maximum air flow range (non ducted)	400 m3/h	400 m3/h
Maximum pressure	6 bar	6 bar
Max. hot water temperature (HP + back up heater)	65°C	65°C
Maximum pressure of the T&P relief valve	7 bar	7 bar
Maximum temperature of the T&P relief valve	90°C	90°C
<b>Electrical specifications</b>		
Max. power consumption (HP + back up heater)	1900 watts	1900 watts
Max. power consumption (HP only)	700 watts	700 watts
Voltage and frequency of the product's power supply	230v - 50Hz	230v - 50Hz
Max amperage of the power supply circuit	8 amp	8 amp
Length of the electrical cable supplied	1.5m	1.5m
IP rating	IPX4	IPX4
Nominal heat output of the electric back-up heater	1.2kW	1.2kW
<b>Connections</b>		
Connections for the hot water circuit	M 3/4"	M 3/4"
Connecting the temperature and pressure relief valve	M 3/4"	M 3/4"
Max. flexible air duct length	10m	10m
Max. rigid air duct length	20m	20m
Min. distance between product and adjacent structures	0mm	0mm
Fuse size	13 amp	13 amp
<b>Specifications for the heat pump (in accordance with EN 16147:2017)</b>		
Refrigerant type	R290	R290
Refrigerant volume for complete filling	0.15kg	0.15kg
Minimum and maximum air temperatures	-7 to 35°C	-7 to 35°C
Sound power level	52 dB	52 dB
Coefficient of performance	3.19	3.14
Maximum usable domestic hot water at 54°C	247 litres	349 litres
Full re-heat time at A7	7.04 hr	10.15 hr
<b>(in accordance with EN 16147:2017)</b>		
Tapping profile	L	L
ErP rating (A+ - F)	A+	A+
Seasonal efficiency	132%	130%

# Contacts

## Sales Support

Vaillant products are available to purchase from reputable heating merchants in the UK. To find contact details for your nearest Vaillant representative:

**Telephone: 0345 602 0262**

## Technical Enquiries

For technical assistance and renewable service:

**Telephone: 0330 100 3540**

**Email: [aftersales@vaillant.co.uk](mailto:aftersales@vaillant.co.uk)**

## General Enquiries

If you have a general enquiry our friendly reception staff will happily point you in the right direction:

**Telephone: 0345 602 2922**

## Training Enquiries

Vaillant provides many different training courses. For more information:




**Telephone: 0345 601 8885**

**Email: [training@vaillant.co.uk](mailto:training@vaillant.co.uk)**

## Dedicated state of the art Centres of Excellence

Located in Glasgow, Elland (near Leeds), Belper (near Derby), Farnborough, Bristol and Maidstone, you can rest assured there is a centre never far away from where you are. Our centres have been developed and designed with you in mind, offering spacious facilities, a comfortable and superbly equipped training environment, with plenty of opportunities for hands on experience and product familiarisation.



 Heating  Hot water  Renewables


### Vaillant Group UK Ltd.

Nottingham Road, Belper, Derbyshire DE56 1JT

Telephone 0345 602 2922

[www.vaillant.co.uk/Renewables](http://www.vaillant.co.uk/Renewables)

[info@vaillant.co.uk](mailto:info@vaillant.co.uk)

 [vaillantuk](#)  
 [VaillantUK](#)  
 [vaillant.uk](#)  
 [Vaillant UK](#)