

Heating Hot water Renewables

# For lasting comfort in every one of your customers' homes





|  |    |
|--|----|
| About Vaillant.....                    | 4  |
| Why choose a Vaillant product.....     | 6  |
| ecoTEC & ecoFIT combi boilers.....     | 8  |
| ecoTEC & ecoFIT system boilers.....    | 18 |
| ecoTEC & ecoFIT open vent boilers..... | 26 |
| Terminal clearances.....               | 30 |
| Flue lengths.....                      | 31 |
| Flue solutions.....                    | 32 |
| System filters.....                    | 35 |
| Domestic hot water cylinders.....      | 37 |



|                                 |    |
|---------------------------------|----|
| Training .....                  | 44 |
| Service and spares support..... | 45 |
| Order numbers.....              | 46 |

Please note the information contained in this guide is for the use of competent and qualified heating engineers in the UK. We always recommend attending a training course provided by Vaillant to ensure complete knowledge of the appliance and/or accessories you are installing. The Vaillant Group does not warrant the accuracy or completeness of any of the information provided in this brochure. Should you require any clarification or further information, please speak with your Regional Business Manager or call our technical helpline. The Vaillant Group does not accept liability or responsibility resulting from the installer's failure to comply with the guides or otherwise. For more detailed information, please refer to the installation manual for each product you are using.

# About Vaillant



## The Vaillant Group

Vaillant UK is proud to be part of the worldwide heating and hot water corporation Vaillant Group, a family-owned business that was founded by Johann Vaillant in his workshop in Remscheid, Germany in 1874.

In 1894, Johann patented a new closed-system gas-fired bathroom boiler. Over the years, Johann's technical innovations continued and in 1924, he launched the world's first central heating boiler. Since these revolutionary inventions, Vaillant continues to drive the evolution of heating technologies, launching the first ever combi boiler in 1967, and the game changing aroTHERM plus in 2020.

Today, Vaillant is still setting the standard in the heating marketplace, developing market leading products that work seamlessly together, to provide a full systems solution. With a growing focus on developing products that use renewable energy, Vaillant became the first boiler manufacturer in the UK to launch a heat pump production line, which opened at their headquarters in Belper, 2022.

# Setting the standards since 1874

## Manufacturing at its finest

At Vaillant, we think ahead. By choosing our heating appliances, you choose the pioneering excellence of German design and UK manufacturing expertise that create reliable products specially designed for application in all markets.

As well as designing products to be as efficient as possible, we constantly review and update our manufacturing processes and environments.

Our UK factory continues to receive awards year after year in many categories. In addition to the many manufacturing awards we have received, we are especially proud to have been awarded the RoSPA Gold Award for world-class health and safety management systems for seven consecutive years. Since 2017, we have been accredited a gold Investors in People award.

Vaillant has very high standards in manufacturing to ensure we make outstanding products. Our products are manufactured to meet ISO 9001, 18001, 14000 and many are Quiet Mark™ approved, which means that they use innovative and efficient technology that guarantees reduced noise levels.





### **Why choose a Vaillant product**

Vaillant manufactures one of the largest ranges of boilers in the world and has its own renewables portfolio. From simple boilers for small dwellings to complex hybrid systems for commercial premises, Vaillant has a solution for every building's requirements.

Our core business is our award winning domestic boiler range. Vaillant produces wall-hung boilers with outputs from 10kW to 64kW and has open vent, system and combination models. With a wide range of flue options and a vast catalogue of accessories, including our own range of cylinders, we are confident we have a solution for every installation. We can even offer a unique combination storage boiler that has a 21 litres per minute flow rate.

Vaillant also manufactures boilers for commercial installations. Vaillant's commercial portfolio consists of large output wall-hung and floor-standing condensing boilers with compatible cascade rigs and accessories to cater for simple and large scale projects.



### Vaillant controls

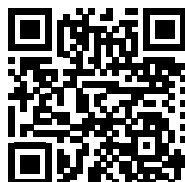
We always recommend our appliances are fitted with a Vaillant control. Vaillant has a wide range of controls, and each uses eBUS protocol, our proprietary technology that ensures each element of a Vaillant system can communicate to ensure it is always working with ultimate efficiency.

Every Vaillant heating appliance can be matched with the perfect control to ensure compliance with Boiler Plus legislation.

Vaillant's controls range from simple analogue controls to smart app-controlled models that can be integrated with smart home systems and alert you to faults. Our latest range of senso controls have been designed to be incredibly easy to use and, with a stylish contemporary design, will look beautiful wherever they're sited.

Fitting Vaillant connected controls offers the ability to remotely monitor your customers system with myVAILLANT Pro. Add value to your service offer, using remote diagnostics to gain insight of the system before needing to visit the customer.

Scan to learn more about  
Vaillant controls.



Scan to learn more about  
myVAILLANT Pro.



# ecoTEC exclusive with Green iQ

## Combination boilers



### Overview

The ecoTEC exclusive range of boilers provide great performance by intelligently managing consumption and output to keep all of its components running at peak performance, for longer, providing a low maintenance solution that you can rely on. The ecoTEC exclusive has a low carbon footprint and is more than 85% recyclable at the end of its life.

The combination range features 35 and 43kW output models, which deliver much higher-than-average heating outputs and hot water flow rates, making the ecoTEC exclusive perfect for larger properties. The design of this range allows domestic hot water to be pre-heated using what would be wasted flue gas energy, making it Boiler Plus compliant out of the box.

### Features & benefits



#### 10-year guarantee available

Free 5-year guarantee out of the box as standard. Extended guarantee available when installed with a Boiler Protection Kit and registered on Advance.



#### Green iQ mode

Providing outstanding eco-credentials which optimise running cycles, resulting in even lower gas consumption and lower energy bills.



#### Wide modulation range of up to 1:10

Adapts perfectly to all systems in every situation, ensuring lowest fuel bills for your customers.



#### Extra condense stainless steel heat exchanger

Takes overall combination boiler to the next level, and almost eliminates plume in DHW mode.



#### Easy installation and maintenance

Accessible layout allows all components to be replaced from the boiler front, with removable side panels for even more access. Step-by-step full text installation wizard helps for quicker set-up.



#### Self-diagnostic combustion intelligence

Includes flame lift detection for more efficient and quieter combustion.



#### All-gas system

As a self-adaptive system, it automatically adjusts to all types of gas, including LPG for off-gas areas.



#### Premium quality components

Includes brass diverter valve, ensuring highest reliability and performance.



| Technical data   | Unit of measure     | ecoTEC exclusive 835 | ecoTEC exclusive 843 |
|--|---------------------|----------------------|----------------------|
| <b>General</b>   |                     |                      |                      |
| Boiler type  |                     | Combination          |                      |
| Boiler output  | kW                  | 35                   | 43                   |
| Article number   |                     | 0010017064           | 0010017065           |
| Gas Council number   |                     | 47-044-66            | 47-044-67            |
| Boiler dimensions (HxWxD)                                  | mm                  | 720 x 440 x 406      | 720 x 440 x 474      |
| <b>Performance</b>   |                     |                      |                      |
| NOx (En 15502-2-1)   | mg/kWh              | 35                   | 36                   |
| ErP efficiency (heating / DHW)                             | A+++ - D / A+ - F   | A / A                |                      |
| ErP efficiency   | %                   | 94                   |                      |
| ErP decibel rating (sound power)                           | dBa                 | 43                   | 51                   |
| <b>Heating</b>   |                     |                      |                      |
| Nominal heat output range at 50/30°C (condensing mode)     | kW                  | 3.9 - 26.4           | 4.8 - 36.0           |
| Nominal heat output range at 80/60°C (non condensing mode) | kW                  | 3.4 - 24.6           | 4.3 - 33.4           |
| Maximum flow temperature                                   | °C                  | 85                   |                      |
| Flow temperature range                                     | °C                  | 30 - 80              |                      |
| Flow temperature factory setting                           | °C                  | 75                   |                      |
| Approximate condensate volume at 50/30°C                   | Litres/hr           | 2.48                 | 3.37                 |
| Modulation (max/min)                                       | 1 : X               | 1:10.4               | 1:10.1               |
| <b>Domestic hot water</b>                                  |                     |                      |                      |
| Maximum heat output for water generation                   | kW                  | 35.3                 | 43.4                 |
| Lowest water pressure to operate boiler                    | Bar                 | 0.35                 |                      |
| Lowest water flow for operation                            | l/min               | 1.5                  |                      |
| Lowest water pressure for maximum flow rate                | Bar                 | 0.8                  |                      |
| Domestic hot water flow rate (at $\Delta t = 35K$ )*       | l/min               | 14.5                 | 17.8                 |
| Hot water output temperature range                         | °C                  | 35 - 65              |                      |
| <b>Mechanical</b>  |                     |                      |                      |
| Expansion vessel size                                      | Litres              | 10                   |                      |
| Gas inlet connection (pipe size)                           | mm                  | 15                   | 22                   |
| Heating flow and return connections (pipe size)            | mm                  | 22                   |                      |
| Hot and cold water connections (pipe size)                 | mm                  | 15                   |                      |
| Heat exchanger material                                    | Stainless/Aluminium | Stainless steel      |                      |
| Boiler lift weight (dry boiler)                            | kg                  | 47.5                 | 55.0                 |
| Maximum horizontal flue length 60/100                      | m                   | 5.5                  |                      |
| Rear flue options  | Yes/No              | No                   |                      |
| Permissible flue classifications                           |                     | C13, C33, C53        |                      |
| <b>Minimum clearances</b>                                  |                     |                      |                      |
| Side left and right  | mm                  | 5                    |                      |
| Top (when using 60/100 flue elbow)                         | mm                  | 165                  |                      |
| Below  | mm                  | 180                  | 300                  |
| Front  | mm                  | 500**                |                      |

\* Vaillant combination boilers are fitted with a flow regulator set to achieve a temperature rise of 42°C. This maintains comfortable bathing and showering during the colder months of the year.

\*\* Can be reduced to 5mm if fitted behind a door / panel which then gives 500mm once removed / opened.

# ecoTEC plus

## Combination boilers



### Overview

The new Vaillant ecoTEC plus combination boiler range has been refined and taken to the next level. Paired with our new plug-and-play internet gateway, myVAILLANT connect, it enables app control, smart home integration and remote appliance care and support in minutes, for increased efficiency and first-class customer service. The combination range features 26, 32, 36 and 40kW output models.

Beneath its familiar curved case, the internal layout of the new ecoTEC plus has been finely tuned to ensure all components are easily accessible, making maintenance and servicing straightforward, and installation effortless. The semi-touch interface ensures easy, intuitive operation, while enhanced connectivity opens up more possibilities for remote diagnostics, performance monitoring and control.

### Features & benefits



#### 10-year guarantee available

Free 5-year guarantee out of the box as standard. Extended guarantee available when installed with a Boiler Protection Kit and registered on Advance.



#### Smart home ready when used with myVAILLANT connect

The myVAILLANT connect internet gateway accessory works seamlessly with this range of ecoTEC plus boilers enabling easy connection to Vaillant controls with app connectivity and smart speaker integration\* in minutes.



#### Familiar footprint and external layout

Retaining the same case dimensions, boiler footprint, flue position and pipe connections for an effortless like-for-like swap.



#### New intuitive semi-touch interface\*\*

Allowing for effortless first-time installation and set-up, with guided commissioning and set up wizard and easy to follow navigation.



#### Automatic LPG conversion on most outputs\*\*\*

Completed in minutes using the new intuitive interface, with no additional parts required.



#### New IoniDETECT technology

Intelligent gas combustion monitoring, helping the new ecoTEC plus reach wider modulation range of up to 1:11, for even greater system efficiency.



#### Sharpened intelligence with LIN bus technology

Enables more intelligent and accurate reading of flow rate and pressure differential via internal pump for improved performance.

\* Compatible with the senso controls range and the VRC 700. Only for use with single heating zones.

\*\* New interface design not compatible with the timeSWITCH 150 and timeSWITCH 160.

\*\*\* Excluding ecoTEC plus 840, 940 and 635.

| Technical data  | Unit of measure     | ecoTEC plus 826    | ecoTEC plus 832 | ecoTEC plus 836 | ecoTEC plus 840 |
|---|---------------------|--------------------|-----------------|-----------------|-----------------|
| <b>General</b>  |                     |                    |                 |                 |                 |
| Boiler type   |                     | Combination        |                 |                 |                 |
| LPG compatible  | Yes/No              | Yes - adaptive     |                 |                 | No              |
| Article number  |                     | 0010036015         | 0010036016      | 0010036017      | 0010036018      |
| <b>Dimensions</b>   |                     |                    |                 |                 |                 |
| Boiler dimensions (HxWxD)                                   | mm                  | 720 x 440 x 352    |                 |                 | 720 x 440 x 386 |
| Side clearance  | mm                  | 5                  |                 |                 |                 |
| Top clearance (with 60/100 flue)                            | mm                  | 165                |                 |                 |                 |
| Top clearance if using rear flue                            | mm                  | N/A                |                 |                 |                 |
| Bottom clearance  | mm                  | 180                |                 |                 |                 |
| Front clearance*  | mm                  | 500                |                 |                 |                 |
| <b>Performance</b>  |                     |                    |                 |                 |                 |
| NOx (En 15502-2-1)  | mg/kWh              | 33.0               | 27.0            | 28.0            | 26.0            |
| ErP efficiency  | %                   | 93                 | 94              |                 |                 |
| ErP decibel rating (sound power)                            | dB(A)               | 46                 | 45              | 47              | 49              |
| ErP efficiency Heating / DHW                                | A+++ to D / A+ to F | A / A              |                 |                 |                 |
| <b>Heating</b>  |                     |                    |                 |                 |                 |
| Nominal heat output range at 50/30 °C (condensing mode)     | kW                  | 2.8 - 21.2         | 3.9 - 26.5      | 4.2 - 32.2      | 5.0 - 32.3      |
| Nominal heat output range at 80/60 °C (non condensing mode) | kW                  | 2.5 - 19.8         | 3.5 - 24.9      | 3.7 - 29.9      | 4.5 - 29.8      |
| Flow temperature range (factory setting - 75°C)             | °C                  | 30 - 85            |                 |                 |                 |
| Modulation (max/min)  | 1 : X               | 1:11               | 1:9             | 1:10            | 1:9             |
| <b>Domestic hot water</b>                                   |                     |                    |                 |                 |                 |
| Maximum heat output for water generation                    | kW                  | 26.5               | 32.6            | 36.7            | 40.8            |
| Lowest water pressure to operate boiler                     | bar                 | 0.7                |                 |                 |                 |
| Lowest water flow for operation                             | l/min               | 2.0                |                 |                 |                 |
| Domestic hot water flow rate (at Δ30 °C)**                  | l/min               | 12.4               | 15.2            | 17.0            | 19.0            |
| Domestic hot water flow rate (at Δ35 °C)**                  | l/min               | 10.6               | 13.0            | 14.6            | 16.3            |
| Hot water output temperature range                          | °C                  | 35-65              |                 |                 |                 |
| <b>Mechanical</b>   |                     |                    |                 |                 |                 |
| Gas inlet connection (pipe size)                            | mm                  | 15                 |                 |                 | 22              |
| Heating flow and return connections (pipe size)             | mm                  | 22                 |                 |                 |                 |
| Hot and cold water connections (pipe size)                  | mm                  | 15                 |                 |                 |                 |
| Heat exchanger material                                     | Stainless/Aluminium | Stainless steel    |                 |                 |                 |
| Filling loop supplied                                       | Yes/No              | Yes                |                 |                 |                 |
| Boiler lift weight (dry boiler)                             | kg                  | 36                 | 37              |                 | 41              |
| Spacer frame available                                      | Yes/No              | Yes                |                 |                 |                 |
| <b>Fluing options</b>                                       |                     |                    |                 |                 |                 |
| Maximum horizontal flue length 60/100                       | m                   | 10                 | 8               |                 |                 |
| Maximum vertical flue length 60/100                         | m                   | 10                 | 8               |                 |                 |
| Maximum horizontal flue length 80/125                       | m                   | 28                 |                 |                 |                 |
| Maximum vertical flue length 80/125                         | m                   | 30                 |                 |                 |                 |
| Rear flue options   | Yes/No              | No                 |                 |                 |                 |
| Permissible flue classifications                            |                     | C13, C33, C43, C53 |                 |                 |                 |

\* Can be reduced to 5mm if fitted behind a door / panel which then gives 500mm once removed / opened.

\*\* Vaillant combination boilers are fitted with a flow regulator set to achieve a temperature rise of 42°C. This maintains comfortable bathing and showering during the colder months of the year.

# ecoTEC plus

## Storage combination boiler



### Overview

The new Vaillant ecoTEC plus storage combination boiler features a 40kW output model, which has been refined and taken to the next level. Paired with our new plug-and-play internet gateway, myVAILLANT connect, it enables app control, smart home integration and remote appliance care and support in minutes, for increased efficiency and first-class customer service.

Beneath its familiar curved case, the internal layout of the new ecoTEC plus has been finely tuned to ensure all components are easily accessible, making maintenance and servicing straight forward, and installation effortless. The semi-touch interface ensures easy, intuitive operation, while enhanced connectivity opens up more possibilities for remote diagnostics, performance monitoring and control.

### Features & benefits

**10-year guarantee available**  
Free 5-year guarantee out of the box as standard. Extended guarantee available when installed with a Boiler Protection Kit and registered on Advance.

**Smart home ready when used with myVAILLANT connect**  
The myVAILLANT connect internet gateway accessory works seamlessly with this range of ecoTEC plus boilers enabling easy connection to Vaillant controls with app connectivity and smart speaker integration\* in minutes.

**Refined and enhanced internal layout**  
With easy access to all major components, making installation and servicing effortless.

**Familiar footprint and external layout**  
Retaining the same case dimensions, boiler footprint, flue position and pipe connections for an effortless like-for-like swap.

**New intuitive semi-touch interface\*\***  
Allowing for effortless first-time installation and set-up, with guided commissioning and set up wizard and easy to follow navigation.

**New IoniDETECT technology**  
Intelligent gas combustion monitoring, helping the new ecoTEC plus reach wider modulation range of up to 1:9, for even greater system efficiency.

**Sharpened intelligence with LIN bus technology**  
Enables more intelligent and accurate reading of flow rate and pressure differential via internal pump for improved performance.

\* Compatible with the senso controls range and the VRC 700. Only for use with single heating zones.

\*\* New interface design not compatible with the timeSWITCH 150 and timeSWITCH 160.

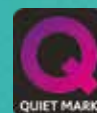
| Technical data   | Unit of measure     | ecoTEC plus 940    |
|--|---------------------|--------------------|
| <b>General</b>   |                     |                    |
| Boiler type  |                     | Combination        |
| LPG compatible   | Yes/No              | No                 |
| Article number   |                     | 0010036114         |
| <b>Dimensions</b>  |                     |                    |
| Boiler dimensions (HxWxD)                                  | mm                  | 720 x 440 x 580    |
| Side clearance   | mm                  | 5                  |
| Top clearance (with 60/100 flue)                           | mm                  | 165                |
| Top clearance if using rear flue                           | mm                  | N/A                |
| Bottom clearance   | mm                  | 180                |
| Front clearance*   | mm                  | 500                |
| <b>Performance</b>   |                     |                    |
| NOx (En 15502-2-1)   | mg/kWh              | 26.0               |
| ErP efficiency   | %                   | 94                 |
| ErP decibel rating (sound power)                           | dB(A)               | 49                 |
| ErP efficiency Heating / DHW                               | A+++ to D / A+ to F | A / A              |
| <b>Heating</b>   |                     |                    |
| Nominal heat output range at 50/30°C (condensing mode)     | kW                  | 5.0 - 32.3         |
| Nominal heat output range at 80/60°C (non condensing mode) | kW                  | 4.5 - 29.8         |
| Flow temperature range (factory setting - 75°C)            | °C                  | 30 - 85            |
| Modulation (max/min)                                       | 1 : X               | 1:9                |
| <b>Domestic hot water</b>                                  |                     |                    |
| Maximum heat output for water generation                   | kW                  | 40.8               |
| Lowest water pressure to operate boiler                    | bar                 | 0.7                |
| Lowest water flow for operation                            | l/min               | 2.0                |
| Domestic hot water flow rate (at Δ30°C)**                  | l/min               | 21.0               |
| Domestic hot water flow rate (at Δ35°C)**                  | l/min               | 18.0               |
| Hot water output temperature range                         | °C                  | 35-65              |
| <b>Mechanical</b>  |                     |                    |
| Gas inlet connection (pipe size)                           | mm                  | 22                 |
| Heating flow and return connections (pipe size)            | mm                  | 22                 |
| Hot and cold water connections (pipe size)                 | mm                  | 15                 |
| Heat exchanger material                                    | Stainless/Aluminium | Stainless steel    |
| Filling loop supplied                                      | Yes/No              | Yes                |
| Boiler lift weight (dry boiler)                            | kg                  | 60                 |
| Spacer frame available                                     | Yes/No              | No                 |
| <b>Fluing options</b>                                      |                     |                    |
| Maximum horizontal flue length 60/100                      | m                   | 8                  |
| Maximum vertical flue length 60/100                        | m                   | 8                  |
| Maximum horizontal flue length 80/125                      | m                   | 28                 |
| Maximum vertical flue length 80/125                        | m                   | 30                 |
| Rear flue options  | Yes/No              | No                 |
| Permissible flue classifications                           |                     | C13, C33, C43, C53 |

\* Can be reduced to 5mm if fitted behind a door / panel which then gives 500mm once removed / opened.

\*\* Vaillant combination boilers are fitted with a flow regulator set to achieve a temperature rise of 42°C. This maintains comfortable bathing and showering during the colder months of the year.

# ecoTEC pro

## Combination boilers



### Overview

The ecoTEC pro range of combination boilers combines the built-in quality, reliability, and performance you'd expect from Vaillant, with a simple design and approach. The range includes an LPG model, and is also compatible with our aroTHERM heat pump range, so it's perfect for off-grid properties.

The combination range features 24, 28 and 30kW output models, making this the perfect boiler for homes with smaller heating and hot water requirements. The ecoTEC pro combination boiler range offers versatile siting options, with ease of installation and service with a push-fit flue system and removable side panels to make life that much easier.

### Features & benefits



#### 7-year guarantee available

Standard 2-year guarantee, can be upgraded to a free 7-year guarantee when registered through Vaillant Advance.



#### 60/100 push fit flue system with full range of accessories

80/125 flue adaptor and system for even longer lengths and installation flexibility.



#### Boiler Plus compliant with Vaillant controls

Install with sensoHOME\*, sensoCOMFORT, vSMART or VRC 700 for a weather compensated system.



#### Built-in two-stage frost protection

Ensures optimal performance all year round.



#### Patented stainless steel heat exchanger

Provides superior heat transfer and highly efficient performance.



#### Features Vaillant's exclusive AquaComfort system

Provides quick delivery of hot water at a constant temperature, which reduces unnecessary water wastage.



#### Easy installation and maintenance

Accessible layout allows all components to be replaced from the boiler front, with removable side panels for even more access. Step-by-step full text installation wizard helps for quicker set-up.



#### Electronic gas and air modulation system

Allows precise self-setting gas combustion to improve performance and lower emissions.

\* Outdoor sensor sold separately and only for single zone systems

| Technical data  | Unit of measure     | ecoTEC pro 24      | ecoTEC pro 28 | ecoTEC pro 28 LPG | ecoTEC pro 30 |
|---|---------------------|--------------------|---------------|-------------------|---------------|
| <b>General</b>  |                     |                    |               |                   |               |
| Boiler type   |                     | Combination        |               |                   |               |
| Boiler output   | kW                  | 24                 | 28            |                   | 30            |
| Article number  |                     | 0010021836         | 0010021837    | 0010021838        | 0010016538    |
| Gas Council number  |                     | 47-044-88          | 47-044-89     | 47-044-90         | 47-044-52     |
| Boiler dimensions (HxWxD)                                   | mm                  | 720 x 440 x 338    |               |                   |               |
| <b>Performance</b>  |                     |                    |               |                   |               |
| NOx (En 15502-2-1)  | mg/kWh              | 27                 |               | 28                | 30            |
| ErP efficiency (heating / DHW)                              | A+++ - D / A+ - F   | A / A              |               |                   |               |
| ErP efficiency  | %                   | 94                 |               |                   | 93            |
| ErP decibel rating (sound power)                            | dBa                 | 49                 |               |                   |               |
| <b>Heating</b>  |                     |                    |               |                   |               |
| Nominal heat output range at 50/30 °C (condensing mode)     | kW                  | 5.9 - 24.8         | 5.9 - 25.9    | 7.9 - 25.3        | 6.9 - 25.7    |
| Nominal heat output range at 80/60 °C (non condensing mode) | kW                  | 5.2 - 23.0         | 5.2 - 24.0    | 7.2 - 24.0        | 6.2 - 24.4    |
| Maximum flow temperature                                    | °C                  | 85                 |               |                   |               |
| Flow temperature range                                      | °C                  | 30 - 80            |               |                   |               |
| Flow temperature factory setting                            | °C                  | 75                 |               |                   |               |
| Approx. condensate volume at 50/30 °C                       | Litres/hr           | 1.9                |               |                   | 2.5           |
| Modulation (max/min)  | 1 : X               | 1:4.4              | 1:5.1         | 1:3.7             | 1:3.8         |
| <b>Domestic hot water</b>                                   |                     |                    |               |                   |               |
| Maximum heat output for water generation                    | kW                  | 23.7               | 27.5          | 27.5              | 30.3          |
| Lowest water pressure to operate boiler                     | Bar                 | 0.35               |               |                   |               |
| Lowest water flow for operation                             | l/min               | 2                  |               |                   |               |
| Lowest water pressure for maximum flow rate                 | Bar                 | 0.8                |               |                   |               |
| Domestic hot water flow rate (at Δt = 35K)*                 | l/min               | 9.6                | 11.1          | 11.1              | 12.3          |
| Hot water output temperature range                          | °C                  | 35 - 65            |               |                   |               |
| <b>Mechanical</b>   |                     |                    |               |                   |               |
| Expansion vessel size                                       | Litres              | 8                  |               |                   |               |
| Gas inlet connection (pipe size)                            | mm                  | 15                 |               |                   |               |
| Heating flow and return connections (pipe size)             | mm                  | 22                 |               |                   |               |
| Hot and cold water connections (pipe size)                  | mm                  | 15                 |               |                   |               |
| Heat exchanger material                                     | Stainless/Aluminium | Stainless steel    |               |                   |               |
| Boiler lift weight (dry boiler)                             | kg                  | 38                 |               |                   | 39            |
| Maximum horizontal flue length 60/100                       | m                   | 12                 |               |                   |               |
| Maximum vertical flue length 60/100                         | m                   | 16                 |               |                   |               |
| Maximum horizontal flue length 80/125                       | m                   | 39                 |               |                   |               |
| Maximum vertical flue length 80/125                         | m                   | 41                 |               |                   |               |
| Rear flue options   | Yes/No              | No                 |               |                   |               |
| Permissible flue classifications                            |                     | C13, C33, C43, C53 |               |                   |               |
| <b>Minimum clearances</b>                                   |                     |                    |               |                   |               |
| Side left and right   | mm                  | 5                  |               |                   |               |
| Top   | mm                  | 165                |               |                   |               |
| Below   | mm                  | 180                |               |                   |               |
| Front   | mm                  | 500**              |               |                   |               |

\* Vaillant combination boilers are fitted with a flow regulator set to achieve a temperature rise of 42°C. This maintains comfortable bathing and showering during the colder months of the year.

\*\* Can be reduced to 5mm if fitted behind a door / panel which then gives 500mm once removed / opened.

# ecoFIT pure

## Combination boilers



### Overview

The ecoFIT pure range of combination boilers is ultra-quiet in operation and has a small footprint, proving total flexibility of siting. The rear and top flue option means this boiler range is the perfect solution for fitting inside a standard kitchen cupboard unit.

The combination range features 25, 30 and 35kW output models, and is made from high quality, highly efficient components. Complete with availability of spare parts and an accessible layout, the ecoFIT pure is easy to maintain and service.

The automatic purging assistant and high specification, automotive grade, aluminum heat exchanger makes for a lightweight installation.

### Features & benefits



#### 10-year guarantee available

Free 2-year guarantee out of the box as standard. Extended guarantee available when installed with a Boiler Protection Kit and registered on Advance.



#### Easy installation and maintenance

Accessible layout allows all components to be replaced from the boiler front, with removable side panels for even more access and reduced installation time.



#### Boiler Plus compliant with Vaillant controls

Install with sensoHOME, VRT 350 or timeSWITCH 150 and sensoROOM pure for a load compensated system.



#### 60/100 push fit flue system with full range of accessories

80/125 flue system option for even longer lengths and installation flexibility.



#### Compact, cupboard fit solution

A smaller footprint, cupboard fit dimensions and top and rear flue options offer flexibility of siting.



#### Pneumatic gas and air modulation system

For precise self-setting gas combustion to improve performance and lower emissions.



#### High specification aluminium heat exchanger

Designed for longer life, easier maintenance, and lower energy bills.



#### 4-sided cooling and water agitation of the heat exchanger

Reducing stress on the heat exchanger for longer life, reliability, and reduced maintenance costs.



| Technical data   | Unit of measure         | ecoFIT pure 825    | ecoFIT pure 830 | ecoFIT pure 835 |
|--|-------------------------|--------------------|-----------------|-----------------|
| <b>General</b>   |                         |                    |                 |                 |
| Boiler type  |                         | Combination        |                 |                 |
| Boiler output  | kW                      | 25                 | 30              | 35              |
| Article number   |                         | 0010020389         | 0010020390      | 0010020391      |
| Gas Council number   |                         | 47-044-68          | 47-044-74       | 47-044-70       |
| Boiler dimensions (HxWxD)                                  | mm                      | 702 x 390 x 295    |                 |                 |
| <b>Performance</b>   |                         |                    |                 |                 |
| NOx (En 15502-2-1)   | mg/kWh                  | 39                 | 39              | 39              |
| ErP efficiency (heating / DHW)                             | A+++ - D / A+<br>- F    | A / A              |                 |                 |
| ErP efficiency   | %                       | 94                 |                 |                 |
| ErP decibel rating (sound power)                           | dBa                     | 49                 | 51              | 52              |
| <b>Heating</b>   |                         |                    |                 |                 |
| Nominal heat output range at 50/30°C (condensing mode)     | kW                      | 5.3 - 19.1         | 6.3 - 26.5      | 7.5 - 26.7      |
| Nominal heat output range at 80/60°C (non condensing mode) | kW                      | 5.1 - 18.3         | 6.1 - 25.4      | 7.2 - 25.5      |
| Maximum flow temperature                                   | °C                      | 80                 |                 |                 |
| Flow temperature range                                     | °C                      | 10-80              |                 |                 |
| Flow temperature factory setting                           | °C                      | 75                 |                 |                 |
| Approximate condensate volume at 50/30°C                   | Litres/hr               | 1.84               | 2.55            | 2.57            |
| Modulation (max/min)                                       | 1 : X                   | 1:5                | 1:5             | 1:5             |
| <b>Domestic hot water</b>                                  |                         |                    |                 |                 |
| Maximum heat output for water generation                   | kW                      | 25.7               | 30.6            | 35.7            |
| Lowest water pressure to operate boiler                    | Bar                     | 0.3                |                 |                 |
| Lowest water flow for operation                            | l/min                   | 2                  |                 |                 |
| Lowest water pressure for maximum flow rate                | Bar                     | 2                  |                 |                 |
| Domestic hot water flow rate (at Δt = 35K)*                | l/min                   | 10.4               | 12.2            | 14.1            |
| Hot water output temperature range                         | °C                      | 35 - 60            |                 |                 |
| <b>Mechanical</b>  |                         |                    |                 |                 |
| Expansion vessel size                                      | Litres                  | 8                  |                 |                 |
| Gas inlet connection (pipe size)                           | mm                      | 15                 |                 |                 |
| Heating flow and return connections (pipe size)            | mm                      | 22                 |                 |                 |
| Hot and cold water connections (pipe size)                 | mm                      | 15                 |                 |                 |
| Heat exchanger material                                    | Stainless/<br>Aluminium | Aluminium          |                 |                 |
| Boiler lift weight (dry boiler)                            | kg                      | 32                 | 33              |                 |
| Maximum horizontal flue length 60/100                      | m                       | 10                 |                 |                 |
| Maximum vertical flue length 60/100                        | m                       | 10                 |                 |                 |
| Maximum horizontal flue length 80/125                      | m                       | 25                 |                 |                 |
| Maximum vertical flue length 80/125                        | m                       | 25                 |                 |                 |
| Rear flue options  | Yes/No                  | Yes                |                 |                 |
| Permissible flue classifications                           |                         | C13, C33, C43, C53 |                 |                 |
| <b>Minimum clearances</b>                                  |                         |                    |                 |                 |
| Side left and right  | mm                      | 5                  |                 |                 |
| Top  | mm                      | 150                |                 |                 |
| Top (if using rear flue)                                   | mm                      | 20                 |                 |                 |
| Below  | mm                      | 150                |                 |                 |
| Front  | mm                      | 500**              |                 |                 |

\* Vaillant combination boilers are fitted with a flow regulator set to achieve a temperature rise of 42°C. This maintains comfortable bathing and showering during the colder months of the year.

\*\* Can be reduced to 5mm if fitted behind a door / panel which then gives 500mm once removed / opened.

# ecoTEC exclusive with Green iQ

## System boiler



### Overview

The ecoTEC exclusive system boiler combines our complete range of smart technologies and features, providing great performance by intelligently managing consumption and output to keep all of its components running at peak performance, for longer, providing a low maintenance solution that you can rely on. The ecoTEC exclusive has a low carbon footprint and is more than 85% recyclable at the end of its life.

The ecoTEC exclusive system boiler is available with 27kW output and includes an integrated diverter valve for the first time in UK Vaillant history.

### Features & benefits



#### 10-year guarantee available

Free 5-year guarantee out of the box as standard. Extended guarantee available when installed with a Boiler Protection Kit and registered on Advance.



#### Green iQ mode

Providing outstanding eco-credentials which optimise running cycles, resulting in even lower gas consumption and lower energy bills.



#### Wide modulation range of up to 1:10

Adapts perfectly to all systems in every situation, ensuring lowest fuel bills for your customers.



#### Extra condense stainless steel heat exchanger

Provides superior heat transfer and highly efficient performance.



#### Easy installation and maintenance

Accessible layout allows all components to be replaced from the boiler front, with removable side panels for even more access. Step-by-step full text installation wizard helps for quicker set-up.



#### All-gas system

Always reaches optimal combustion with lowest emissions. As a self-adaptive system, it automatically adjusts to all types of gas.



#### Integrated three-way valve

Four-pipe system with load compensation in DHW and CH modes. No more complex wiring systems, junction boxes or external zone valves.



#### 60/100 push fit flue system with full range of accessories

80/125 flue system option for even longer lengths and installation flexibility.

| Technical data  | Unit of measure     | ecoTEC exclusive 627 |
|---|---------------------|----------------------|
| <b>General</b>  |                     |                      |
| Boiler type   |                     | System               |
| Boiler output   | kW                  | 27                   |
| Article number  |                     | 0010017063           |
| Gas Council number  |                     | 41-694-02            |
| Boiler dimensions (HxWxD)                                   | mm                  | 720 x 440 x 338      |
| <b>Performance</b>  |                     |                      |
| NOx (En 15502-2-1)  | mg/kWh              | 30                   |
| ErP efficiency (heating)                                    | A+++ - D            | A                    |
| ErP efficiency  | %                   | 94                   |
| ErP decibel rating (sound power)                            | dBa                 | 46                   |
| <b>Heating</b>  |                     |                      |
| Nominal heat output range at 50/30 °C (condensing mode)     | kW                  | 3.4 - 26.7           |
| Nominal heat output range at 80/60 °C (non condensing mode) | kW                  | 3.0 - 24.7           |
| Maximum flow temperature                                    | °C                  | 85                   |
| Flow temperature range                                      | °C                  | 30 - 80              |
| Flow temperature factory setting                            | °C                  | 75                   |
| Approximate condensate volume at 50/30 °C                   | Litres/hr           | 2.52                 |
| Modulation (max/min)  | 1 : X               | 1:10                 |
| <b>Mechanical</b>   |                     |                      |
| Expansion vessel size                                       | Litres              | 10                   |
| Gas inlet connection (pipe size)                            | mm                  | 15                   |
| Heating flow and return connections (pipe size)             | mm                  | 22                   |
| Heat exchanger material                                     | Stainless/Aluminium | Stainless steel      |
| Boiler lift weight (dry boiler)                             | kg                  | 37.5                 |
| Maximum horizontal flue length 60/100                       | m                   | 5.5                  |
| Maximum vertical flue length 60/100                         | m                   | 8                    |
| Maximum horizontal flue length 80/125                       | m                   | 32                   |
| Maximum vertical flue length 80/125                         | m                   | 34                   |
| Rear flue options   | Yes/No              | No                   |
| Permissible flue classifications                            |                     | C13, C33, C53        |
| <b>Minimum clearances</b>                                   |                     |                      |
| Side left and right   | mm                  | 5                    |
| Top   | mm                  | 165                  |
| Below   | mm                  | 180                  |
| Front   | mm                  | 500*                 |

\* Can be reduced to 5mm if fitted behind a door / panel which then gives 500mm once removed / opened.

# ecoTEC plus

## System boilers



### Overview

The new Vaillant ecoTEC plus system boiler range has been refined and taken to the next level. Paired with our new plug-and-play internet gateway, myVAILLANT connect, it enables app control, smart home integration and remote appliance care and support in minutes, for increased efficiency and first-class customer service. The system range features 10, 15, 20, 25, 30 and 35kW output models, higher DHW outputs are achievable when using Vaillant controls (with eBUS protocol).

Beneath its familiar curved case, the internal layout of the new ecoTEC plus has been finely tuned to ensure all components are easily accessible, making maintenance and servicing straight forward, and installation effortless. The semi-touch interface ensures easy, intuitive operation, while enhanced connectivity opens up more possibilities for remote diagnostics, performance monitoring and control.

### Features & benefits



#### 10-year guarantee available

Free 5-year guarantee out of the box as standard. Extended guarantee available when installed with a Boiler Protection Kit and registered on Advance.



#### Smart home ready when used with myVAILLANT connect

The myVAILLANT connect internet gateway accessory works seamlessly with this range of ecoTEC plus boilers enabling easy connection to Vaillant controls with app connectivity and smart speaker integration\* in minutes.



#### Familiar footprint and external layout

Retaining the same case dimensions, boiler footprint, flue position and pipe connections for an effortless like-for-like swap.



#### New intuitive semi-touch interface\*\*

Allowing for effortless first-time installation and set-up, with guided commissioning and set up wizard and easy to follow navigation.



#### Automatic LPG conversion on most outputs\*\*\*

Completed in minutes using the new intuitive interface, with no additional parts required.



#### New IoniDETECT technology

Intelligent gas combustion monitoring, helping the new ecoTEC plus reach wider modulation range of up to 1:9 for even greater system efficiency.



#### Sharpened intelligence with LIN bus technology

Enables more intelligent and accurate reading of flow rate and pressure differential via internal pump for improved performance.

\* Compatible with the senso controls range and the VRC 700. Only for use with single heating zones.

\*\* New interface design not compatible with the timeSWITCH 150 and timeSWITCH 160.

\*\*\* Excluding ecoTEC plus 840, 940 and 635.

| Technical data   | Unit of measure     | ecoTEC plus 610    | ecoTEC plus 615 | ecoTEC plus 620 | ecoTEC plus 625 | ecoTEC plus 630 | ecoTEC plus 635 |  |
|--|---------------------|--------------------|-----------------|-----------------|-----------------|-----------------|-----------------|--|
| <b>General</b>   |                     |                    |                 |                 |                 |                 |                 |  |
| Boiler type  |                     | System             |                 |                 |                 |                 |                 |  |
| LPG compatible   | Yes/No              | Yes - adaptive     |                 |                 |                 |                 | No              |  |
| Article number   |                     | 0010036009         | 0010036010      | 0010036011      | 0010036012      | 0010036013      | 0010036014      |  |
| <b>Dimensions</b>  |                     |                    |                 |                 |                 |                 |                 |  |
| Boiler dimensions (HxWxD)                                  | mm                  | 720 x 440 x 352    |                 |                 |                 |                 | 720 x 440 x 386 |  |
| Side clearance   | mm                  | 5                  |                 |                 |                 |                 |                 |  |
| Top clearance (with 60/100 flue)                           | mm                  | 165                |                 |                 |                 |                 |                 |  |
| Top clearance if using rear flue                           | mm                  | N/A                |                 |                 |                 |                 |                 |  |
| Bottom clearance   | mm                  | 180                |                 |                 |                 |                 |                 |  |
| Front clearance*   | mm                  | 500                |                 |                 |                 |                 |                 |  |
| <b>Performance</b>   |                     |                    |                 |                 |                 |                 |                 |  |
| NOx (En 15502-2-1)   | mg/kWh              | 36.0               | 36.0            | 33.0            | 27.0            | 28.0            | 27.0            |  |
| ErP efficiency   | %                   | 92                 | 93              |                 | 94              |                 |                 |  |
| ErP decibel rating (sound power)                           | dB(A)               | 37                 | 42              | 45              | 46              | 48              | 52              |  |
| ErP efficiency Heating / DHW                               | A+++ to D / A+ to F | A / A              |                 |                 |                 |                 |                 |  |
| <b>Heating</b>   |                     |                    |                 |                 |                 |                 |                 |  |
| Nominal heat output range at 50/30°C (condensing mode)     | kW                  | 2.8 - 10.6         | 2.8 - 15.9      | 2.8 - 21.2      | 3.9 - 26.5      | 4.2 - 32.2      | 5.0 - 37.7      |  |
| Nominal heat output range at 80/60°C (non condensing mode) | kW                  | 2.5 - 9.9          | 2.5 - 14.8      | 2.5 - 19.8      | 3.5 - 24.9      | 3.7 - 29.9      | 4.5 - 34.9      |  |
| Flow temperature range (factory setting - 75°C)            | °C                  | 30 - 85            |                 |                 |                 |                 |                 |  |
| Modulation (max/min)                                       | 1 : X               | 1:8                |                 | 1:9             | 1:8             | 1:9             |                 |  |
| <b>Domestic hot water</b>                                  |                     |                    |                 |                 |                 |                 |                 |  |
| Maximum heat output for water generation                   | kW                  | 19.6               | 19.6            | 23.6            | 29.6            | 34.3            | 39.4            |  |
| <b>Mechanical</b>  |                     |                    |                 |                 |                 |                 |                 |  |
| Gas inlet connection (pipe size)                           | mm                  | 15                 |                 |                 |                 |                 | 22              |  |
| Heating flow and return connections (pipe size)            | mm                  | 22                 |                 |                 |                 |                 |                 |  |
| Heat exchanger material                                    | Stainless/Aluminium | Stainless steel    |                 |                 |                 |                 |                 |  |
| Filling loop supplied                                      | Yes/No              | No                 |                 |                 |                 |                 |                 |  |
| Boiler lift weight (dry boiler)                            | kg                  | 34                 |                 |                 | 36              |                 | 40.5            |  |
| Spacer frame available                                     | Yes/No              | Yes                |                 |                 |                 |                 |                 |  |
| <b>Fluing options</b>                                      |                     |                    |                 |                 |                 |                 |                 |  |
| Maximum horizontal flue length 60/100                      | m                   | 16                 |                 |                 | 8               |                 |                 |  |
| Maximum vertical flue length 60/100                        | m                   | 12                 |                 |                 | 8               |                 |                 |  |
| Maximum horizontal flue length 80/125                      | m                   | 28                 |                 |                 |                 |                 |                 |  |
| Maximum vertical flue length 80/125                        | m                   | 30                 |                 |                 |                 |                 |                 |  |
| Rear flue options  | Yes/No              | No                 |                 |                 |                 |                 |                 |  |
| Permissible flue classifications                           |                     | C13, C33, C43, C53 |                 |                 |                 |                 |                 |  |

\* Can be reduced to 5mm if fitted behind a door / panel which then gives 500mm once removed / opened.

# ecoTEC plus

Large output system boilers



## Overview

The ecoTEC plus range of system boilers are compact in size and extremely lightweight compared to its predecessors. The front and side panels can be removed, allowing for much easier access in tight and restrictive spaces.

The internal ducted rain collector prevents rain ingress from the flue system depositing in the boiler casing, and the gunmetal air separation device prevents unwanted vented emissions within the case, both of which helps to protect the electronics inside the boiler.

The larger output system range features 48 and 64kW output models and can be cascaded for projects that require outputs above 70kW. Individually, these boilers can be installed by a Gas Safe registered engineer with a Gas Safe certificate, so is a great way for installers to diversify into larger output installations.

## Features & benefits



### 5-year guarantee available

Free 5-year guarantee out of the box as standard.



### Electronic gas and air modulation system

Allows precise self-setting gas combustion to improve performance and lower emissions.



### Highly efficient stainless steel heat exchanger

Allows lower running costs whilst using the familiar, reliable, and robust heat exchanger design.



### Compatible with Vaillant's heat pump range

Can be fitted with an aroTHERM heat pump to create a hybrid system.



### Easy installation and maintenance

Accessible layout allows all components to be replaced from the boiler front, with removable side panels for even more access. Step-by-step full text installation wizard helps for quicker set-up.



### Low NOx burner system

Levels as low as 29mg/kWh to minimise environmental impacts.



### Push fit flue system with industry leading flue lengths

80/125 flue adaptor and system for even longer lengths and installation flexibility.



### Compatible with LPG

A perfect solution for off-gas areas.

| Technical data   | Unit of measure     | ecoTEC plus 48                                | ecoTEC plus 64  |
|--|---------------------|---|-----------------|
| <b>General</b>   |                     |   |                 |
| Boiler type  |                     | System  |                 |
| Boiler output  | kW                  | 48  | 64              |
| Article number   |                     | 0010021520                                    | 0010021521      |
| Gas Council number   |                     | 41-694-28                                     | 41-694-29       |
| Boiler dimensions (HxWxD)  | mm                  | 720 x 440 x 405                               | 720 x 440 x 473 |
| <b>Performance</b>   |                     |   |                 |
| NOx Class 6 (En 15502-2-1)   | mg/kWh              | 30.8  | 29.1            |
| ErP efficiency* (heating)  | A+++ - D            | A+  |                 |
| ErP efficiency   | %                   | 94  |                 |
| ErP decibel rating (sound power)   | dBa                 | 57  |                 |
| <b>Heating</b>   |                     |   |                 |
| Nominal heat output range at 50/30°C (condensing mode)                                   | kW                  | 8.7 - 48.0                                    | 12.2 - 63.5     |
| Nominal heat output range at 80/60°C (non condensing mode)                               | kW                  | 7.8 - 44.1                                    | 11.0 - 58.7     |
| Conversion to LPG G31 at 37mb at 50/30°C (Conversion kit by installer on site necessary) | kW                  | 8.6 - 46.6                                    | 12.0 - 62.1     |
| Conversion to LPG G31 at 37mb at 80/60°C (Conversion kit by installer on site necessary) | kW                  | 7.8 - 44.0                                    | 11.0 - 58.4     |
| Maximum flow temperature   | °C                  | 80  |                 |
| Flow temperature range   | °C                  | 30 - 80                                       |                 |
| Flow temperature factory setting   | °C                  | 75  |                 |
| Approximate condensate volume at 50/30°C   | Litres/hr           | 5.0   | 6.9             |
| Modulation (max/min)   | 1 : X               | 1:5.5 (18%)                                   | 1:5.2 (19%)     |
| Lowest water pressure to operate boiler  | bar                 | 0.8   |                 |
| Nominal flow rate (at DT = 20K)  | l/hr                | 1900  | 2500            |
| <b>Mechanical</b>  |                     |   |                 |
| Expansion vessel size  | Litres              | Not supplied                                  |                 |
| Gas inlet connection (pipe size)   | BSP female          | 1"  |                 |
| Heating flow and return connections (pipe size)  | BSP female          | 1 1/4"  |                 |
| Heat exchanger material  | Stainless/Aluminium | Stainless steel                               |                 |
| Boiler lift weight (dry boiler - includes pump)  | kg                  | 38  | 48              |
| Maximum horizontal flue length 80/125  | m                   | 18  | 15              |
| Maximum vertical flue length 80/125  | m                   | 21  | 18              |
| Rear flue options  | Yes/No              | No  |                 |
| Permissible flue classifications   |                     | C13, C33, C43, C53, C93, B23, B23p, B53, B53p |                 |
| <b>Minimum clearances</b>  |                     |   |                 |
| Side left and right  | mm                  | 5   |                 |
| Top  | mm                  | 350   |                 |
| Top (if using rear flue)   | mm                  | -   |                 |
| Below  | mm                  | 400   |                 |
| Front  | mm                  | 500**   |                 |

\* When installed with a class VI control.

\*\* Can be reduced to 5mm if fitted behind a door / panel which then gives 500mm once removed / opened.

# ecoFIT pure

## System boilers



### Overview

The ecoFIT pure range of system boilers is ultra-quiet in operation and has a small footprint, proving total flexibility of siting. The rear and top flue option means this boiler range is the perfect solution for fitting inside a standard kitchen cupboard unit.

The system range features 12, 15, 18, 25 and 30kW output models, and is made from high quality, highly efficient components. Complete with availability of spare parts and an accessible layout, the ecoFIT pure is easy to maintain and service.

The automatic purging assistant and high specification, automotive grade, aluminum heat exchanger makes for a lightweight installation.

### Features & benefits



#### 10-year guarantee available

Free 2-year guarantee out of the box as standard. Extended guarantee available when installed with a Boiler Protection Kit and registered on Advance.



#### Compact, cupboard fit solution

A smaller footprint, cupboard fit dimensions and top and rear flue options offer flexibility of siting.



#### High specification aluminium heat exchanger

Designed for longer life, easier maintenance, and lower energy bills.



#### Easy installation and maintenance

Accessible layout allows all components to be replaced from the boiler front, with removable side panels for even more access.



#### 60/100 push fit flue system with full range of accessories

80/125 flue system option for even longer lengths and installation flexibility.



#### Pneumatic gas and air modulation system

For precise self-setting gas combustion to improve performance and lower emissions.



#### 4-sided cooling and water agitation of the heat exchanger

Reducing stress on the heat exchanger for longer life, reliability, and reduced maintenance costs.



| Technical data   | Unit of measure     | ecoFIT pure 612    | ecoFIT pure 615 | ecoFIT pure 618 | ecoFIT pure 625 | ecoFIT pure 630 |
|--|---------------------|--------------------|-----------------|-----------------|-----------------|-----------------|
| <b>General</b>   |                     |                    |                 |                 |                 |                 |
| Boiler type  |                     | System             |                 |                 |                 |                 |
| Boiler output  | kW                  | 12                 | 15              | 18              | 25              | 30              |
| Article number   |                     | 0010020395         | 0010020396      | 0010020397      | 0010020398      | 0010020399      |
| Gas Council number   |                     | 41-694-03          | 41-694-04       | 41-694-05       | 41-694-06       | 41-694-07       |
| Boiler dimensions (HxWxD)                                  | mm                  | 702 x 390 x 295    |                 |                 |                 |                 |
| <b>Performance</b>   |                     |                    |                 |                 |                 |                 |
| NOx (En 15502-2-1)   | mg/kWh              | 32                 | 33              | 39              |                 | 40              |
| ErP efficiency (heating)                                   | A+++ - D            | A                  |                 |                 |                 |                 |
| ErP efficiency   | %                   | 94                 |                 |                 |                 |                 |
| ErP decibel rating (sound power)                           | dBa                 | 45                 | 48              | 49              | 51              | 54              |
| <b>Heating</b>   |                     |                    |                 |                 |                 |                 |
| Nominal heat output range at 50/30°C (condensing mode)     | kW                  | 4.7 - 12.8         | 4.7 - 15.9      | 5.2 - 19.1      | 6.4 - 26.5      | 7.5 - 31.8      |
| Nominal heat output range at 80/60°C (non condensing mode) | kW                  | 4.5 - 12.2         | 4.5 - 15.2      | 5.0 - 18.3      | 6.1 - 25.4      | 7.1 - 30.2      |
| Maximum flow temperature                                   | °C                  | 80                 |                 |                 |                 |                 |
| Flow temperature range                                     | °C                  | 10 - 80            |                 |                 |                 |                 |
| Flow temperature factory setting                           | °C                  | 75                 |                 |                 |                 |                 |
| Approximate condensate volume at 50/30°C                   | Litres/hr           | 1.23               | 1.53            | 1.84            | 2.55            | 3.06            |
| Modulation (max/min)                                       | 1 : X               | 1:3.3              | 1:4             | 1:5             | 1:4.9           | 1:4.9           |
| <b>Mechanical</b>  |                     |                    |                 |                 |                 |                 |
| Expansion vessel size                                      | Litres              | 8                  |                 |                 |                 |                 |
| Gas inlet connection (pipe size)                           | mm                  | 15                 |                 |                 |                 |                 |
| Heating flow and return connections (pipe size)            | mm                  | 22                 |                 |                 |                 |                 |
| Heat exchanger material                                    | Stainless/Aluminium | Aluminium          |                 |                 |                 |                 |
| Boiler lift weight (dry boiler)                            | kg                  | 31                 |                 |                 | 32              |                 |
| Maximum horizontal flue length 60/100                      | m                   | 10                 |                 |                 |                 |                 |
| Maximum vertical flue length 60/100                        | m                   | 10                 |                 |                 |                 |                 |
| Maximum horizontal flue length 80/125                      | m                   | 25                 |                 |                 |                 |                 |
| Maximum vertical flue length 80/125                        | m                   | 25                 |                 |                 |                 |                 |
| Rear flue options  | Yes/No              | Yes                |                 |                 |                 |                 |
| Permissible flue classifications                           |                     | C13, C33, C43, C53 |                 |                 |                 |                 |
| <b>Minimum clearances</b>                                  |                     |                    |                 |                 |                 |                 |
| Side left and right  | mm                  | 5                  |                 |                 |                 |                 |
| Top  | mm                  | 150                |                 |                 |                 |                 |
| Top (if using rear flue)                                   | mm                  | 20                 |                 |                 |                 |                 |
| Below  | mm                  | 150                |                 |                 |                 |                 |
| Front  | mm                  | 500*               |                 |                 |                 |                 |

\* Can be reduced to 5mm if fitted behind a door / panel which then gives 500mm once removed / opened.

# ecoTEC plus

## Open vent boilers



### Overview

The ecoTEC plus range of open vent boilers is extremely reliable, with the quality of components and manufacturing that Vaillant is known for. Thanks to continuous modulation and real combustion control by a multi-sensor system, they achieve high efficiency with the lowest emissions. These boilers have an aluminium heat exchanger with wide waterways: an ideal choice for larger properties.

The open vent range features 12, 15, 18, 24 and 30kW output models, meeting the heating requirements of varying house sizes. Each one is ultra-quiet a feature recognised by the Noise Abatement Society, which has awarded many of the ecoTEC plus range with the Quiet Mark accreditation for its innovative design, specifically created to ensure a peaceful home for your customers.

### Features & benefits



#### 10-year guarantee available

Free 5-year guarantee out of the box as standard. Extended guarantee available when installed with a Boiler Protection Kit and registered on Advance.



#### Electronic gas and air modulation system

For precise self-setting gas combustion to improve performance and lower emissions.



#### High specification aluminium heat exchanger

Designed for longer life, easier maintenance, and lower energy bills.



#### Compatible with Vaillant's heat pump range

Can be fitted with an aroTHERM heat pump to create a hybrid system.



#### Easy installation and maintenance

Accessible layout allows all components to be replaced from the boiler front, with removable side panels for even more access.



#### Dedicated models available for LPG

A perfect solution for off-gas areas.



#### 60/100 push fit flue system with full range of accessories

80/125 flue system option for even longer lengths and installation flexibility.

| Technical data   | Unit of measure     | ecoTEC plus 412  | ecoTEC plus 415 | ecoTEC plus 418 | ecoTEC plus 424 | ecoTEC plus 424 LPG | ecoTEC plus 430 | ecoTEC plus 435 |
|--|---------------------|--|-----------------|-----------------|-----------------|---------------------|-----------------|-----------------|
| <b>General</b>   |                     |  |                 |                 |                 |                     |                 |                 |
| Boiler type  |                     | Open vent  |                 |                 |                 |                     |                 |                 |
| Boiler output  | kW                  | 12   | 15              | 18              | 24              |                     | 30              | 35              |
| Article number   |                     | 0010021220   | 0010021221      | 0010021222      | 0010021223      | 0020231355          | 0010021224      | 0010015674      |
| Gas Council number   |                     | 41-694-13  | 41-694-14       | 41-694-15       | 41-694-16       | 41-694-18           | 41-694-17       | 41-044-76       |
| Boiler dimensions (HxWxD)                                  | mm                  | 602 x 375 x 320  |                 |                 |                 |                     |                 |                 |
| <b>Performance</b>   |                     |  |                 |                 |                 |                     |                 |                 |
| NOx (En 15502-2-1)   | mg/kWh              | 32   | 33              | 39              | 39              | 35                  | 40              | 29              |
| ErP efficiency (heating)                                   | A+++ - D            | A  |                 |                 |                 |                     |                 |                 |
| ErP efficiency   | %                   | 94   |                 |                 |                 |                     |                 | 93              |
| ErP decibel rating (sound power)                           | dBa                 | 45   | 48              | 51              | 52              | 49                  | 55              | 53              |
| <b>Heating</b>   |                     |  |                 |                 |                 |                     |                 |                 |
| Nominal heat output range at 50/30°C (condensing mode)     | kW                  | 4.7 - 12.8   | 4.7 - 15.9      | 5.2 - 19.1      | 6.3 - 25.7      | 8.0 - 25.7          | 7.5 - 31.8      | 7.5 - 37.1      |
| Nominal heat output range at 80/60°C (non condensing mode) | kW                  | 4.5 - 12.3   | 4.5 - 15.2      | 5.0 - 18.3      | 6.1 - 24.6      | 7.6 - 24.3          | 7.2 - 30.5      | 7.1 - 35.1      |
| Maximum flow temperature                                   | °C                  | 80   |                 |                 |                 |                     |                 |                 |
| Flow temperature range                                     | °C                  | 10 - 80  |                 |                 |                 |                     |                 |                 |
| Flow temperature factory setting                           | °C                  | 75   |                 |                 |                 |                     |                 |                 |
| Approximate condensate volume at 50/30°C                   | Litres/hr           | 1.23   | 1.53            | 1.84            | 2.47            |                     | 3.06            | 3.57            |
| Modulation (max/min)                                       | 1 : X               | 1:4.1  | 1:4.1           | 1:5.1           | 1:5             | 1:4                 | 1:5             | 1:5             |
| <b>Mechanical</b>  |                     |  |                 |                 |                 |                     |                 |                 |
| Gas inlet connection (pipe size)                           | mm                  | 15   |                 |                 |                 |                     |                 |                 |
| Heating flow and return connections (pipe size)            | mm                  | 22   |                 |                 |                 |                     |                 |                 |
| Heat exchanger material                                    | Stainless/Aluminium | Aluminium  |                 |                 |                 |                     |                 |                 |
| Boiler lift weight (dry boiler)                            | kg                  | 23.0   |                 |                 | 23.0            |                     |                 |                 |
| Maximum horizontal flue length 60/100                      | m                   | 10   |                 |                 |                 | 0.7*                | 10              |                 |
| Rear flue options  | Yes/No              | Yes  |                 |                 |                 | No                  | Yes             |                 |
| Permissible flue classifications                           |                     | C13, C33, C43, C53 (LPG option is only suitable for C13 classification and can only be fitted with the top mounted horizontal flue supplied) |                 |                 |                 |                     |                 |                 |
| <b>Minimum clearances</b>                                  |                     |  |                 |                 |                 |                     |                 |                 |
| Side left and right  | mm                  | 5  |                 |                 |                 |                     |                 |                 |
| Top  | mm                  | 150  |                 |                 |                 |                     |                 |                 |
| Top (if using rear flue)                                   | mm                  | 75   |                 |                 |                 |                     |                 |                 |
| Below  | mm                  | 150  |                 |                 |                 |                     |                 |                 |
| Front  | mm                  | 500*   |                 |                 |                 |                     |                 |                 |

\* Can be reduced to 5mm if fitted behind a door / panel which then gives 500mm once removed / opened.

# ecoFIT pure

## Open vent boilers



### Overview

The ecoFIT pure range of open vent boilers has a wide range of outputs to choose from with 12, 15, 18, 25, 30 and 35kW output models available. With ultra-quiet operation, a small footprint and flexible siting options (including a choice of top or rear flues), the ecoFIT pure range has a model to fit your customers' needs.

The automatic purging assistance and high specification, aluminium heat exchanger make for a lightweight installation.

High quality and high efficiency, together with the complete availability of spare parts and the easy accessibility of the unit layout means the ecoFIT pure is easy to maintain too.

### Features & benefits



#### 10-year guarantee available

Free 2-year guarantee out of the box as standard. Extended guarantee available when installed with a Boiler Protection Kit and registered on Advance.



#### Compact, cupboard fit solution

A smaller footprint, cupboard fit dimensions and top and rear flue options offer flexibility of siting.



#### High specification aluminium heat exchanger

Designed for longer life, easier maintenance, and lower energy bills.



#### Easy installation and maintenance

Accessible layout allows all components to be replaced from the boiler front, with removable side panels for even more access.



#### 60/100 push fit flue system with full range of accessories

80/125 flue system option for even longer lengths and installation flexibility.



#### Pneumatic gas and air modulation system

For precise self-setting gas combustion to improve performance and reduce emissions.



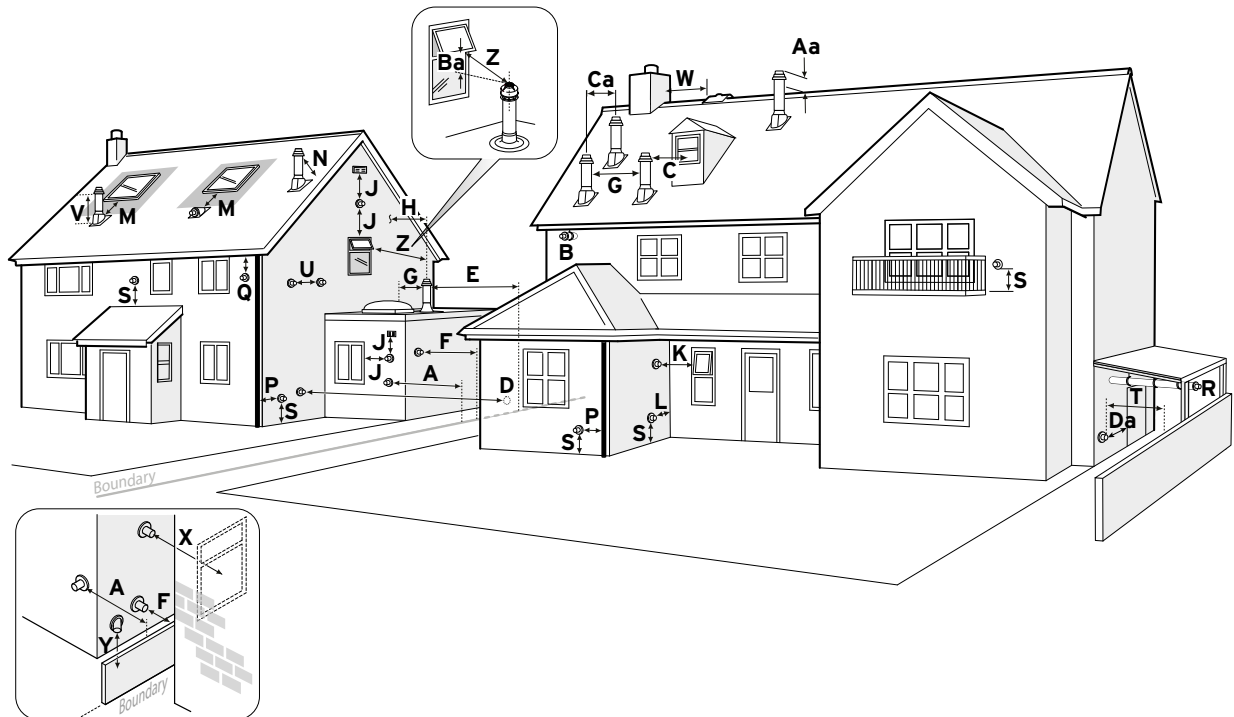
#### 4-sided cooling and water agitation of the heat exchanger

Reducing stress on the heat exchanger for longer life, reliability, and reduced maintenance costs.

| Technical data   | Unit of measure         | ecoFIT pure 412    | ecoFIT pure 415 | ecoFIT pure 418 | ecoFIT pure 425 | ecoFIT pure 430 | ecoFIT pure 435 |
|--|-------------------------|--------------------|-----------------|-----------------|-----------------|-----------------|-----------------|
| <b>General</b>   |                         |                    |                 |                 |                 |                 |                 |
| Boiler type  |                         | Open vent          |                 |                 |                 |                 |                 |
| Boiler output  | kW                      | 12                 | 15              | 18              | 25              | 30              | 35              |
| Article number   |                         | 0010020400         | 0010020401      | 0010020402      | 0010020403      | 0010020404      | 0010020405      |
| Gas Council number   |                         | 41-694-08          | 41-694-09       | 41-694-10       | 41-694-11       | 41-694-12       | 41-694-19       |
| Boiler dimensions (HxWxD)                                  | mm                      | 602 x 375 x 295    |                 |                 |                 |                 |                 |
| <b>Performance</b>   |                         |                    |                 |                 |                 |                 |                 |
| NOx (En 15502-2-1)   | mg/kWh                  | 32                 | 33              | 39              | 39              | 40              | 32              |
| ErP efficiency (heating)                                   | A+++ - D                | A                  |                 |                 |                 |                 |                 |
| ErP efficiency   | %                       | 94                 |                 |                 |                 |                 |                 |
| ErP decibel rating (sound power)                           | dBa                     | 45                 | 48              | 51              | 52              | 55              |                 |
| <b>Heating</b>   |                         |                    |                 |                 |                 |                 |                 |
| Nominal heat output range at 50/30°C (condensing mode)     | kW                      | 4.7 - 12.8         | 4.7 - 15.9      | 5.2 - 19.1      | 6.4 - 26.5      | 7.4 - 31.8      | 7.0 - 35.8      |
| Nominal heat output range at 80/60°C (non condensing mode) | kW                      | 4.5 - 12.2         | 4.5 - 15.2      | 5.0 - 18.3      | 6.1 - 25.4      | 7.1 - 30.2      | 7.2 - 34.8      |
| Maximum flow temperature                                   | °C                      | 80                 |                 |                 |                 |                 |                 |
| Flow temperature range                                     | °C                      | 10 - 80            |                 |                 |                 |                 |                 |
| Flow temperature factory setting                           | °C                      | 75                 |                 |                 |                 |                 |                 |
| Approximate condensate volume at 50/30°C                   | Litres/hr               | 1.23               | 1.53            | 1.84            | 2.55            | 3.06            | 3.65            |
| Modulation (max/min)                                       | 1 : X                   | 1:3.3              | 1:4             | 1:5             | 1:4.9           |                 |                 |
| <b>Mechanical</b>  |                         |                    |                 |                 |                 |                 |                 |
| Gas inlet connection (pipe size)                           | mm                      | 15                 |                 |                 |                 |                 |                 |
| Heating flow and return connections (pipe size)            | mm                      | 22                 |                 |                 |                 |                 |                 |
| Heat exchanger material                                    | Stainless/<br>Aluminium | Aluminium          |                 |                 |                 |                 |                 |
| Boiler lift weight (dry boiler)                            | kg                      | 22                 |                 |                 |                 |                 | 23              |
| Maximum horizontal flue length 60/100                      | m                       | 10                 |                 |                 |                 |                 |                 |
| Maximum vertical flue length 60/100                        | m                       | 10                 |                 |                 |                 |                 |                 |
| Maximum horizontal flue length 80/125                      | m                       | 25                 |                 |                 |                 |                 |                 |
| Maximum vertical flue length 80/125                        | m                       | 25                 |                 |                 |                 |                 |                 |
| Rear flue options  | Yes/No                  | Yes                |                 |                 |                 |                 |                 |
| Permissible flue classifications                           |                         | C13, C33, C43, C53 |                 |                 |                 |                 |                 |
| <b>Minimum clearances</b>                                  |                         |                    |                 |                 |                 |                 |                 |
| Side left and right  | mm                      | 5                  |                 |                 |                 |                 |                 |
| Top  | mm                      | 150                |                 |                 |                 |                 |                 |
| Top (if using rear flue)                                   | mm                      | 75                 |                 |                 |                 |                 |                 |
| Below  | mm                      | 150                |                 |                 |                 |                 |                 |
| Front  | mm                      | 500*               |                 |                 |                 |                 |                 |

\* Can be reduced to 5mm if fitted behind a door / panel which then gives 500mm once removed / opened.

# Terminal clearances



|                  |                   |   |
|------------------|-------------------|---|
| A                | 300               | 300mm adjacent to a boundary.   |
| B                | 25 <sup>(1)</sup> | The dimension below eaves, balconies and car ports can be reduced to 25mm, as long as the flue terminal is extended to clear any overhang. External flue joints must be sealed with a suitable silicon sealant. |
| C                | 1500              | 1500mm between a vertical flue terminal and a window or dormer window on a roof.  |
| D                | 1200              | 1200mm between terminals facing each other.   |
| E                | 300               | Vertical flue clearance, 300mm adjacent to a boundary line.   |
| F <sup>(2)</sup> | 600               | 600mm distance to a boundary line, unless it will cause a nuisance. BS 5440:Part 1 recommends that care is taken when siting terminal in relation to boundary lines.  |
| G                | 300               | 300mm minimum clearance from a skylight to a vertical flue or to another adjacent vertical flue.  |
| H                | 500<br>1500       | 500mm vertical flue clearance, to non-combustible building material.<br>1500mm vertical flue clearance to combustible building material.  |
| J                | 300               | 300mm above, below and either side of an opening door, air vent or opening window.  |
| K                | 600               | 600mm diagonally to an opening door, air vent or opening window.  |
| L <sup>(2)</sup> | 200               | 200mm to an internal or external corner.*   |
| M                | 2000<br>600       | 2000mm below a Velux window.<br>600mm above or to either side of the Velux window.  |
| N                | 400<br>500        | 400mm from a pitched roof.<br>500mm in regions with heavy snowfall.   |
| P                | 25                | 25mm from vertical drain pipes and soil pipes.  |

\* This distance can be reduced to 25mm by using a plume kit or diverter and being angled at 45° to avoid staining.

**Note: Terminal must NOT terminate under roof or car port. Car port must have at least two open sides.**

(1) There should be no ventilation/opening in the eaves within 300mm distance of the terminal.

|                  |           |   |
|------------------|-----------|---|
| Q <sup>(1)</sup> | 200<br>75 | 200mm below eaves.<br>75mm below gutters, pipe and drains. (see also 'R').  |
| R                | 25        | The dimension below eaves, balconies and car ports can be reduced to 25mm, as long as the flue terminal is extended to clear any overhang. External flue joints must be sealed with suitable silicon sealant. |
| S                | 300       | 300mm above adjacent ground or balcony.   |
| T <sup>(2)</sup> | 600       | 600mm distance to a surface facing a terminal, unless it will cause a nuisance. BS 5440: Part 1 recommends that care is taken when siting terminals in relation to surfaces facing a terminal.                |
| U                | 300       | 300mm clearance alongside another terminal.   |
| V                | 300       | 300mm above roof level.   |
| W                | 300       | 300mm min to vertical structure on roof, roof vent.   |
| X                | 2000      | 2000mm min. to opening in adjacent building.  |
| Y                | 600       | 600mm min. at an angle to a boundary which is not less than 300mm to the terminal.  |
| Z                | 600       | 600mm min. measured to the nearest corner of the open window.   |
| Aa               | 300       | No more than 300mm above ridge.   |
| Ba               | 300       | No less than 300mm below the opening window.  |
| Ca               | 600       | 600mm between vertical flues.   |
| Da               | 1200      | From an opening (e.g. door window etc.) in eaves, balconies, car ports and overhangs.   |

(2) These dimensions comply with the building regulations, but they may need to be increased to avoid wall staining and nuisance from pluming depending on site conditions.

- All measurements are the minimum clearances required.
- Terminals must be positioned so to avoid combustion products entering the building.
- Support the flue at approximately one metre intervals and at a change of direction, use suitable brackets and fixings.
- Installations in car ports are not recommended.
- The flue cannot be lower than 1 metre from the top of a lightwell due to the build up of combustion products.
- Dimensions from a flue terminal to a fanned air inlet to be determined by the ventilation equipment.
- The terminal clearances are only applicable where the appliance has been installed, commissioned and maintained inline with the manufacturer's instructions.

# Flue lengths

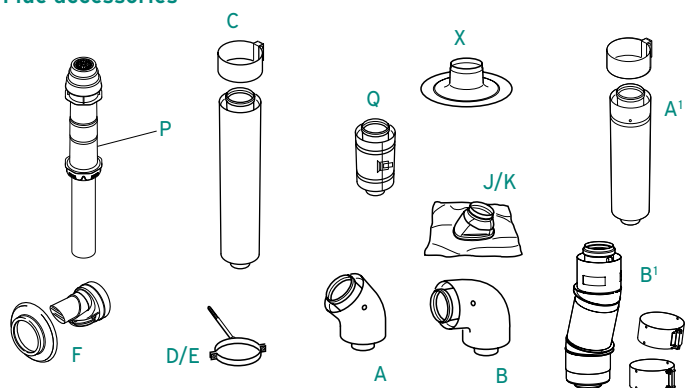
| Technical data                              | Horizontal flues |           | Vertical flues |           |
|---|------------------|-----------|----------------|-----------|
| Diameter                                    | 60/100 DN        | 80/125 DN | 60/100 DN      | 80/125 DN |
| <b>Combination boilers</b>                  |                  |           |                |           |
| ecoTEC exclusive 835 and 843                | 5.5m             | 32m       | 8m             | 34m       |
| ecoTEC plus 826                             | 10m              | 28m       | 10m            | 30m       |
| ecoTEC plus 832, 836, 840 and 940           | 8m               | 28m       | 8m             | 30m       |
| ecoTEC pro 24, 28 and 30                    | 12m              | 39m       | 16m            | 41m       |
| ecoFIT pure 825, 830 and 835                | 10m              | 25m       | 10m            | 25m       |
| <b>System boilers</b>                       |                  |           |                |           |
| ecoTEC exclusive 627                        | 5.5m             | 32m       | 8m             | 34m       |
| ecoTEC plus 610, 615 and 620                | 16m              | 28m       | 12m            | 30m       |
| ecoTEC plus 625, 630 and 635                | 8m               | 28m       | 8m             | 30m       |
| ecoTEC plus 48                              | -                | 18m       | -              | 21m       |
| ecoTEC plus 64                              | -                | 15m       | -              | 18m       |
| ecoFIT pure 612, 615, 618, 625 and 630      | 10m              | 25m       | 10m            | 25m       |
| <b>Open vent boilers</b>                    |                  |           |                |           |
| ecoTEC plus 412, 415, 418, 425, 430 and 435 | 10m              | 25m       | 10m            | 25m       |
| ecoFIT pure 412, 415, 418, 425, 430 and 435 | 10m              | 25m       | 10m            | 25m       |

**Please note:** there will be reductions in the maximum length of flues if elbows etc are required in the design. See the individual flue guides for further information.

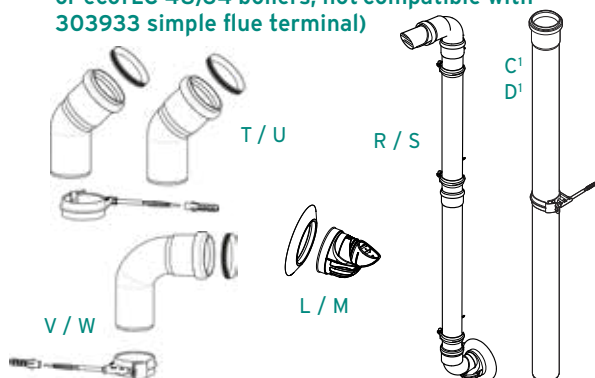
if you are replacing an existing boiler with a 2023 ecoTEC plus model, make sure the flue run is compatible with the new boilers flue length. If you have any questions, please speak to your local Vaillant Regional Business Manager.

# Flue solutions

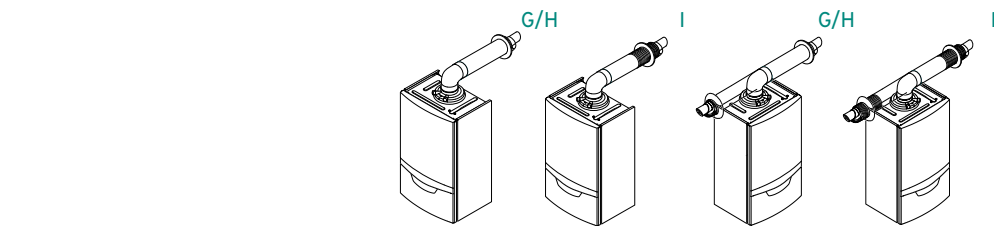
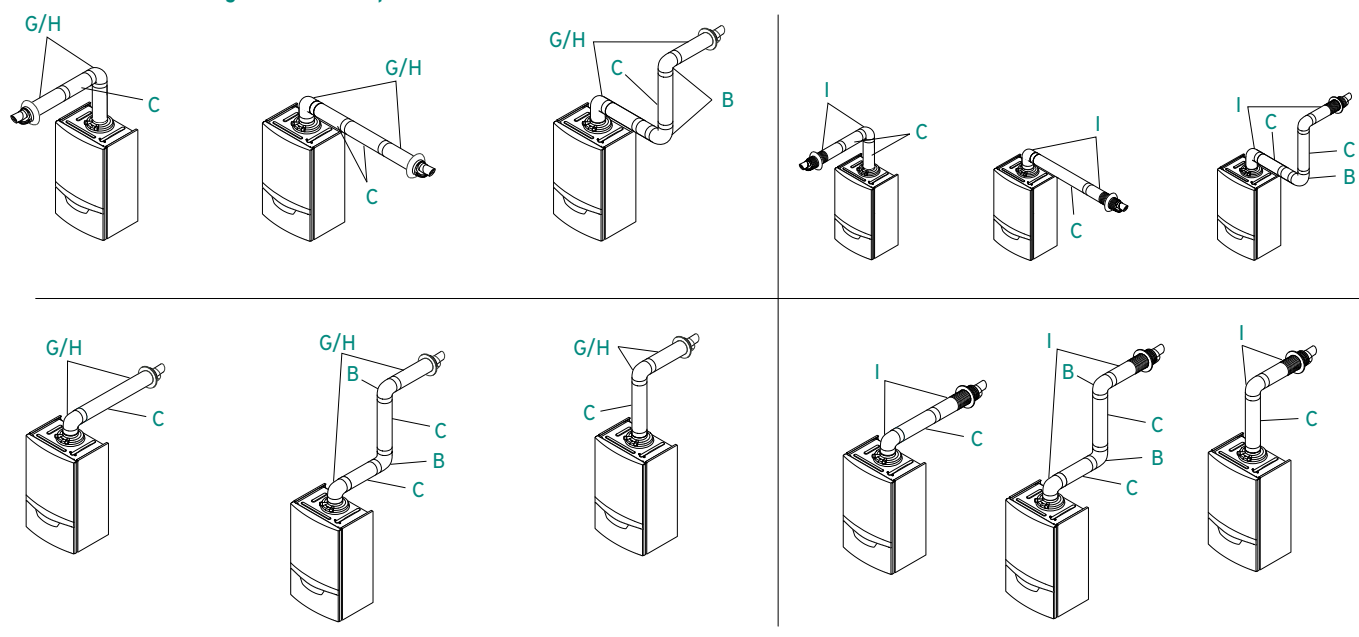
## Flue accessories



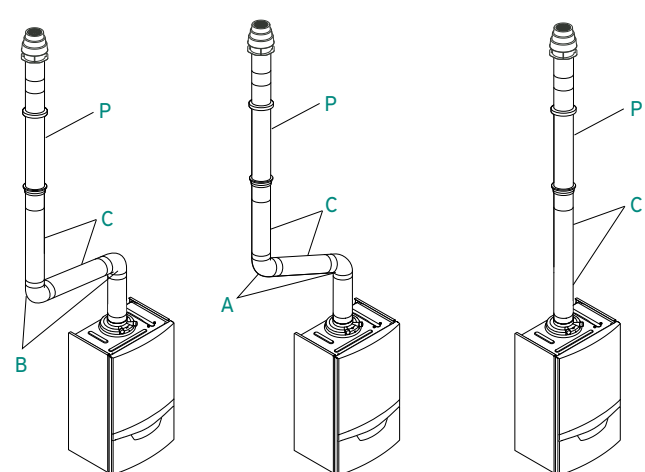
Variable termination kits (not for 80/125 flues or ecoTEC 48/64 boilers, not compatible with 303933 simple flue terminal)



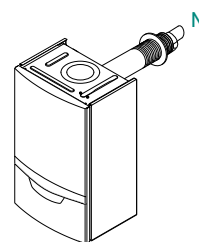
## Horizontal flue configuration examples



## Vertical flue configuration examples



Rear flue configuration (ecoFIT pure and ecoTEC plus open vent only)





60/100 and 80/125 DN flue components

| Component      | Description   | Part number |           |
|----------------|---|-------------|-----------|
|                |   | 60/100 DN   | 80/125 DN |
|                | Diameter  | 60/100 DN   | 80/125 DN |
| A              | Bends 45° (pack of 2)   | 303911      | 303211    |
| B              | Elbow 87°   | 303910      | 303210    |
| C              | Extension 0.5 m DN60/100                                      | 303902      | 303202    |
|                | Extension 1.0m DN60/100                                       | 303903      | 303203    |
|                | Extension 2.0m DN60/100                                       | 303905      | 303205    |
|                | Extension 4.0m DN60/100                                       | 0020138174  | -         |
| D              | Fixing clamp (140mm thread length) (pack of 5) DN60/100       | 303821      | 303616    |
| E              | Flue support clips (250mm thread length) (pack of 3) DN60/100 | 303935      | -         |
| F              | Flue terminal kit (black)                                     | 0010039348  | -         |
| G              | Horizontal flue kit 1.7m                                      | 0010039327  | -         |
| H              | Horizontal flue kit 0.7m                                      | 0010039324  | 303209    |
| I              | Horizontal telescopic flue kit for top exit point             | 0010039333  | -         |
| J              | Pitched roof tile flexible (black) 25 to 45°                  | 303980      |           |
| K              | Pitched weather collar 25 to 50°                              | 009076      |           |
| L              | Plume deflector kit (black) (not for ecoTEC exclusive)        | 0010039343  | -         |
| M              | Plume deflector kit (white) (not for ecoTEC exclusive)        | 0010039345  | -         |
| N              | Rear exit telescopic flue kit                                 | 0010039336  | -         |
| P              | Roof terminal (black)   | 0020223472  | 303200    |
| Q              | Sliding sleeve  | 303915      | 303215    |
| R              | Variable termination kit (black)                              | 0010039338  | -         |
| S              | Variable termination kit (white)                              | 0010039340  | -         |
| T              | Variable termination kit elbow 45° (pack of 2) - (black)      | 0010039358  | -         |
| U              | Variable termination kit elbow 45° (pack of 2) - (white)      | 0010039360  | -         |
| V              | Variable termination kit elbow 87° (black)                    | 0010039354  | -         |
| W              | Variable termination kit elbow 87° (white)                    | 0010039356  | -         |
| X              | Flat roof weather collar                                      | 009056      |           |
| A <sup>1</sup> | Telescopic flue extension (500 - 800mm)                       | 303906      |           |
| B <sup>1</sup> | Telescopic offset flue DN60/100                               | 303919      |           |
| C <sup>1</sup> | Variable termination kit extension 1.0m black                 | 0010039350  |           |
| D <sup>1</sup> | Variable termination kit extension 1.0m white                 | 0010039352  |           |

## Stainless steel 80/125mm facade flue

### Maximum facade flue length

| ecoTEC plus  | 48kW  | 64kW  |
|--|---|---|
| Maximum permissible length of concentric flue gas pipe | 22.0m (includes 3 x 87° elbows and support elbow) | 22.0m (includes 3 x 87° elbows and support elbow) |

Air intake piece must be positioned no further than 4m from the connection with the boiler.



80/125mm concentric stainless steel facade flue.

| Key | 80/125mm facade flue                        | Article number | Key | Facade basic connection set | Article number |
|-----|---|----------------|-----|-----------------------------|----------------|
| A   | 45° elbow (pack of 2)*                      | 0020042757     | 1   | 87° elbow                   | 0020042748     |
| B   | 87° elbow (pack of 1)*                      | 0020042756     | 2   | Transition piece            |                |
| C   | Fixing bracket extension                    | 0020042752     | 3   | Inner wall rosette          |                |
| D   | Rain collar                                 | 0020042760     | 4   | Outer wall rosette          |                |
| E   | 1.0m extension                              | 0020042754     | 5   | Wall penetration elbow      |                |
|     | 0.5m extension                              | 0020042753     | 6   | Air intake piece            |                |
|     | 0.5m adjustable extension                   | 0020042755     | 7   | Bird guard terminal         |                |
| F   | Fixing bracket                              | 0020042751     |     |                             |                |
| G   | Fixing bracket                              | 0020042751     |     |                             |                |
| H   | Adjustable wall support for heights over 4m | 0020042749     |     |                             |                |

\* Can be used to terminate horizontally.

# Boiler Protection Kit

## Magnetic system filters



### Overview

Today's highly energy-efficient heating systems can only offer optimal performance with dirt-free water.

The unique magnetic field booster technology guarantees unprecedented fast, optimal dirt separation. Even the smallest magnetite particles are removed, maximising system performance as well as protecting costly system components.

Thanks to the ingenious design, collected dirt can be removed quickly and easily.

### Features & benefits



#### Small particle removal

Very small particles, from  $5\mu\text{m}$  (= 0.005 mm) and up are separated and removed.



#### Flexible

22mm and 28mm connection diameters available. 22 mm version suitable for boilers with heating output up to 27kW. 28 mm version suitable for boilers with heating output of 28 to 45kW.



#### Valveless design

No shut-off valves or bypass required.



#### Instant operation

Instant operation as soon as the system is up and running.



#### Constant low pressure drop

Maximising system performance.



#### Extended guarantee

Provides extended guarantees on all Vaillant boiler installations, when registered on Advance. Visit Advance for more information.



#### Low maintenance

Maintenance only takes a few seconds and is not a dirty job compared to a filter solution.

# Advance Boiler Protection Kit

## Magnetic system filters



### Overview

Correct water quality and treatment is of paramount importance to a healthy heating system. Complete with a 10-year guarantee and manufactured to our very own specification, the Advance Boiler Protection Kit uses a 12,000-gauss magnet to provide strong magnetite removal capabilities. Available as a 22mm variant, the filter fits horizontally onto the pipework, meaning it can be fitted into tighter spaces, and is designed to be fitted close to the bottom of the boiler, making it a more discreet solution.

Due to the magnet utilising an existing boiler isolation valve and the low volume of the magnet, the drain off is shorter, meaning less water drainage when removing magnetite out of the filter. Patent pending UK 2009327.4

### Features & benefits



#### Horizontal fitting with compact design

The filter is designed to be sited horizontally, which saves space so that when fitted, a smaller portion of the filter is visible, allowing more flexible and less intrusive siting options.



#### Brass design

The main body of the filter is high quality brass to match the standard of the rest of the Vaillant portfolio.



#### Quick servicing

The filter is easily dismantled at the middle, and the magnet sheath removed, for faster removal of dirt. O-rings for the filter are available as a spare part should any need replacing during the servicing process.



#### Full 360-degree rotatable head

The rotatable head provides ease of access to the dosing point available underneath the filter.



#### Compatible with water and water/glycol mixes

Perfect for boilers installed in cold situations where glycol has been added to protect from freezing.



#### Advanced magnetizing process

Exerts its magnetic power in a wider region, even when full, for fully optimised filtration efficiency that averages over 80%, even when the magnet is fully covered.



#### Standard 3/4" drain point connection

Can connect to a standard hose, so the drain point can also be used for dosing. The unique sealing ring and swivel head allows it to rotate without leaking for easier serviceability.



#### Maximum operating temperature 90°C

Ideal for modern systems as well as older, high temperature systems.

# Domestic hot water cylinders



## Overview

Performance and reliability is what Vaillant is all about. That's why our products have been expertly designed and engineered to work to their full potential together. Working in harmony with all Vaillant domestic boilers, the uniSTOR cylinder range uses state of the art insulation that provides ultimate efficiency. However our high recovery cylinders, with the larger coils, have the advantage of improving boiler output, and reducing heat up times, as well as being designed to work with Vaillant heat pumps.

The high-quality, stainless steel uniSTOR cylinder range is ideal for domestic properties with a new or existing sealed system or open vent boiler. uniSTOR cylinders are 'unvented' cylinders which means they can operate efficiently under higher pressures.

The Vaillant cylinder range meets the appropriate standards, and building and water regulations of the Hot Water Association charter, and is subject to rigorous auditing processes that ensure the highest quality standards are maintained.

## Features & benefits



### Slimline, pre-plumbed, standard and high recovery cylinders in the range

Slimline for narrow spaces, pre-plumbed for ease of installation, saving onsite time and cost.



### Improved insulation

Best in class ErP rating and very low heat loss, meaning lower running costs.



### Controls mounting plate

For easy location of controls (pre-plumbed only).



### In-line front connections with hidden cable duct

In-line front facing connections for easy access, and hidden cable duct to protect unsightly wiring.



### Adjustable feet (excluding slimline models)

For easy installation on uneven ground.



### Unvented kit and expansion vessel supplied with product

No additional cost to meet G3 requirements.



### 25-year guarantee

2-year guarantee on the parts and labour plus 25-year guarantee for the cylinder shell, giving you total peace of mind.



### Flexible and a retro-fit solution

Can be upgraded in place of older models, as part of an system upgrade, or future proof your home by installing a high recovery renewable cylinder.

# uniSTOR slim-line pre-plumbed cylinder



| Technical data          | Unit of measure | uniSTOR slimline pre-plumbed |            |
|-------------------------|-----------------|------------------------------|------------|
| Model                   |                 | 120                          | 150        |
| Article number          |                 | 0010019209                   | 0010019210 |
| Maximum height          | mm              | 1452                         | 1667       |
| Diameter                | mm              | 435                          | 435        |
| Unvented kit            | l               | 12                           | 12         |
| Energy-related Products | band            | C                            | C          |
| Heat loss               | kW / 24hrs      | 1.68                         | 1.80       |
| Coil output             | kW              | 16.4                         | 16.1       |
| Coil size               | m <sup>2</sup>  | 0.65                         | 0.65       |
| Primary flow rate       | l/h             | 900                          | 900        |
| Re-heat (70%)           | mins            | 15.2                         | 18.4       |
| Heat up 15 to 60°C      | mins            | 21.7                         | 26.3       |
| Actual water capacity   | l               | 121                          | 141        |
| Weight empty            | kg              | 49.5                         | 53.6       |
| Weight full             | kg              | 174                          | 198        |

# uniSTOR slim-line pre-plumbed cylinder

High recovery



| Technical data          | Unit of measure | uniSTOR slimline pre-plumbed (high recovery) |
|-------------------------|-----------------|--|
| Model                   |                 | 150  |
| Article number          |                 | 0020237129                                   |
| Maximum height          | mm              | 1642   |
| Diameter                | mm              | 435  |
| Unvented kit            | l               | 12   |
| Energy-related Products | band            | C  |
| Heat loss               | kW / 24hrs      | 1.80   |
| Coil output             | kW              | 21.7   |
| Coil size               | m <sup>2</sup>  | 1.0  |
| Primary flow rate       | l/h             | 900  |
| Re-heat (70%)           | mins            | 12.9   |
| Heat up 15 to 60°C      | mins            | 18.49  |
| Actual water capacity   | l               | 145.1  |
| Weight empty            | kg              | 54.5   |
| Weight full             | kg              | 193.9  |

# uniSTOR pre-plumbed cylinder



| Technical data          | Unit of measure | uniSTOR pre-plumbed |            |            |            |
|-------------------------|-----------------|---------------------|------------|------------|------------|
| Model                   |                 | 180                 | 200        | 250        | 300        |
| Article number          |                 | 0010019211          | 0010019212 | 0010019213 | 0010019214 |
| Maximum height          | mm              | 1169                | 1269       | 1539       | 1749       |
| Diameter                | mm              | 595                 | 595        | 595        | 595        |
| Unvented kit            | l               | 18                  | 18         | 25         | 25         |
| Energy-related Products | band            | B                   | B          | B          | B          |
| Heat loss               | kW / 24hrs      | 1.11                | 1.22       | 1.41       | 1.59       |
| Coil output             | kW              | 17.1                | 16.9       | 16.6       | 16.5       |
| Coil size               | m <sup>2</sup>  | 0.80                | 0.80       | 0.80       | 0.80       |
| Primary flow rate       | l/h             | 900                 | 900        | 900        | 900        |
| Re-heat (70%)           | mins            | 20.7                | 22.1       | 30.3       | 34.0       |
| Heat up 15 to 60°C      | mins            | 29.6                | 31.6       | 43.3       | 48.5       |
| Actual water capacity   | l               | 175                 | 194        | 245        | 284        |
| Weight empty            | kg              | 59.0                | 61.2       | 70.9       | 76.0       |
| Weight full             | kg              | 234                 | 255        | 316        | 365        |



# uniSTOR pre-plumbed cylinder

High recovery



| Technical data          | Unit of measure | uniSTOR pre-plumbed (high recovery) |            |            |
|-------------------------|-----------------|-------------------------------------|------------|------------|
| Model                   |                 | 200                                 | 250        | 300        |
| Article number          |                 | 0020237130                          | 0020237131 | 0020237132 |
| Maximum height          | mm              | 1265                                | 1535       | 1745       |
| Diameter                | mm              | 595                                 | 595        | 595        |
| Unvented kit            | l               | 18                                  | 25         | 25         |
| Energy-related Products | band            | B                                   | B          | B          |
| Heat loss               | kW / 24hrs      | 1.2                                 | 1.4        | 1.6        |
| Coil output             | kW              | 26.0                                | 40.7       | 52.5       |
| Coil size               | m <sup>2</sup>  | 1.4                                 | 2.4        | 2.8        |
| Primary flow rate       | l/h             | 900                                 | 900        | 900        |
| Re-heat (70%)           | mins            | 14.2                                | 10.6       | 7.5        |
| Heat up 15 to 60°C      | mins            | 20.83                               | 15.08      | 10.66      |
| Actual water capacity   | l               | 190.7                               | 236.3      | 273.5      |
| Weight empty            | kg              | 58.0                                | 73.3       | 80.6       |
| Weight full             | kg              | 249.4                               | 313.6      | 369.4      |

# uniSTOR standard cylinder



| Technical data          | Unit of measure | uniSTOR standard |            |            |            |            |            |
|-------------------------|-----------------|------------------|------------|------------|------------|------------|------------|
| Model                   |                 | 120              | 150        | 180        | 200        | 250        | 300        |
| Article number          |                 | 0020235265       | 0020235266 | 0020235267 | 0020235268 | 0020235269 | 0020235270 |
| Maximum height          | mm              | 840              | 1000       | 1165       | 1265       | 1535       | 1745       |
| Diameter                | mm              | 595              | 595        | 595        | 595        | 595        | 595        |
| Unvented kit            | l               | 12               | 12         | 18         | 18         | 25         | 25         |
| Energy-related Products | band            | A                | A          | B          | B          | B          | B          |
| Heat loss               | kW / 24hrs      | 0.83             | 0.86       | 1.11       | 1.22       | 1.41       | 1.59       |
| Coil output             | kW              | 15.8             | 17.2       | 17.1       | 16.9       | 16.6       | 16.5       |
| Coil size               | m <sup>2</sup>  | 0.65             | 0.65       | 0.80       | 0.80       | 0.80       | 0.80       |
| Primary flow rate       | l/h             | 900              | 900        | 900        | 900        | 900        | 900        |
| Re-heat (70%)           | mins            | 14.3             | 18.6       | 20.7       | 22.1       | 30.3       | 34.0       |
| Heat up 15 to 60°C      | mins            | 20.4             | 26.6       | 29.6       | 31.6       | 43.3       | 48.5       |
| Actual water capacity   | l               | 115              | 145        | 176        | 194        | 245        | 284        |
| Weight empty            | kg              | 30.0             | 35.0       | 39.0       | 42.0       | 48.0       | 54.0       |
| Weight full             | kg              | 149              | 184        | 219        | 240        | 297        | 343        |

# uniSTOR standard cylinder

High recovery



| Technical data          | Unit of measure | uniSTOR standard (high recovery) |            |            |            |
|-------------------------|-----------------|----------------------------------|------------|------------|------------|
| Model                   |                 | 150                              | 200        | 250        | 300        |
| Article number          |                 | 0020235271                       | 0020235272 | 0020235273 | 0020235274 |
| Maximum height          | mm              | 975                              | 1265       | 1535       | 1745       |
| Diameter                | mm              | 595                              | 595        | 595        | 595        |
| Unvented kit            | l               | 12                               | 18         | 25         | 25         |
| Energy-related Products | band            | B                                | B          | B          | B          |
| Heat loss               | kW / 24hrs      | 1.0                              | 1.2        | 1.4        | 1.6        |
| Coil output             | kW              | 20.8                             | 26.0       | 40.7       | 52.5       |
| Coil size               | m <sup>2</sup>  | 1.0                              | 1.4        | 2.4        | 2.8        |
| Primary flow rate       | l/h             | 900                              | 900        | 900        | 900        |
| Re-heat (70%)           | mins            | 13.8                             | 14.6       | 10.6       | 7.5        |
| Heat up 15 to 60°C      | mins            | 19.67                            | 20.83      | 15.08      | 10.66      |
| Actual water capacity   | l               | 127                              | 172.5      | 211.0      | 230.9      |
| Weight empty            | kg              | 38.0                             | 46.0       | 61.0       | 67.6       |
| Weight full             | kg              | 181.3                            | 237.4      | 301.3      | 356.8      |

# Industry leading training for industry leading engineers



## Training

At Vaillant, we pride ourselves on being at the forefront of technology and sharing our expertise. That's why, we offer a wide range of training courses to help support our installers and their businesses. Whether you're looking for online, practical or accredited courses, we can help find the right training journey for you.

## Why train with us?



### Nationwide training facilities

We have 8 training facilities across the UK, all of which are equipped with industry-leading products to support your learning.



### 341 years of expertise

The training team have hundreds of years combined expertise between them, so you can rest assured that you're learning from the best in the business.



### Hands-on learning

We strive to deliver a practical approach to training, with live boilers and heat pump installations for you to work on at every one of our centres of excellence.



### Courses for all skill levels

We provide training for all skill levels, from apprentices right through to experienced engineers.



### Loyalty rewards

Earn Advance rewards such as cashback, credits and exclusive invites to events when you train with us.



### Ongoing support

Our training team are committed to sharing knowledge, experience and content to support you throughout your Vaillant training journey.

Scan to learn more about our training courses



# Service and spares support



## Spares and support, year after year

Vaillant is committed to responsible spares provision and provides spares for a minimum of 15 years after production ceases. We have a nationwide network of genuine spares stockists and a dedicated spare parts team to help you identify the parts you require.

Vaillant has even developed an app that helps identify spare parts to make ordering easier. Simply search for Vaillant on Google Play or the App Store.

## Service you can count on

At Vaillant UK, we invest as much of our resources into our service and support as we do in creating our outstanding heating solutions. So you can rest assured that when you choose a Vaillant product, you will be supported by the best service in the industry. Vaillant has specialist teams available to support installers and end-users with all enquiries. We pride ourselves on the efficiency of our service departments, supported by online tools that allow our customers to book appointments for our services for added convenience.

Vaillant has over 250 service engineers. This includes the largest specialist fleet of renewable and commercial systems engineers in the UK. With phone operators available 364 days a year, service and support from Vaillant UK is never far away.

## Order numbers

| Article description                  | Article number |
|--------------------------------------|----------------|
| Advance Boiler Protection Kit (22mm) | 0010035819     |
| Boiler Protection Kit (22mm)         | 0020278309     |
| Boiler Protection Kit (28mm)         | 0020278310     |
| <b>Combination boilers</b>           |                |
| ecoTEC exclusive 835                 | 0010017064     |
| ecoTEC exclusive 843                 | 0010017065     |
| ecoTEC plus 826                      | 0010036015     |
| ecoTEC plus 832                      | 0010036016     |
| ecoTEC plus 836                      | 0010036017     |
| ecoTEC plus 840                      | 0010036018     |
| ecoTEC plus 940                      | 0010036114     |
| ecoTEC pro 24                        | 0010021836     |
| ecoTEC pro 28                        | 0010021837     |
| ecoTEC pro 28 LPG                    | 0010021838     |
| ecoTEC pro 30                        | 0010016538     |
| ecoFIT pure 825                      | 0010020389     |
| ecoFIT pure 830                      | 0010020390     |
| ecoFIT pure 835                      | 0010020391     |
| <b>System boilers</b>                |                |
| ecoTEC exclusive 627                 | 0010017063     |
| ecoTEC plus 610                      | 0010036009     |
| ecoTEC plus 615                      | 0010036010     |
| ecoTEC plus 620                      | 0010036011     |
| ecoTEC plus 625                      | 0010036012     |
| ecoTEC plus 630                      | 0010036013     |
| ecoTEC plus 635                      | 0010036014     |
| ecoTEC 48                            | 0010021520     |
| ecoTEC 64                            | 0010021521     |
| ecoFIT pure 612                      | 0010020395     |
| ecoFIT pure 615                      | 0010020396     |
| ecoFIT pure 618                      | 0010020397     |
| ecoFIT pure 625                      | 0010020398     |
| ecoFIT pure 630                      | 0010020399     |
| <b>Open vent boilers</b>             |                |
| ecoTEC plus 412                      | 0010021220     |
| ecoTEC plus 415                      | 0010021221     |
| ecoTEC plus 418                      | 0010021222     |
| ecoTEC plus 424                      | 0010021223     |
| ecoTEC plus 424 LPG                  | 0020231355     |
| ecoTEC plus 430                      | 0010021224     |
| ecoTEC plus 435                      | 0010015674     |
| ecoFIT pure 412                      | 0010020400     |
| ecoFIT pure 415                      | 0010020401     |
| ecoFIT pure 418                      | 0010020402     |
| ecoFIT pure 425                      | 0010020403     |
| ecoFIT pure 430                      | 0010020404     |
| ecoFIT pure 435                      | 0010020405     |
| <b>Controls</b>                      |                |
| vSMART combi pack                    | 0020223154     |
| vSMART system/open vent pack         | 0020223158     |

| Article description               | Article number |
|-----------------------------------|----------------|
| VRT 350                           | 0020124475     |
| VRT 350F                          | 0020124482     |
| VRT 15                            | 306777         |
| VR 66/2                           | 0020135785     |
| VR 70                             | 0020184844     |
| VR 71                             | 0020184847     |
| sensoROOM                         | 0010035748     |
| sensoROOM pure                    | 0010038663     |
| timeSWITCH 150                    | 0020116882     |
| timeSWITCH 160                    | 0020124498     |
| Wireless VRC 700F                 | 0020259829     |
| Wired VRC 700                     | 0020236291     |
| myVAILLANT connect                | 0010037346     |
| myVAILLANT connect + sensoROOM    | 0010038369     |
| myVAILLANT connect + sensoHOME RF | 0010038370     |
| myVAILLANT Connect with VRA 42    | 0010038367     |
| VRA 42                            | 0010040289     |
| VR 52                             | 020253437      |
| Long eBUS and DC wiring harness   | 0010035754     |
| H bracket                         | 0010048535     |
| sensoHOME                         | 0010036820     |
| sensoHOME RF                      | 0020260961     |
| sensoCOMFORT                      | 0010036819     |
| sensoCOMFORT RF                   | 0010036820     |
| <b>Cylinders</b>                  |                |
| <b>Slim-line pre-plumbed</b>      |                |
| uniSTOR 120                       | 0010019209     |
| uniSTOR 150                       | 0010019210     |
| uniSTOR 150 (high recovery)       | 0020237129     |
| <b>Pre-plumbed</b>                |                |
| uniSTOR 180                       | 0010019211     |
| uniSTOR 200                       | 0010019212     |
| uniSTOR 250                       | 0010019213     |
| uniSTOR 300                       | 0010019214     |
| uniSTOR 200 (high recovery)       | 0020237130     |
| uniSTOR 250 (high recovery)       | 0020237131     |
| uniSTOR 300 (high recovery)       | 0020237132     |
| <b>Standard</b>                   |                |
| uniSTOR 120                       | 0020235265     |
| uniSTOR 150                       | 0020235266     |
| uniSTOR 180                       | 0020235267     |
| uniSTOR 200                       | 0020235268     |
| uniSTOR 250                       | 0020235269     |
| uniSTOR 300                       | 0020235270     |
| uniSTOR 150 (high recovery)       | 0020235271     |
| uniSTOR 200 (high recovery)       | 0020235272     |
| uniSTOR 250 (high recovery)       | 0020235273     |
| uniSTOR 300 (high recovery)       | 0020235274     |

| Article description                        | Article number |
|--|----------------|
| <b>Flues and accessories</b>               |                |
| Bends 45° (2 off) DN60/100                 | 303911         |
| Elbow 87° DN60/100                         | 303910         |
| Extension 1.0m DN60/100                    | 303903         |
| Extension 2.0m DN60/100                    | 303905         |
| Extension 4.0m DN60/100                    | 0020138174     |
| Extension 0.5m DN 60/100                   | 303902         |
| Extension 0.5m DN 80/125                   | 303202         |
| Fixing clamp (5 off)                       | 303821         |
| Flue support clips (5 off)                 | 303935         |
| Flue terminal kit (black)                  | 0010039348     |
| Horizontal flue kit 1.7m                   | 0010039327     |
| Horizontal flue kit DN60/100               | 0010039324     |
| Horizontal telescopic flue kit DN60/100    | 0010039333     |
| Pitched roof tile flexible                 | 303980         |
| Pitched weather collar                     | 009076         |
| Plume deflector kit (black)                | 0010039343     |
| Plume deflector kit (white)                | 0010039345     |
| Pipe cover plate (large)                   | 0020237908     |
| Pipe cover plate (small)                   | 0020237909     |
| Rear telescopic flue kit                   | 0010039336     |
| Roof terminal (black)                      | 0020223472     |
| Ridge tile terminal                        | 303982         |
| Sliding sleeve DN60/100                    | 303915         |
| Telescopic offset flue DN60/100            | 303919         |
| Variable termination kit (black)           | 0010039338     |
| Variable termination kit (white)           | 0010039340     |
| VTK elbow 45 deg (2 off) (black)           | 0010039358     |
| VTK elbow 45 deg (2 off) (white)           | 0010039360     |
| VTK elbow 87 deg (black)                   | 0010039354     |
| VTK elbow 87 deg (white)                   | 0010039356     |
| VTK extension 1.0m black                   | 0010039350     |
| VTK extension 1.0m white                   | 0010039352     |
| Spacing frame (ecoFIT pure c&s only)       | 0020229924     |
| Spacing frame (ecoTEC plus / pro c&s only) | 308650         |
| ecoLEVEL condensate pump                   | 0020030797     |
| Upward piping kit                          | 0020237907     |

# Contacts

## Sales enquiries

Vaillant sells its products through plumbing and heating merchants in the UK. For further information, contact your local Vaillant sales representative.

Phone: **0345 602 0262**

## Training

For information on training centres and courses in your area.

Phone: **0345 601 8885**

Email: [training@vaillant.co.uk](mailto:training@vaillant.co.uk)

## Technical enquiries

If you have a technical query, you can contact us by phone or email.

Phone: **0344 693 3133**

Email: [technical@vaillant.co.uk](mailto:technical@vaillant.co.uk)

## Advance support line

There's a Regional Business Manager near you to support your business, along with dedicated Advance support lines.

Call us: **0330 678 0878** or




Email us: [advance-support@vaillant.co.uk](mailto:advance-support@vaillant.co.uk)

## General enquiries

If you are unsure of who you need to speak to or you have a general enquiry, our friendly reception staff will happily point you in the right direction.

Phone: **0345 602 2922**



 Heating  Hot water  Renewables

### Vaillant Group UK Ltd.

Nottingham Road, Belper, Derbyshire DE56 1JT

Telephone 0345 602 2922

[professional.vaillant.co.uk](http://professional.vaillant.co.uk)

[info@vaillant.co.uk](mailto:info@vaillant.co.uk)

Search for VaillantUK on  