



Home

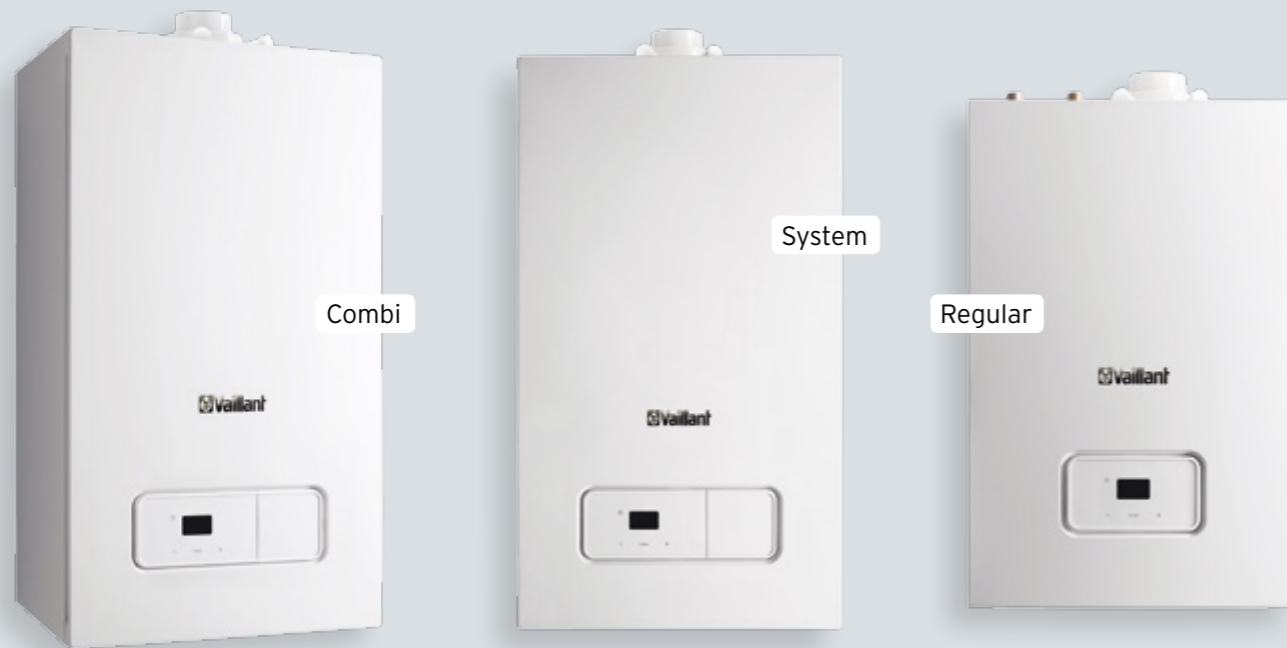
The boiler range

for new build developers, from Vaillant.

Vaillant Home boiler range

The overview brochure

The Home boiler range...



featuring the highest ever

SAP performance for combi boilers

Vaillant has developed a range of ErP 'A' Rated boilers, specifically created for the new build market.

The Home boiler range provides the highest ever SAP efficiency levels: significantly exceeding building regulations and offering opportunities to lower your overall build costs.

Home has been designed with simplicity in mind, making it easier for developers to comply with SAP, ensuring that you can hit your DER targets in the most cost-effective way possible.

At Vaillant, we offer our customers the unrivalled levels of service and support that you would expect from the world's largest heating manufacturer. Our service includes industry-leading homeowner and installer support, an excellent design service and multi-million pound R&D programmes, which ensure that our products and services continue to be the best.



Industry-leading SAP performance levels

Vaillant Home is recognised as the most efficient boiler range for new build developments, achieving up to 4% improvement* on DER.

Which of course, all goes towards helping your designers meet their SAP requirements with ease.



Add Vaillant controls: boost SAP efficiency

The Home boiler features a bright, LCD on-board display and is compatible with a choice of Vaillant controls from a simple analogue timer to the advanced vSMART™ app-based heating control. Home can also be installed with any currently specified third-party controls. Choosing Vaillant controls boosts SAP efficiency levels even further to reduce complexity and costs.

Options to suit any house type

Home's wide range of outputs, covering combi, system and regular options means that we have a solution to meet each and every house design and homeowner demand.

Expert service from initial specification to homeowner support

Vaillant offers developers a complete support package that is with you every step of the way. From early specification consultancy, followed by a comprehensive design service, full technical support and training for your installers, marketing support for the show home sales team and of course, homeowner support. With a UK call centre and over 230 fully trained service engineers, Vaillant offers unrivalled service levels to ensure your Home boiler is always performing at its peak.

A choice of guarantee

For extra peace of mind, your Vaillant Home boiler comes with a 2-year guarantee as standard - with options available for homeowners to purchase guarantee extensions up to 5 years. Homeowners can also choose from a variety of annual service packages, all carried out by our own skilled service engineers.

* Figures based on 3 bed detached house, 104m², 1 bath, 1 en-suite with a Home combi 30 installed

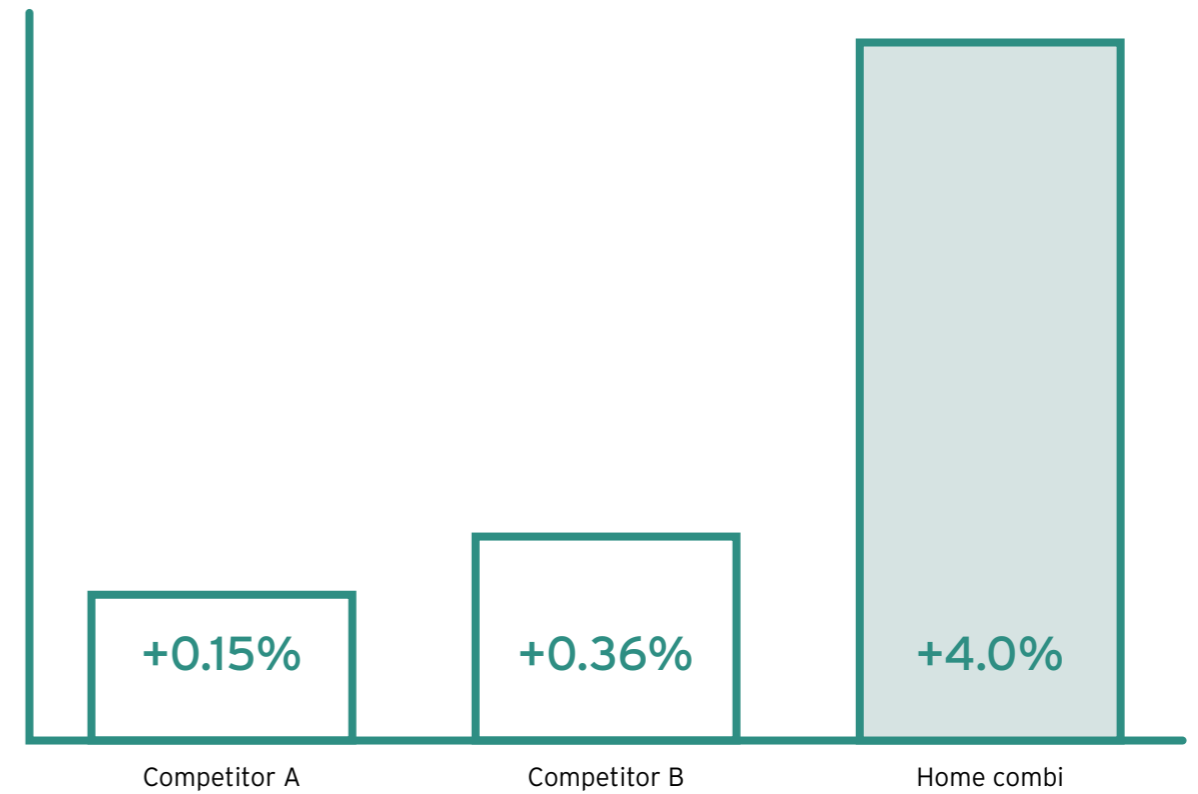


Don't take our word for it: ask your SAP assessor to check these figures.

SAP assessors can use the Product Characteristics Database (PCDB) information within SAP calculation software to review the industry-leading performance of the Home range against your chosen house types.

Boiler Model	Article Number	PCDB Number
HOME REGULAR 12	0010019925	017827
HOME REGULAR 15	0010019926	017828
HOME REGULAR 18	0010019927	017829
HOME REGULAR 25	0010019928	017830
HOME REGULAR 30	0010019929	017831
HOME COMBI 25	0010019930	017836
HOME COMBI 30	0010019931	017837
HOME COMBI 35	0010019932	017838
HOME SYSTEM 12	0010019934	017832
HOME SYSTEM 15	0010019935	017833
HOME SYSTEM 18	0010019936	017834
HOME SYSTEM 25	0010019937	017835

Control Model	Article Number	PCDB Number
vSMART™	0020197226	TBC
VRC 470f	0020108137	0200012
VRT 350	0020124475	0200013
VRT 350f	0020124482	0200014



Home combi can achieve up to 3.64% improvement on DER compared to the previous best-in-class combi competitor.

	Home	Outputs kW	SEDBUK 2009/2012 Annual Efficiency	SEDBUK Winter Efficiency	SEDBUK Summer Efficiency	Comparative Hot Water Efficiency (%)	ErP Energy Rating (CH / DHW)	DHW Flow Rate (l/min)
Combi		25, 30, 35	89.3	90.2	87.3	25kW - 81.1 30kW - 76.7 35kW - 81.5	A/A	25kW - 10.4 30kW - 12.4 35kW - 14.5
System		12, 15, 18, 25	89.3	90.3	79.6	n/a	A	n/a
Regular		12, 15, 18, 25, 30	89.3 (30kW - 89.2)	90.3 (30kW - 90.2)	79.6 (30kW - 79.5)	n/a	A	n/a



Home combination boiler

The Home combi boiler comes with an impressive range of outputs. An attractive, contemporary design, bright easy to use interface and a choice of homeowner controls. The Home boiler range features the highest efficiency levels for the new build market, reducing the complexity of the initial build and offering homeowners an industry-leading heating performance which will help keep energy bills low.

Home is a light and easy to install boiler and is suitable for all house types. Using a standard DIN pipe layout makes boiler installations quick and easy and patented 4-sided cooling reduces the stress on the aluminium heat exchanger: meaning greater reliability and a lower cost of ownership. The Home boiler range is supported by a choice of guarantees for the new homeowner and Vaillant's UK-wide spare parts availability offers further peace of mind.



Industry-leading SAP efficiency



2-year warranty as standard. Option to increase to 5 years



ErP A Rated



Built in the UK



Ultra quiet operation

Home combination boilers

Product Features & Benefits

High Performance

- ErP A Rated (93%)
- High SAP efficiency of 89.3%
- SAP performance up to 3.64% higher than a typical competitor reference
- Modulation up to 1:5 for increased efficiency
- Fully modulating low NOx burner

Ease of Installation

- Compact case dimensions 740mm x 418mm x 300mm (system and combi)
- Two-way siphonic condensate trap for simplicity of commissioning
- Fully modulating high-efficiency Grundfos pump
- Fully compatible with a choice of Vaillant controls
- Low lift weight
- Fittings pack included

Quality and reliability

- High performance, long life aluminium alloy heat exchanger
- Production to ISO 9001
- 2-year guarantee for peace of mind, with the opportunity to extend to 5 years

Flexible siting

- Flue lengths up to 10m horizontal or vertical with standard 100mm flue
- Flue lengths up to 25m horizontal or vertical with optional 125mm flue
- Upward piping possible with optional spacer frame accessory
- No compartment ventilation needed
- Complete range to suit every UK house type

Home combi boilers	25kW	30kW	35kW
Casing dimensions (h w d) (mm)	740 x 418 x 300		
SEDBUK 2009/2012 annual efficiency (%)	89.3		
SEDBUK winter efficiency (%)	90.2		
SEDBUK summer efficiency (%)	87.3		
Comparative hot water efficiency (%)	81.1	78.7	81.5
DHW flow rate (l/min, 35° c rise)	10.4 l/min	12.4 l/min	14.4 l/min
60/100 Flue length			
Horizontal	10m		
Vertical	10m		
Article number	0010016117	0010016118	0010016119

Below is a list of related Vaillant accessories, designed to help maximise your system to its full potential:

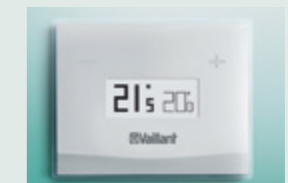
Heating controls:



VRT 350
VRT 350f
(wireless version)

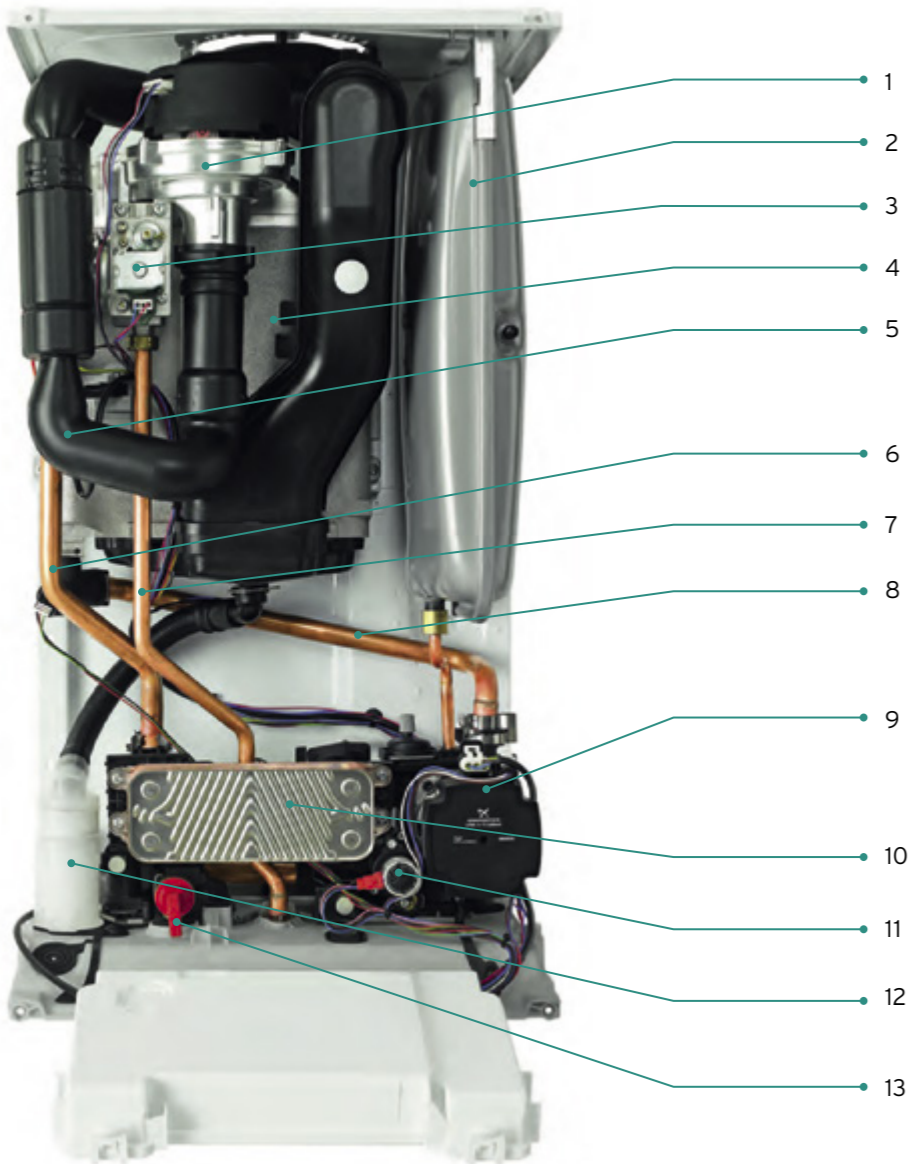


VRC 470f
(wireless version)



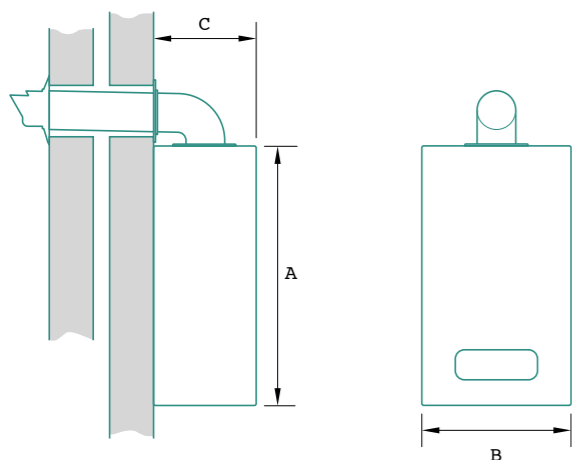
vSMART™

*For full details of our range of compatible controls please see pages 18-21



Key:

1. Fan
2. Expansion vessel
3. Gas valve
4. Heat exchanger
5. Air intake pipe
6. Flow pipe
7. Gas pipe
8. Return pipe
9. Internal pump
10. Secondary heat exchanger
11. Diverter valve
12. Patented 2-way condensate trap
13. Pressure relief valve



Boiler dimensions:

Height (A)	Width (B)	Depth (C)
740mm	418mm	300mm

Combination boilers - Home 25 / 30 / 35

Home combi boilers	25kW	30kW	35kW
Casing dimensions (h w d) (mm)	740 x 418 x 300		
Weight (lift) (kg)	32	33	33
Performance			
CH output (kW) Min/Max	5.1/15.2	6.1/15.2	7.1/15.2
DHW output (kW)	25	30	35
DHW flow rate (l/min, 35°C rise)	10.4	12.4	14.4
DHW flow rate (l/min, 30°C rise)	12.1*	14.5*	16.8*
Minimum operating pressure (bar)	0.35		
Min pressure for max flow	1.0		
SEDBUK 2009/2012 annual efficiency (%)	89.3		
SEDBUK winter efficiency (%)	90.2		
SEDBUK summer efficiency (%)	87.3		
Comparative hot water efficiency (%)	81.1	78.7	81.5
ErP rating heating	A		
ErP rating DHW	A		
NOx class 5 (natural gas)	Yes		
Construction			
Heat exchanger material	Aluminium		
Burner type	Downward firing		
Fully modulating	Yes		
DHW plate heat exchanger	Stainless steel		
Integrated hydrobloc	Yes		
Installation			
Suitable for sealed systems	Yes		
Filling loop	No		
Inbuilt system bypass	Yes		
Inbuilt condensate trap/siphon	Yes		
Inbuilt frost protection	Yes		
Zero compartment ventilation	Yes		
Pump	Grundfos		
Clearances			
Top (mm)	150		
Side (mm)	0/5**		
Bottom (mm)	150		
Front (mm)	600***		
User Interface			
Diagnostics	Advanced/Intuitive		
User adjustable CH temp control	Yes		
User adjustable DHW temp control	Yes		
Accessories			
Optional spacing frame	Yes		
Plug-in mechanical timer	Optional		
Aesthetic pipe cover	Yes		
Optiflue compatible (PFGHRD)	Yes		
Flues			
Max horizontal 60/100	10m		
Max vertical 60/100	10m		
Max horizontal 80/125	25m		
Max vertical 80/125	25m		
Optional plume management kit 60/100	Yes		

* 40°C NHBC standard based on 30°C rise with a 10°C cold water inlet

** See manual for clearance if side panels to be removed to assist future service and maintenance

*** 5mm if removable panel/door

For access to Vaillant's system design service or for more detailed technical information, please call 01732 878803 or visit www.vaillant.co.uk



Home system boiler

The Home system boiler comes with an impressive range of outputs. An attractive, contemporary design, bright easy to use interface and a choice of homeowner controls. The Home boiler range features the highest efficiency levels for the new build market, reducing the complexity of the initial build and offering homeowners an industry-leading heating performance which will help keep energy bills low.

The Home sealed system boiler range is suitable for properties with high hot water demands and can be installed with your choice of Vaillant's range of cylinders for hot water storage.

Home is a light and easy to install boiler and is suitable for all house types. Using a standard DIN pipe layout makes boiler installations quick and easy and patented 4-sided cooling reduces the stress on the aluminium heat exchanger: meaning greater reliability and a lower cost of ownership. The Home boiler range is supported by a choice of guarantees for the new homeowner and Vaillant's UK wide spare parts availability offers further peace of mind.



Industry-leading SAP efficiency



2-year warranty as standard. Option to increase to 5 years



ErP A Rated



Built in the UK



Ultra quiet operation

Home system boilers

Product Features & Benefits

High Performance

- ErP A Rated (93%)
- High SAP efficiency of 89.3%
- Modulation up to 1:5 for increased efficiency
- Fully modulating low NOx burner

Ease of Installation

- Compact case dimensions 740mm x 418mm x 300mm (system and combi)
- Two-way siphonic condense trap for simplicity of commissioning
- Fully modulating high-efficiency Grundfos pump
- Fully compatible with a choice of Vaillant controls
- Low lift weight
- Fittings pack included

Quality and reliability

- High performance, long life aluminium alloy heat exchanger
- Production to ISO 9001
- 2-year guarantee for peace of mind, with the opportunity to extend to 5 years

Flexible siting

- Flue lengths up to 10m horizontal or vertical with standard 100mm flue
- Flue lengths up to 25m horizontal or vertical with optional 125mm flue
- Upward piping possible with optional spacer frame accessory
- No compartment ventilation needed
- Complete range to suit every UK house type

Home system boilers	12kW	15kW	18kW	25kW
Casing dimensions (h w d) (mm)	740 x 418 x 300			
SEDBUK 2009/2012 annual efficiency (%)	89.3			
SEDBUK winter efficiency (%)	90.3			
SEDBUK summer efficiency (%)	79.6			
60/100 Flue length				
Horizontal	10m			
Vertical	10m			
Article number	0010016120	0010016121	0010016122	0010016123

Below is a list of related Vaillant accessories, designed to help maximise your system to its full potential:

Heating controls:

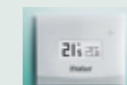
VRT 350
VRT 350f (wireless version)



VRC 470f (wireless version)



vSMART™



Cylinders:
uniSTOR

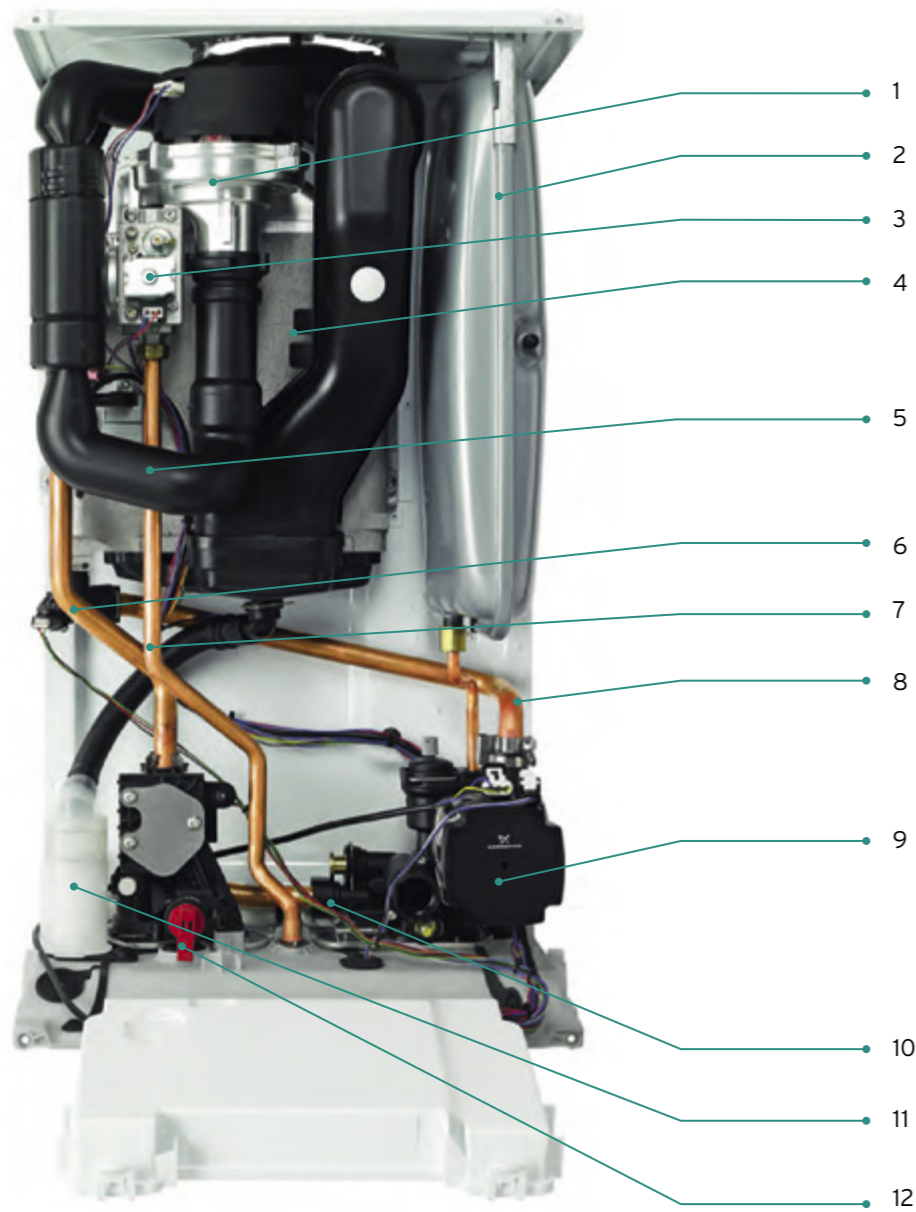


Renewable solutions:
auroTHERM solar systems
auroTHERM air to water heat pump hybrid systems

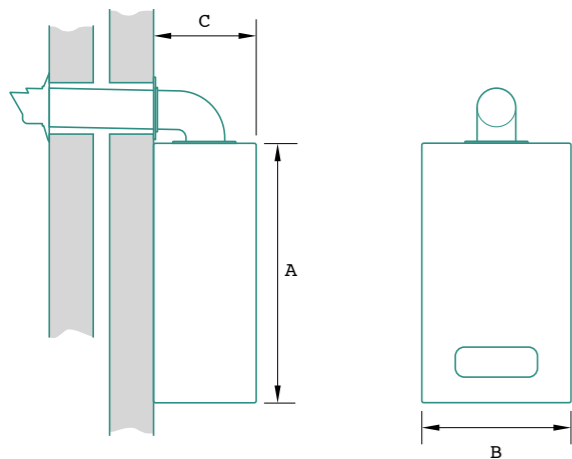


*For full details of our range of compatible controls please see page 18

System boilers - Home 12 / 15 / 18 / 25



- Key:**
1. Fan
 2. Expansion vessel
 3. Gas valve
 4. Heat exchanger
 5. Air intake pipe
 6. Flow pipe
 7. Gas pipe
 8. Return pipe
 9. Internal pump
 10. Diverter valve
 11. Patented 2-way condensate trap
 12. Pressure relief valve



Boiler dimensions:

Height (A)	Width (B)	Depth (C)
740mm	418mm	300mm

Home system boilers	12kW	15kW	18kW	25kW
Casing dimensions (h w d) (mm)	740 x 418 x 300			
Weight (lift) (kg)	31			
Performance				
CH output (kW) Min/Max	4.1/12.2	4.1/15.2	5.1/18.3	6.1/25.4
DHW output (kW)	12	15	18	25
Minimum operating pressure (bar)	0.35			
Min pressure for max flow	1.0			
SEDBUK 2009/2012 annual efficiency (%)	89.3			
SEDBUK winter efficiency (%)	90.3			
SEDBUK summer efficiency (%)	79.6			
ErP Rating	A			
NOx class 5 (natural gas)	Yes			
Construction				
Heat exchanger material	Aluminium			
Burner type	Downward firing			
Fully modulating	Yes			
Integrated hydrobloc	Yes			
Installation				
Suitable for sealed systems	Yes			
Inbuilt condensate trap/siphon	Yes			
Inbuilt frost protection	Yes			
Zero compartment ventilation	Yes			
Pump	Grundfos			
Clearances				
Top (mm)	150			
Side (mm)	0/5*			
Bottom (mm)	150			
Front (mm)	600**			
User Interface				
Diagnostics	Advanced/Intuitive			
User adjustable CH temp control	Yes			
Accessories				
Optional spacing frame	Yes			
Plug-in mechanical timer	Optional			
Aesthetic pipe cover	Yes			
Flues				
Max horizontal 60/100	10m			
Max vertical 60/100	10m			
Max horizontal 80/125	25m			
Max Vertical 80/125	25m			
Optional plume management kit 60/100	Yes			

* See manual for clearance if side panels to be removed to assist future service and maintenance
 ** 5mm if removable panel/door

For access to Vaillant's system design service or for more detailed technical information, please call 01732 878803 or visit www.vaillant.co.uk



Home regular boiler

The Home regular boiler comes with an impressive range of outputs. An attractive, contemporary design, bright easy to use interface and a choice of homeowner controls. The Home boiler range features the highest efficiency levels for the new build market, reducing the complexity of the initial build and offering homeowners an industry-leading heating performance which will help keep energy bills low.

The Home regular boiler range is suitable for properties with high hot water demands and can be installed with your choice of Vaillant's range of cylinders for hot

water storage. Home is a light and easy to install boiler which benefits from being compact in size, making it suitable for cupboard-fit installations. The patented 4-sided cooling reduces stress on the aluminium heat exchanger, meaning longer-term reliability and a lower cost of ownership. The Home boiler range is supported by a choice of guarantees for the new homeowner and Vaillant's UK-wide spare parts availability offers further peace of mind.



Industry-leading SAP efficiency



2-year warranty as standard. Option to increase to 5 years



ErP A Rated



Built in the UK



Ultra quiet operation

Home regular boilers

Product Features & Benefits

High Performance

- ErP A Rated (93%)
- High SAP efficiency of 89.3%
- Modulation up to 1:5 for increased efficiency
- Fully modulating low NOx burner

Ease of Installation

- Cupboard fit - 600mm x 375mm x 280mm (regular boilers)
- Two-way siphonic condense trap for simplicity of commissioning
- Fully modulating high-efficiency Grundfos pump
- Fully compatible with a choice of Vaillant controls
- Low lift weight
- Fittings pack included

Quality and reliability:

- High performance, long life aluminium alloy heat exchanger
- Production to ISO 9001
- 2-year guarantee for peace of mind, with the opportunity to extend to 5 years

Flexible siting:

- Flue lengths up to 10m horizontal or vertical with standard 100mm flue
- Flue lengths up to 25m horizontal or vertical with optional 125mm flue
- Upward piping possible with optional spacer frame accessory
- No compartment ventilation needed
- Complete range to suit every UK house type

Home regular boilers	12kW	15kW	18kW	25kW	30kW
Casing dimensions (h w d) (mm)	600 x 375 x 280				
SEDBUK 2009/2012 annual efficiency (%)	89.3 (30kW - 89.2)				
SEDBUK winter efficiency (%)	90.3 (30kW - 90.2)				
SEDBUK summer efficiency (%)	79.6 (30kW - 79.5)				
60/100 Flue length					
Horizontal	10m				
Vertical	10m				
Article number	0010015894	0010015895	0010015896	0010015897	0010015898

Below is a list of related Vaillant accessories, designed to help maximise your system to its full potential:

Heating controls:

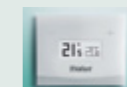
VRT 350
VRT 350f (wireless version)



VRC 470f (wireless version)



vSMART™



Cylinders:
uniSTOR

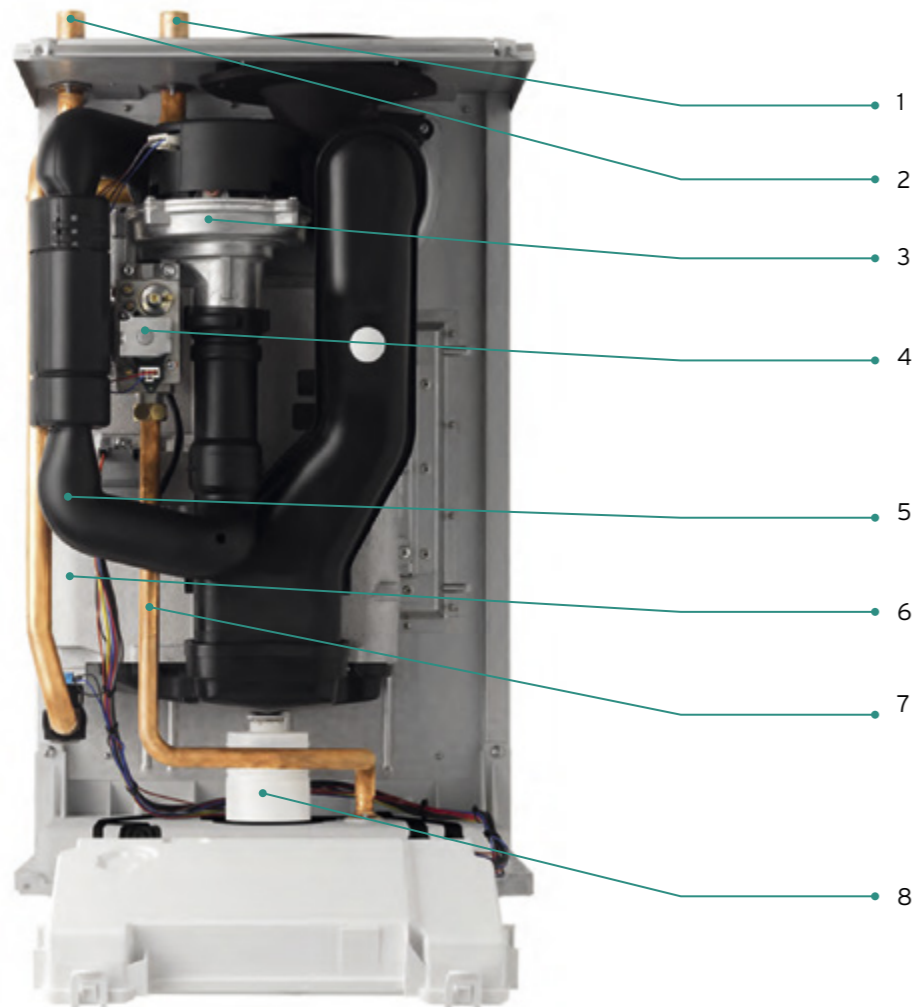


Renewable solutions:
auroTHERM solar systems
auroTHERM air to water heat pump hybrid systems

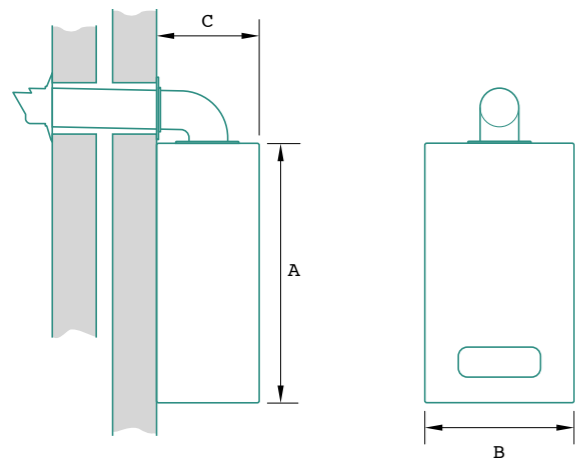


*For full details of our range of compatible controls please see page 18

Regular boilers - Home 12 / 15 / 18 / 25 / 30



- Key:**
1. Flow pipe
 2. Return pipe
 3. Fan
 4. Gas valve
 5. Air intake pipe
 6. Primary heat exchanger
 7. Gas pipe
 8. Patented 2-way condensate trap



Boiler dimensions:

Height (A)	Width (B)	Depth (C)
600mm	375mm	280mm

Home regular boilers	12kW	15kW	18kW	25kW	30kW
Casing dimensions (h w d) (mm)	600 x 375 x 280				
Weight (lift) (kg)	22				
Performance					
CH output (kW) Min/Max	4.5/12.3	4.5/15.2	5.0/18.3	6.1/25.4	7.1/30.5
DHW output (kW)	12	15	18	25	30
Minimum operating pressure (bar)	0.35				
SEDBUK 2009/2012 annual efficiency (%)	89.3	89.3	89.3	89.3	89.2
SEDBUK winter efficiency (%)	90.3	90.3	90.3	90.3	90.2
SEDBUK summer efficiency (%)	79.6	79.6	79.6	79.6	79.5
ErP Rating	A				
NOx class 5 (natural gas)	Yes				
Construction					
Heat exchanger material	Aluminium				
Burner type	Downward firing				
Fully modulating	Yes				
Installation					
Suitable for sealed systems	Yes				
Inbuilt condensate trap/siphon	Yes				
Inbuilt frost protection	Yes				
Zero compartment ventilation	Yes				
Clearances					
Top (mm)	150				
Side (mm)	0/5*				
Bottom (mm)	150				
Front (mm)	600**				
User Interface					
Diagnostics	Advanced/Intuitive				
User adjustable CH temp control	Yes				
Flues					
Max horizontal 60/100	10m				
Max vertical 60/100	10m				
Max horizontal 80/125	25m				
Max Vertical 80/125	25m				
Optional plume management kit 60/100	Yes				

* See manual for clearance if side panels to be removed to assist future service and maintenance
 ** 5mm if removable panel/door

▶ For access to Vaillant's system design service or for more detailed technical information, please call 01732 878803 or visit www.vaillant.co.uk

A choice of intelligent controls

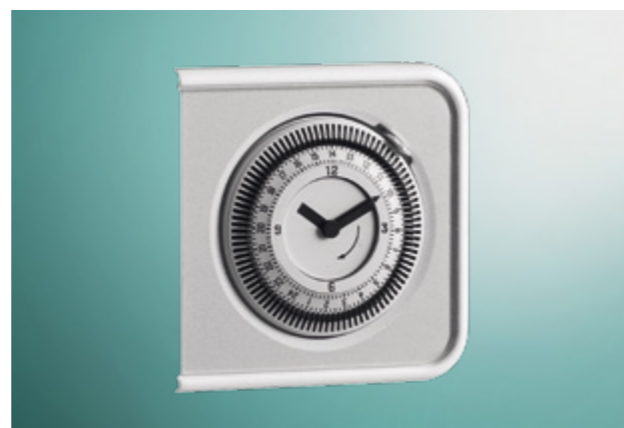


Central heating and domestic hot water controls are key to delivering greater efficiency, providing a comfortable living environment and help to minimise fuel costs.

Designed to work harmoniously with all Vaillant boilers, our controls deliver a greater level of connectivity, ensuring your boiler is working to its peak performance and always maintaining optimum efficiency.

Analogue timer

- Traditional interface for customers to set heating programmes directly at the boiler
- 24 hour central heating timer for use with Vaillant Home combination boilers
- Timer plugs straight into the boiler fascia



For more information about Vaillant's range of controllers please visit www.vaillant.co.uk/installers/products/domestic-boilers/controls-and-accessories

Choice of intelligent controls

VRT 350 wired or VRT 350f wireless load compensating programmable room thermostat

- Enhanced Load Compensating, adding 3% to the SAP efficiency rating
- ErP class 5 control delivering an additional 3% to the ErP rating
- Using our eBUS protocol, the VRT 350 control can fully modulate and adapt the heating appliance to efficiently meet the current room conditions
- Times can be set for each week, day or over a 24 hour period
- Delayed start function comes as standard for improved SAP performance
- Blue backlit display, using proven technology offers outstanding contrast, resulting in clear information, whilst providing a low energy consumption
- Appliance service, fault and maintenance indication is displayed on the screen
- Comes with a wealth of additional functions such as a heating boost, hot water boost, one day away from home mode, one day at home mode etc.
- Automatic adjustment for daylight saving times
- For complete flexibility where wiring is difficult, the wireless version a VRT 350f is available



VRC 470f Wireless weather compensating programmable room thermostat

- Enhanced Weather Compensating, adding 3% to the SAP efficiency rating
- ErP class 6 control delivering an additional 4% to the ErP rating
- Using our eBUS protocol, the VRC 470f control can fully modulate and adapt the heating appliance based on the outside temperature to efficiently meet the current room conditions
- Times can be set for each week, day or over a 24 hour period
- Blue backlit display, using proven technology offers outstanding contrast, resulting in clear information, whilst providing a low energy consumption
- Appliance service, fault and maintenance indication is displayed on the screen
- Comes with a wealth of additional functions such as a heating boost, hot water boost, one day away from home mode, one day at home mode etc.
- Automatic adjustment for daylight saving times





What is Vaillant vSMART™?

vSMART™ is a wireless heating and hot water control and smartphone app, giving homeowners the ability to take control of their heating from anywhere, at any time.

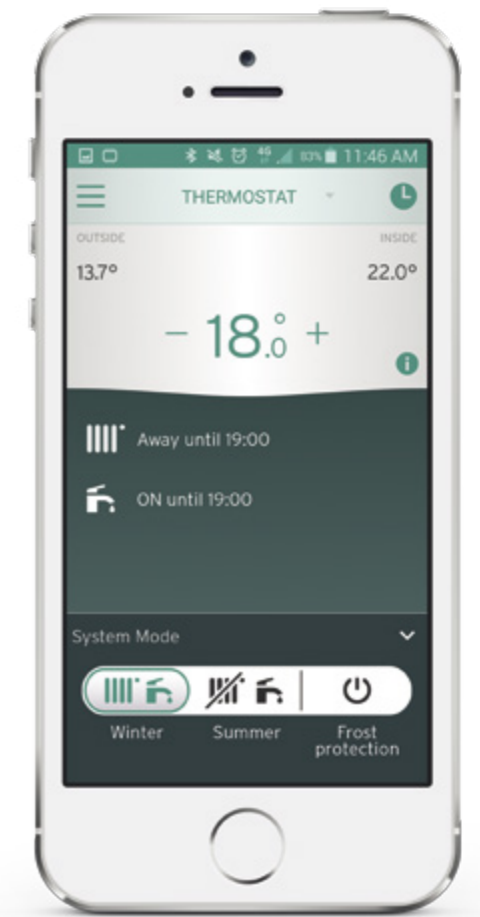
vSMART™ can be installed in as little as 25 minutes. Easy to fit connection from the gateway; wires are fed straight into the boiler, using our intelligent low voltage eBUS connection which requires easily available 0.75mm, 2 core cable.

The vSMART™ room thermostat can then either be wall mounted or free-standing, depending on the homeowners' preference.



vSMART™ App-based weather compensated control

- Easy to use app, for managing your heating and hot water
- Intuitive and simple interface - quick and effortless control of your heating and hot water system
- Electronic paper display - crystal clear display with low energy consumption
- Self-learning - vSMART™ automatically learns and adjusts to the thermal behaviour of your home
- Internet weather compensation - vSMART™ only uses your energy as and when it needs to without the need for an outside temperature sensor. This can result in an efficiency uplift of +3%
- eBUS communication - vSMART™ and Vaillant boilers work harmoniously together
- One heating circuit and DHW management - DHW and central heating control from one device
- Multi-user sharing and multi-home control - you and your family can manage several heating systems for the same or different locations
- Compatible with the entire range of Vaillant System, Regular and Combination boilers
- Energy history - vSMART™ displays your home's temperature & boiler operating times
- Preconfigured profiles - vSMART™ comes with preconfigured profiles for away, night & at home for you and your family's convenience



Self-learning control

vSMART™ learns from its environment. It uses the weather information from the internet and also all the data that has been previously recorded to understand the thermal behaviour of the house. Two weeks after the commissioning and thanks to eBUS communication, vSMART™ is able to tell the boiler when and at which temperature to start at in order to reach the right set-point at the right time.



Nationwide After-sales Service

Here at Vaillant, we invest as much time, energy and effort into getting outstanding service as we do in creating industry-leading heating solutions. So you know when you choose us you will be supported by the best.

Online ErP Labelling Tools

All Vaillant Home boilers are compliant with the European regulation: Energy related Products (ErP). A product label will be supplied with the boiler.

If you need to create a label for a heating system, Vaillant's Online ErP Labelling Calculator is an easy to use tool that has been developed to make it even easier to comply with the regulation.



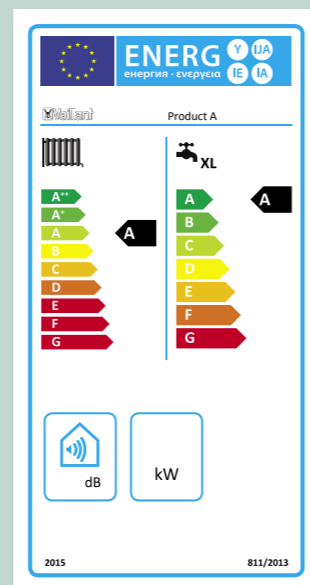
Legislation

ErP: Energy savings with a future

The ErP (Energy related Product) regulations were introduced in the summer of 2015, meaning that all heating and hot water products must meet certain levels of efficiency specified by the EU, in line with the European emission and carbon reduction targets we have pledged to meet by 2020.

All Vaillant boilers have been manufactured to the highest of standards and now feature an upgraded high efficiency pump.

A new energy label is also being introduced in the EU to accompany the ErP regulation. Using a scale of A++ to G, the label will also contain information on other factors such as the appliance's heating performance and noise levels.



Notes section with horizontal lines for writing.

Training Enquiries

For information on training courses and centres in your area:

Telephone: 0845 601 8885

Email: training@vaillant.co.uk

After-sales

For support after your boiler has been installed, whether you would like to book a service or are in need of technical advice, our operators are available 7 days a week, 364 days a year.

Telephone: 0330 100 3143

Sales Enquiries

For installers wishing to purchase Vaillant products, this is possible either over the counter or as a next day service at most plumbing and heating merchants in the UK.

To find contact details for your nearest Vaillant sales representative:

Telephone: 0845 602 0262

Technical Enquiries

For technical assistance:

Telephone: 01732 878803

Email: technical@vaillant.co.uk

Vaillant Group UK Ltd.

Nottingham Road, Belper, Derbyshire DE56 1JT

www.vaillant.co.uk info@vaillant.co.uk

