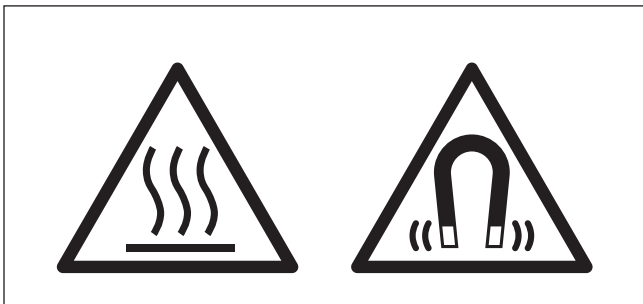
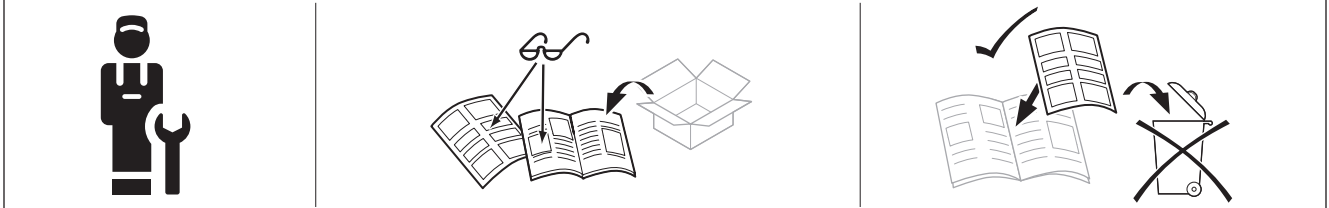
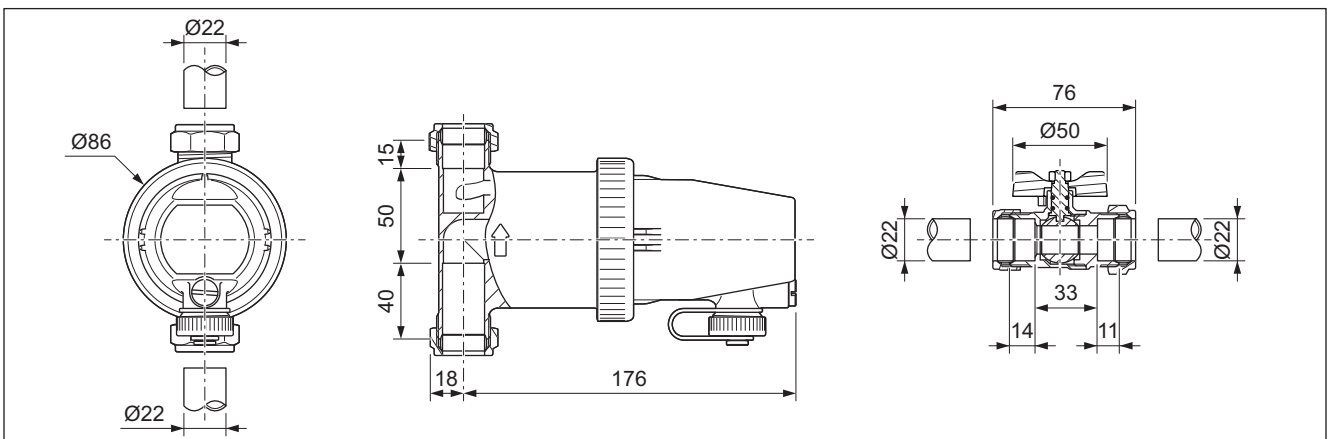
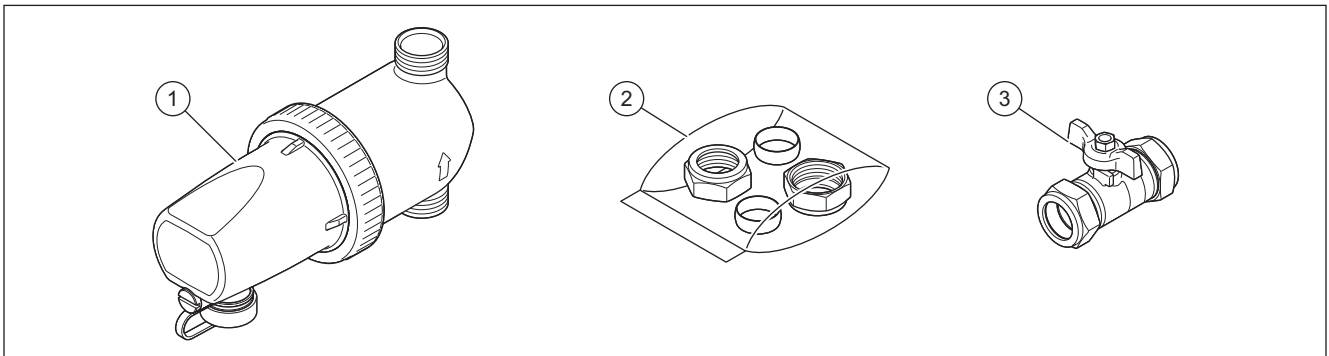
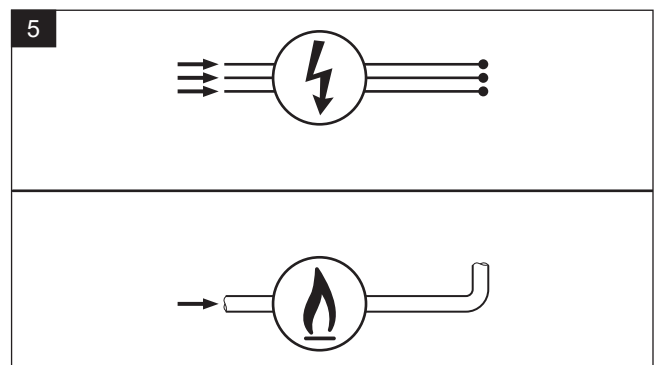
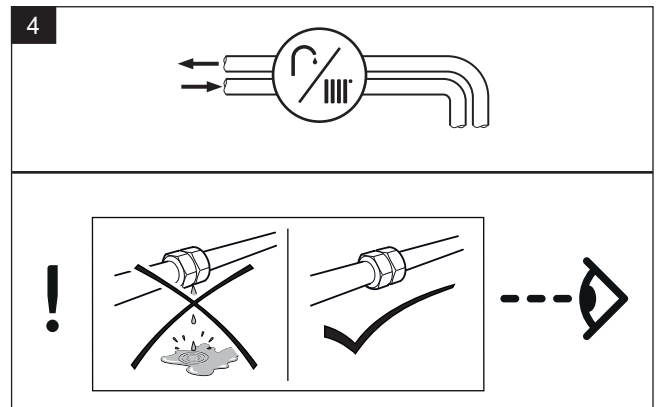
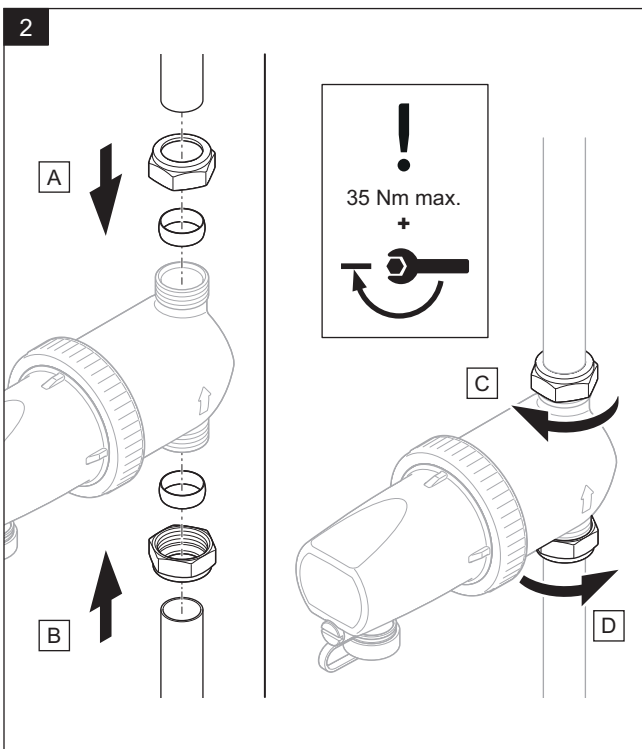
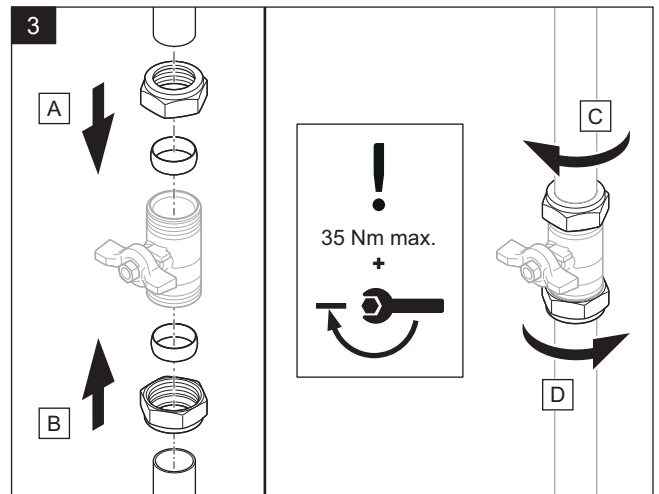
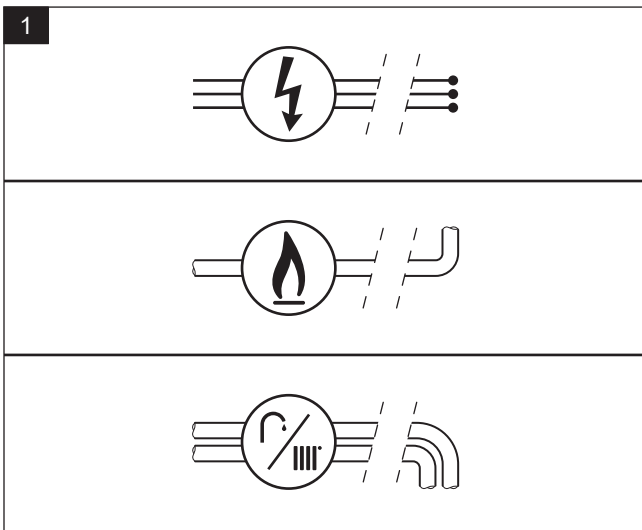
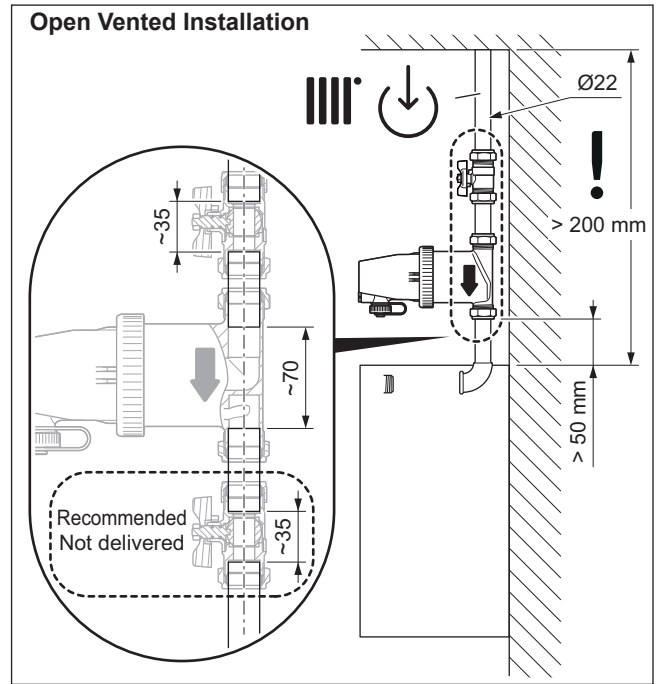
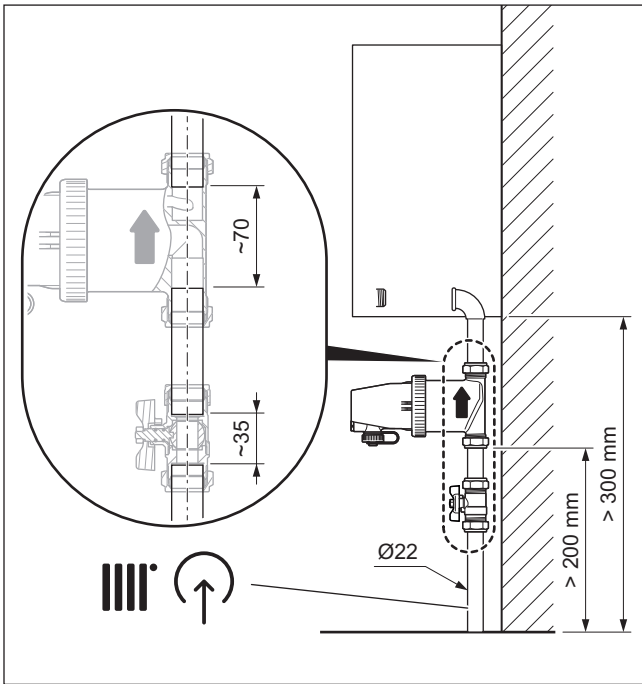


0010035819

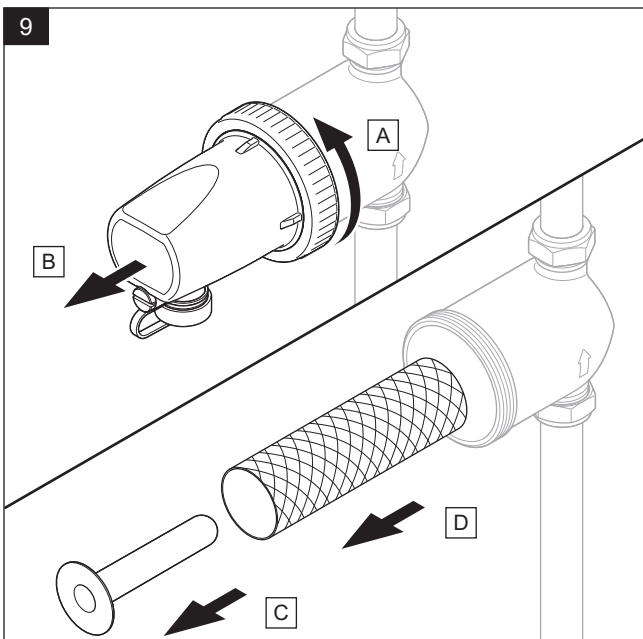
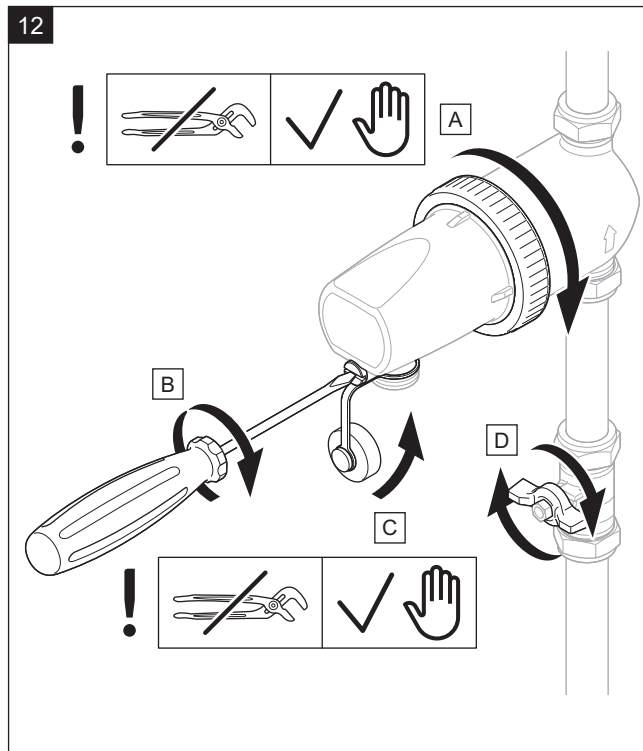
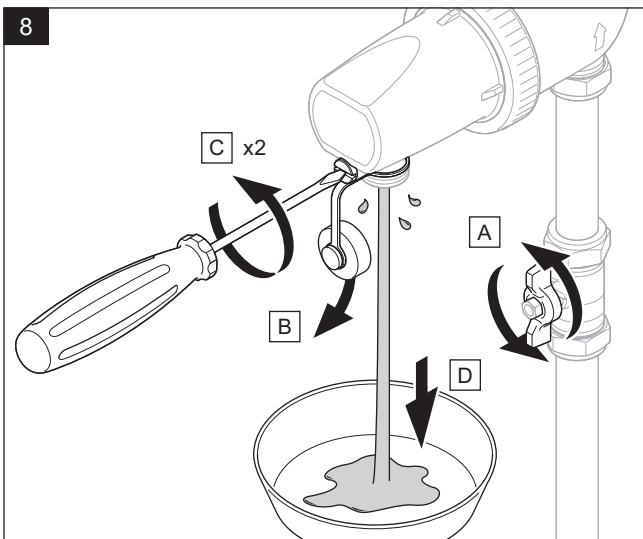
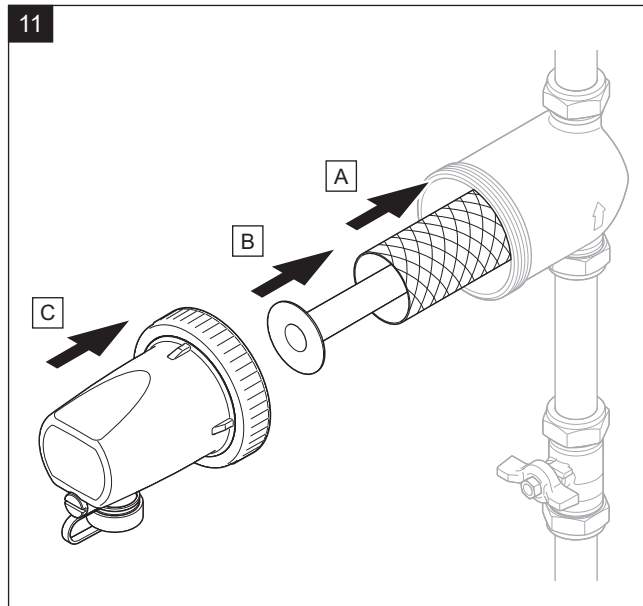
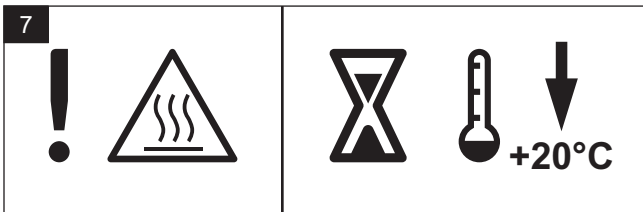
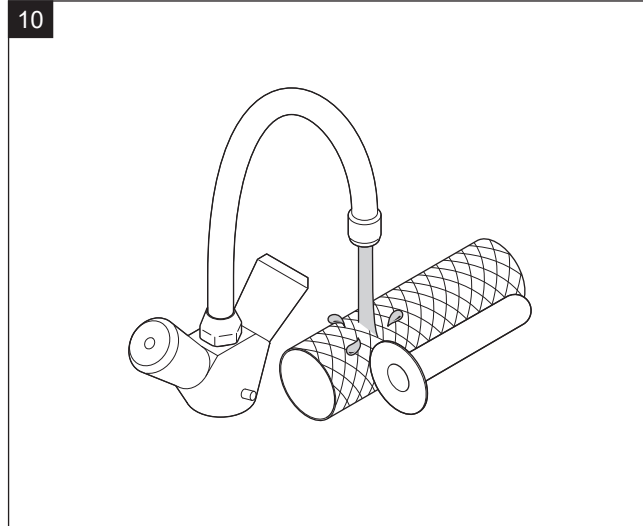
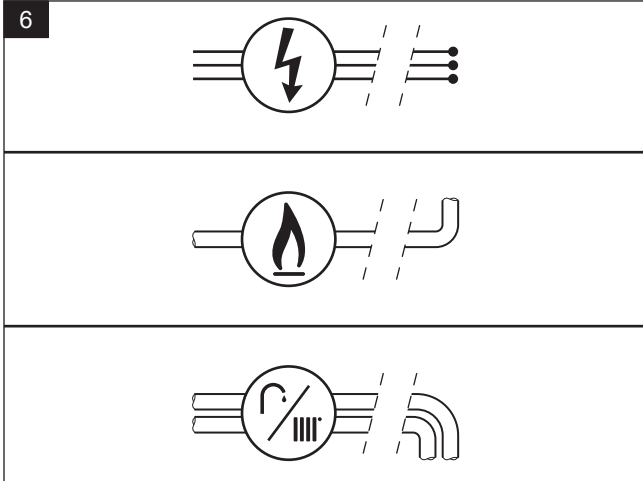


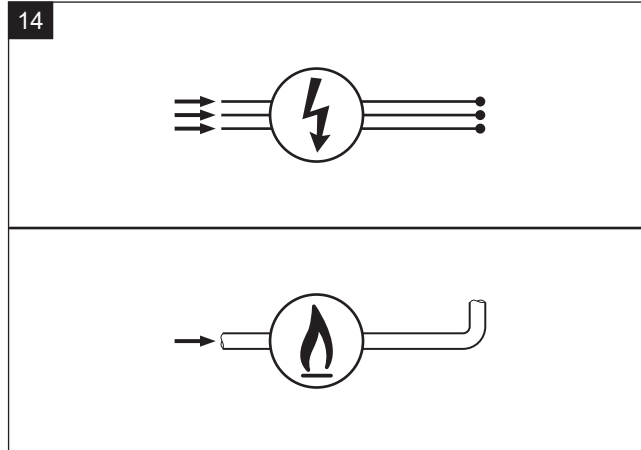
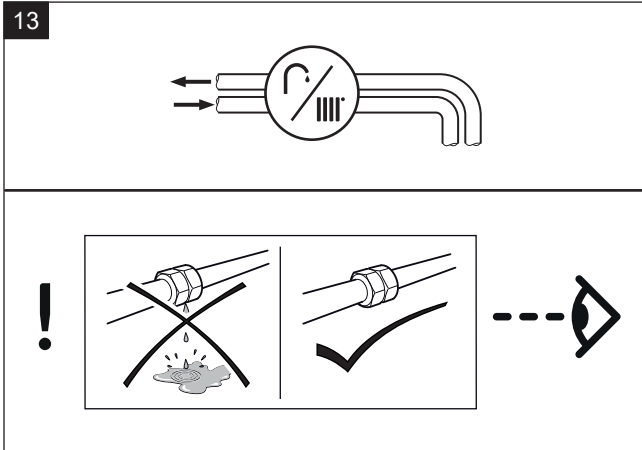
T <sub>min</sub> / T <sub>max</sub>	°C	0 / 90
P <sub>max</sub>	bar	3
	-	-
	-	-





1X 365

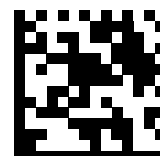




Manufacturer

**Vaillant GmbH**

Berghauser Str.40 ■ D-42859 Remscheid  
 Telefon 021 91 18-0 ■ Telefax 021 91 18-28 10  
 info@vaillant.de ■ www.vaillant.de



0020302585\_00 ■ 02/2020 ■ Subject to change