



ecoTEC plus 600 series

High efficiency system boiler



Product information



model shown ecoTEC plus 838



vallantuk
vallantuk
vallantuk



■ Heating ■ Hot water ■ Renewables

Because  **Vaillant** thinks ahead.

Vaillant and vSMART are registered trademarks of Vaillant GmbH





The ecoTEC plus 600 series offers quality, reliability and efficiency - the very best in home heating.

Features and benefits

- Available in 12kW, 15kW, 18kW, 24kW, 30kW and 37kW outputs
- Highly efficient and economical to run with up to 89.4% efficiency rating
- Contoured case design with drop down flap to give a stylish appearance in any home
- Vaillant are the first manufacturer of heating systems with Quiet Mark accreditation
- Compact dimensions
- Engineered in Germany and manufactured in the UK
- Simple and easy to use built in control panel
- Compatible with Vaillant's complete range of intelligent controls including the new vSMART™



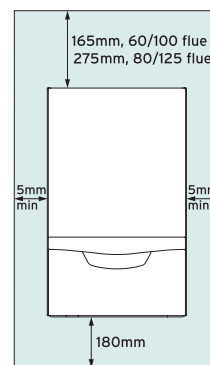
Useful information

- Please allow a clearance of 165mm for a 60/100 flue or 275mm for a 80/125 flue
- The installation of a Vaillant ecoTEC plus boiler typically takes between 1-2 days, however some time should be allocated for systems where radiators and pipe work need replacing

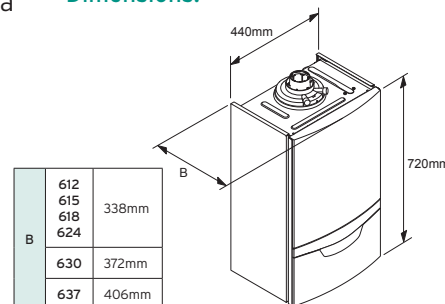
A system boiler provides central heating and hot water via a storage cylinder, which is filled from the mains and often housed in an airing cupboard.

The ecoTEC plus range of system boilers is available in a wide range of output models including 12kW, 15kW, 18kW, 24kW, 30kW and 37kW, meaning that there is a suitable model for almost any home. The stylish design and small dimensions also make it a perfect fit with any home.

Clearances:



Dimensions:



Technical specification

ecoTEC plus 600 series							
	Unit	612	615	618	624	630	637
Boiler dimensions (WxHxD)	mm	440x720x338			440x720x372		440x720x406
Weight	kg	35			37	38	43
Nominal heat output range of central heating at 80°C flow/60°C return	kW	3.0 - 12.2	3.0 - 15.4	3.8 - 18.5 5.0 - 18.5 (LPG)	5.2 - 24.4	5.8 - 30.4	6.4 - 37.6
Maximum DHW output	kW	12.2	15.4	18.5	24.4	30.4	37.6
Maximum heat input	kW	12.4	15.5	18.6	24.7	30.9	38.1
Minimum heat input	kW	3.2		4	5.5	6.2	6.8
Minimum heat output with G31 (LPG)	kW	-	-	5.3	-	9.0	-
Heat output setting range	kW	3 - 12	3 - 15	4 - 18	5 - 24	6 - 30	6 - 37
Maximum flow temperature	°C	85					
SAP seasonal efficiency 2009 (PCDB)	%	89.0	89.1	89.3	89.4		89.2
ErP rating		A					
LPG model available		-	-	Yes	-	Yes	-
Inbuilt frost protection		Yes					