

Heating Hot water Renewables

# ecoTEC plus

Combination boiler 25, 32, 35 and 38kW



10  
Year  
Guarantee

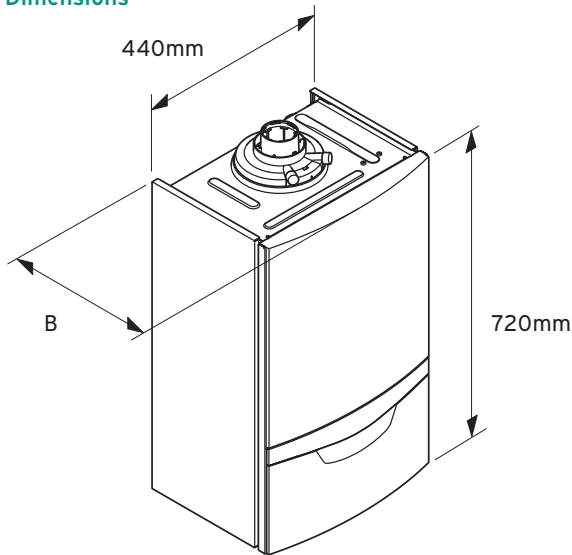
## Key features and benefits

- 10 year guarantee available when registered on Vaillant Advance and installed with our Boiler Protection Kit
- Boiler Plus compliant with Vaillant controls - install with vSMART or VRC 700 for smart weather compensated system
- Premium quality components including brass diverter valve, ensuring highest reliability and performance
- Wide modulation of up to 1:6 - adapts perfectly to all systems in every situation
- Patented stainless steel main and secondary heat exchanger providing superior heat transfer and highly efficient performance
- Awarded Quiet Mark accreditation - one of quietest boilers in the market, designed for a peaceful home
- Easy installation and maintenance - accessible layout allows all components to be replaced from the boiler front

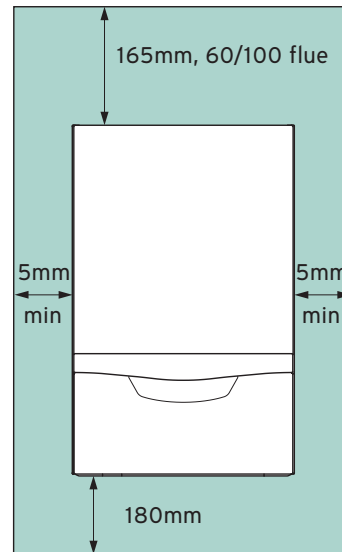


Comfort for your home

## Dimensions



## Clearances



Model	Dimension B
ecoTEC plus 825, 832 and 832 LPG	338
ecoTEC plus 835	372
ecoTEC plus 838	406

NOTE: all measurements are in mm

Minimum clearances	Unit	ecoTEC plus 825, 832, 832 LPG, 835 and 838
Side left and right	mm	5
Top	mm	165
Top (if using rear flue)	mm	-
Below	mm	180
Front	mm	500

Technical data	Unit of measure	ecoTEC plus 825	ecoTEC plus 832	ecoTEC plus 832 LPG	ecoTEC plus 835	ecoTEC plus 838
<b>General</b>						
Article number		0010021823	0010021824	0010021825	0010021822	0010021826
Boiler dimensions (HxWxD)	mm	720 x 440 x 338			720 x 440 x 372	720 x 440 x 406
<b>Heating</b>						
Nominal heat output range at 50/30°C (Condensing mode)	kW	4.1 - 20.8	5.8 - 26.4	6.5 - 25.5	6.5 - 32.8	7.1 - 30.9
Nominal heat output range at 80/60°C (Non condensing mode)	kW	3.8 - 19.3	5.2 - 24.4	6.0 - 24.4	5.8 - 30.4	6.5 - 28.6
Maximum flow temperature	°C	85				
Flow temperature range	°C	30 - 80				
Flow temperature factory setting	°C	75				
Approximate condensate volume at 50/30°C	litres/hr	2.0	2.5		3.1	2.9
<b>Domestic Hot Water</b>						
Domestic hot water flow rate (at $\Delta t = 35K$ )	l/min	10.5	13.0		14.3	15.9
Domestic hot water flow rate (at $\Delta t = 45K$ )*	l/min	8.8	10.9		11.9	13.2
<b>Mechanical</b>						
Boiler lift weight (Dry boiler)	kg	36.0	37.0		38.0	43.0
Maximum horizontal flue length 60/100	m	12		5.5		
<b>Performance</b>						
NOx (En 15502-2-1)	mg/kWh	32	35	55	34	29
ErP efficiency (Heating / DHW)	A, A/A, A+	A / A				
ErP efficiency	%	94				
ErP decibel rating (sound power)	dBa	47			45	46

\*Achieved via fitment of a flow restrictor

**Vaillant Group UK Ltd.**  
 Nottingham Road, Belper, Derbyshire DE56 1JT  
 Telephone 0330 678 0878  
[www.vaillant.co.uk](http://www.vaillant.co.uk)  
[info@vaillant.co.uk](mailto:info@vaillant.co.uk)