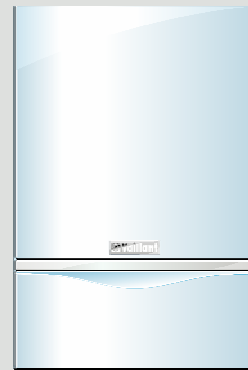


Spare part catalogue

GB 01/2007



Wall-hung boilers
Storage actoSTOR

ecoTEC plus 937
VIH CL

VUI 376/3-5
VIH CL 15 S



Content

General view of sheet	ecoTEC plus 937, VUI 376/3-5	Page 3
04 Burner	ecoTEC plus 937, VUI 376/3-5	Page 4
06 Heat exchanger	ecoTEC plus 937, VUI 376/3-5	Page 6
07 Casing parts (VUI)	ecoTEC plus 937, VUI 376/3-5	Page 8
07a Casing parts (VIH)	VIH CL 15 S	Page 10
08 Connection parts (Hydroblock VUI)	ecoTEC plus 937, VUI 376/3-5	Page 12
08a Connection parts (VUI)	ecoTEC plus 937, VUI 376/3-5	Page 14
08b Connection parts (VIH)	VIH CL 15 S	Page 16
08c Connection parts (Connection appliance VIH)	VIH CL 15 S	Page 18
08d Connection parts (Acc. VUI)	ecoTEC plus 937, VUI 376/3-5	Page 20
12 Control box	ecoTEC plus 937, VUI 376/3-5	Page 22
Notes		Page 24

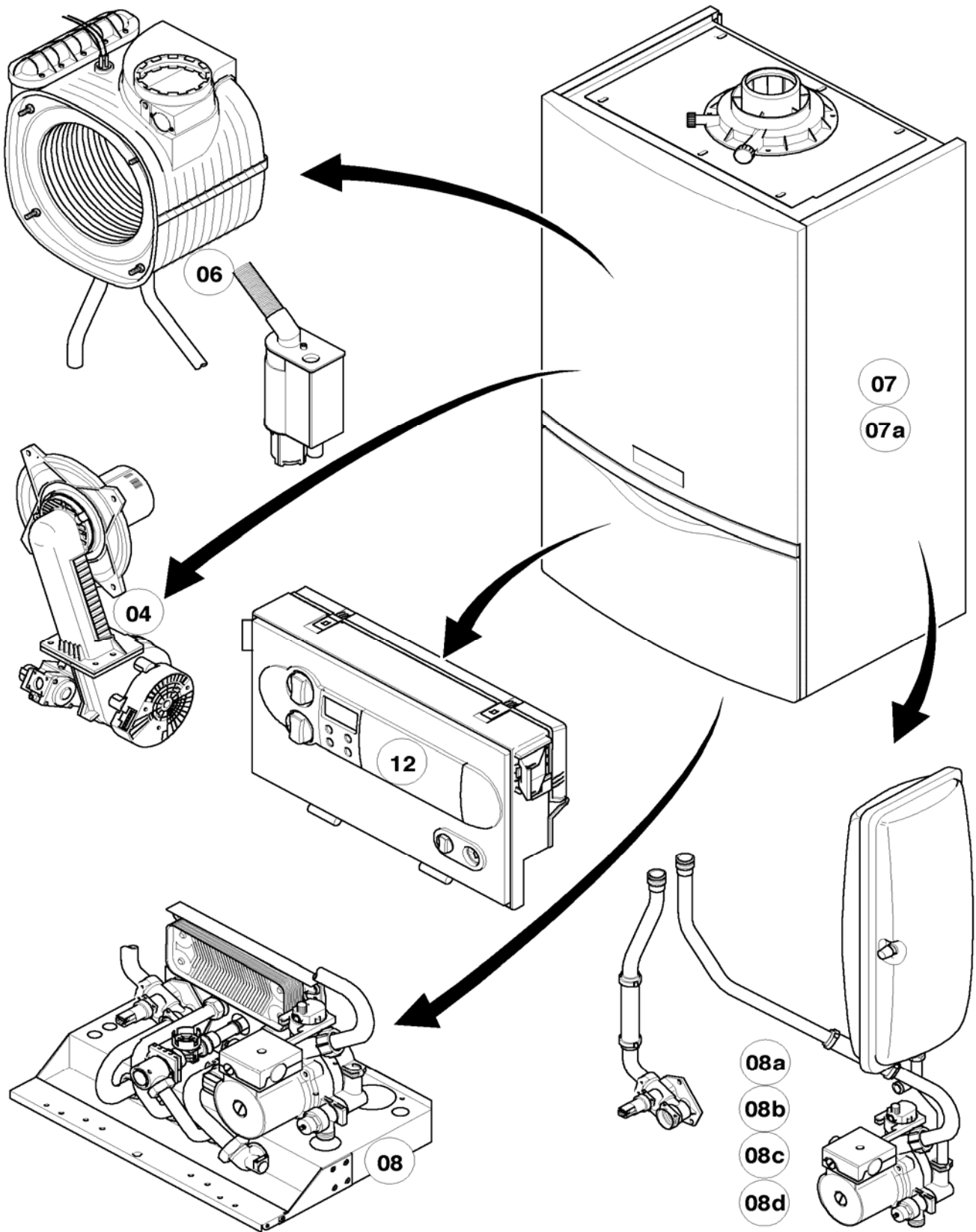
In order to maintain the safe and efficient operation of this appliance, only genuine Vaillant spare parts must be used.

Subject to alteration !

Attention: Please take the gross price from the valid price list !

General view of sheet

ecoTEC plus 937, VUI 376/3-5

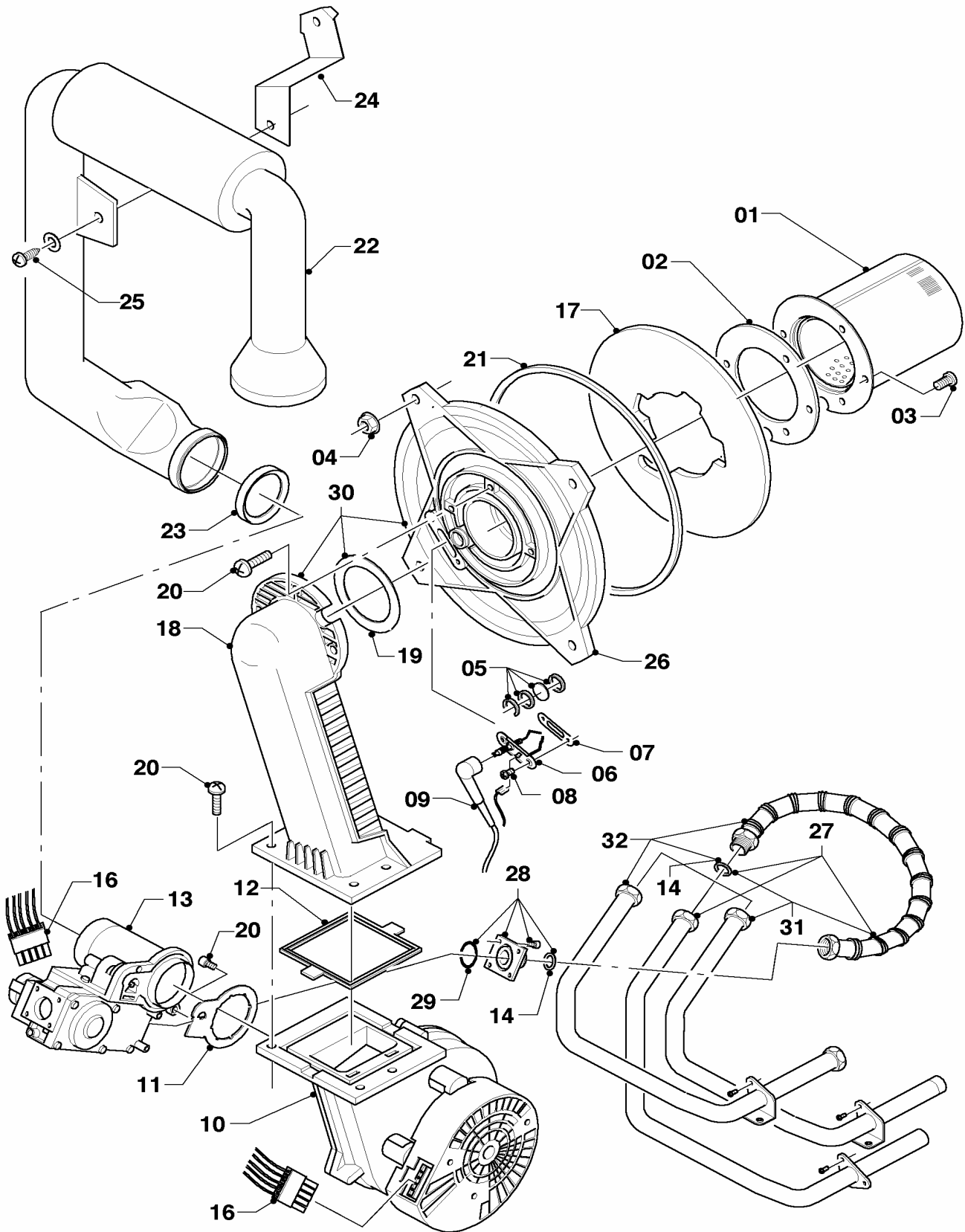


02 - 00 - 077.02

Subject to alteration !
Attention: Please take the gross price from the valid price list !

04 Burner

ecoTEC plus 937, VUI 376/3-5



02 - 04 - 038.03

04 Burner

ecoTEC plus 937, VUI 376/3-5

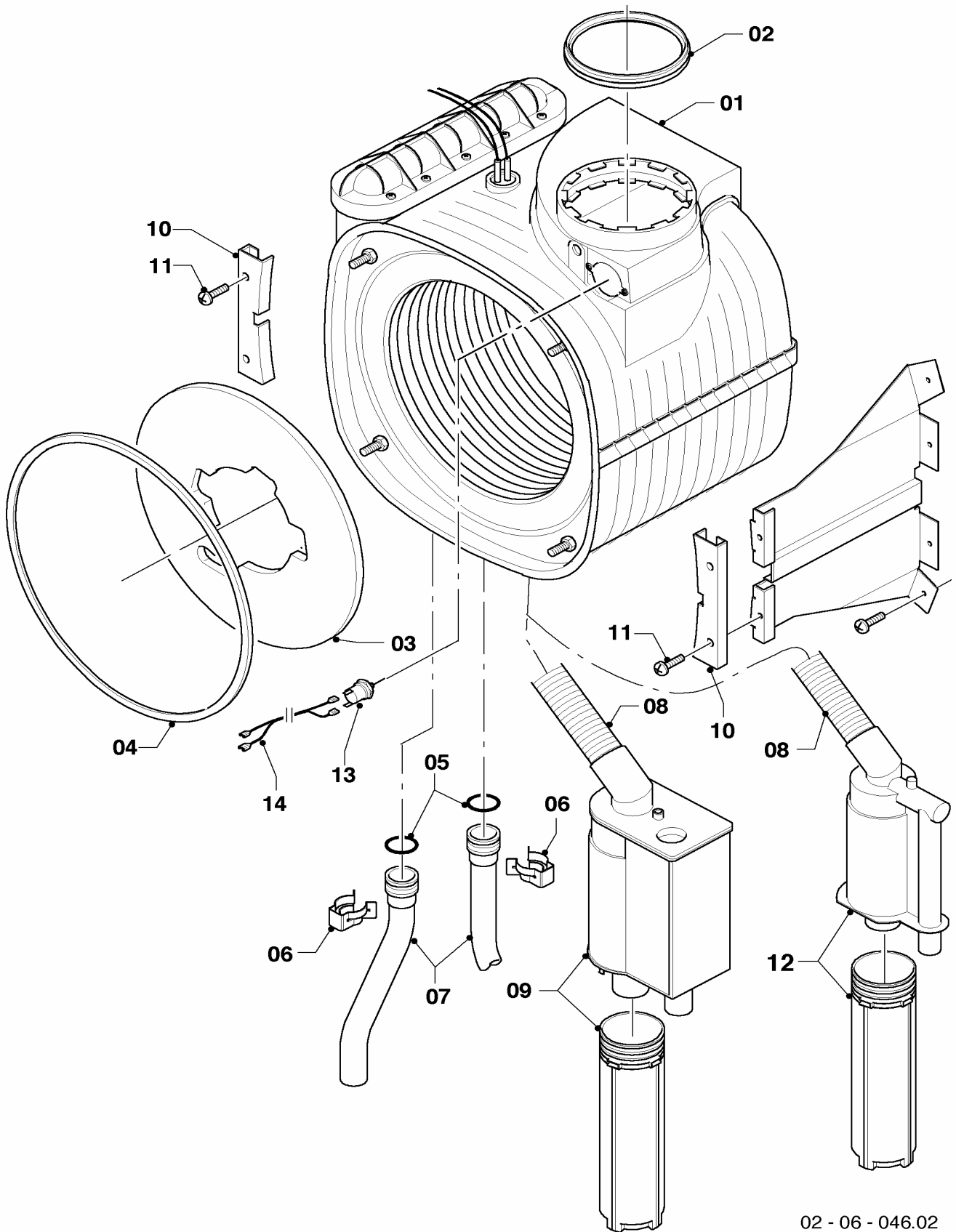
Pos.	Art.-No	Part	Type, note
		02-04-038	
00	0020010641	conversion set	H -> P (not shown)
00	0020010642	conversion set	P -> H (not shown)
01	050430	burner	with parts 02, 03
02	981103	sealing ring	
03	105900	screw (set of 10)	
04	0020026537	nut M6 (set of 5)	
05	161245	inspection glass	
06	090709	ignition/monitoring electrode	
07	980961	gasket electrode	
08	118883	pan head screw ISO 7045	
09	193590	ignition cable	
10	193593	fan	with parts 11, 12
11	981104	packing ring	
12	193594	packing ring	
13	053500	gas section	with parts 11, 14, 21
14	981142	packing ring (set of 10)	
16	0020025036	harness	
17	193595	insulation	with parts 02, 03
18	-	-	not available as spare part, see pos. 30
19	981107	packing ring	
20	193597	screw (set of 10)	
21	0020038679	sealing gasket	
22	0020025039	air inlet duct	with part 23
23	981111	packing ring	
24	103405	support	
25	235756	tapping screw	
26	-	-	not available as spare part, see pos. 30
27	-	-	not necessary
28	0020010868	adaptor piece (gas valve)	
29	982319	seal, o-ring	
30	0020010867	flange (set)	with parts 02 - 05, 07, 08, 12, 14, 17 - 19, 20, 21, 26
31	0020046863	tube	with part 28
32	-	-	not necessary

Subject to alteration !

Attention: Please take the gross price from the valid price list !

06 Heat exchanger

ecoTEC plus 937, VUI 376/3-5



02 - 06 - 046.02

06 Heat exchanger

ecoTEC plus 937, VUI 376/3-5

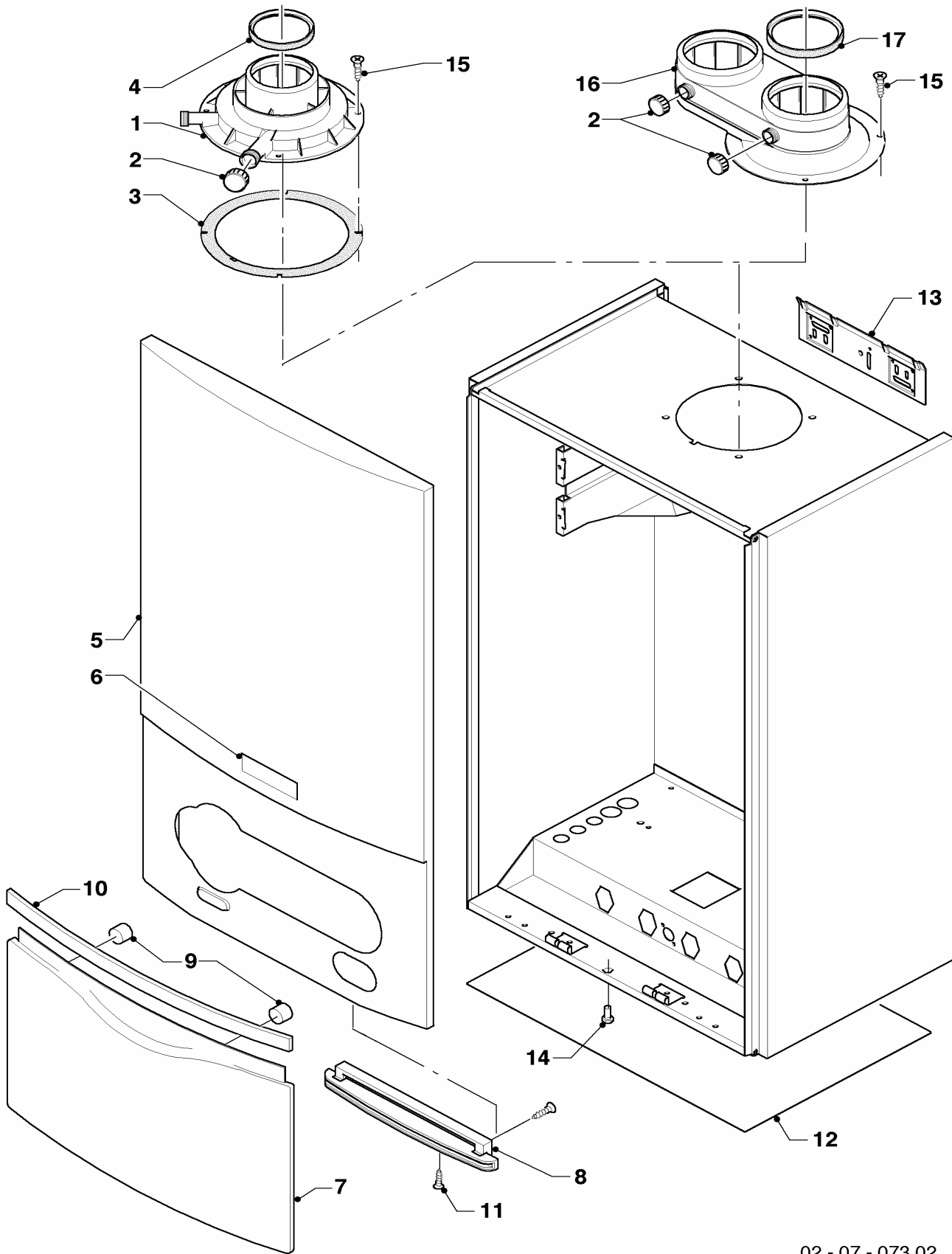
Pos.	Art.-No	Part	Type, note
		02-06-046	
01	0020025040	heat exchanger	with parts 02 - 06
02	981227	packing ring	
03	193595	insulation	
04	0020038679	sealing gasket	
05	103415	packing ring (set of 10)	
06	103417	clip (set of 10)	
07	-	-	see main component 08a
08	-	-	not available as spare part, see pos. 09
09	180985	siphonic condensate trap	with part 08
10	180989	support (set of 2)	with part 11
11	178968	screw (set of 10)	
12	-	-	not necessary
13	-	-	not necessary
14	-	-	not necessary

Subject to alteration !

Attention: Please take the gross price from the valid price list !

07 Casing parts (VUI)

ecoTEC plus 937, VUI 376/3-5



02 - 07 - 073.02

07 Casing parts (VUI)

ecoTEC plus 937, VUI 376/3-5

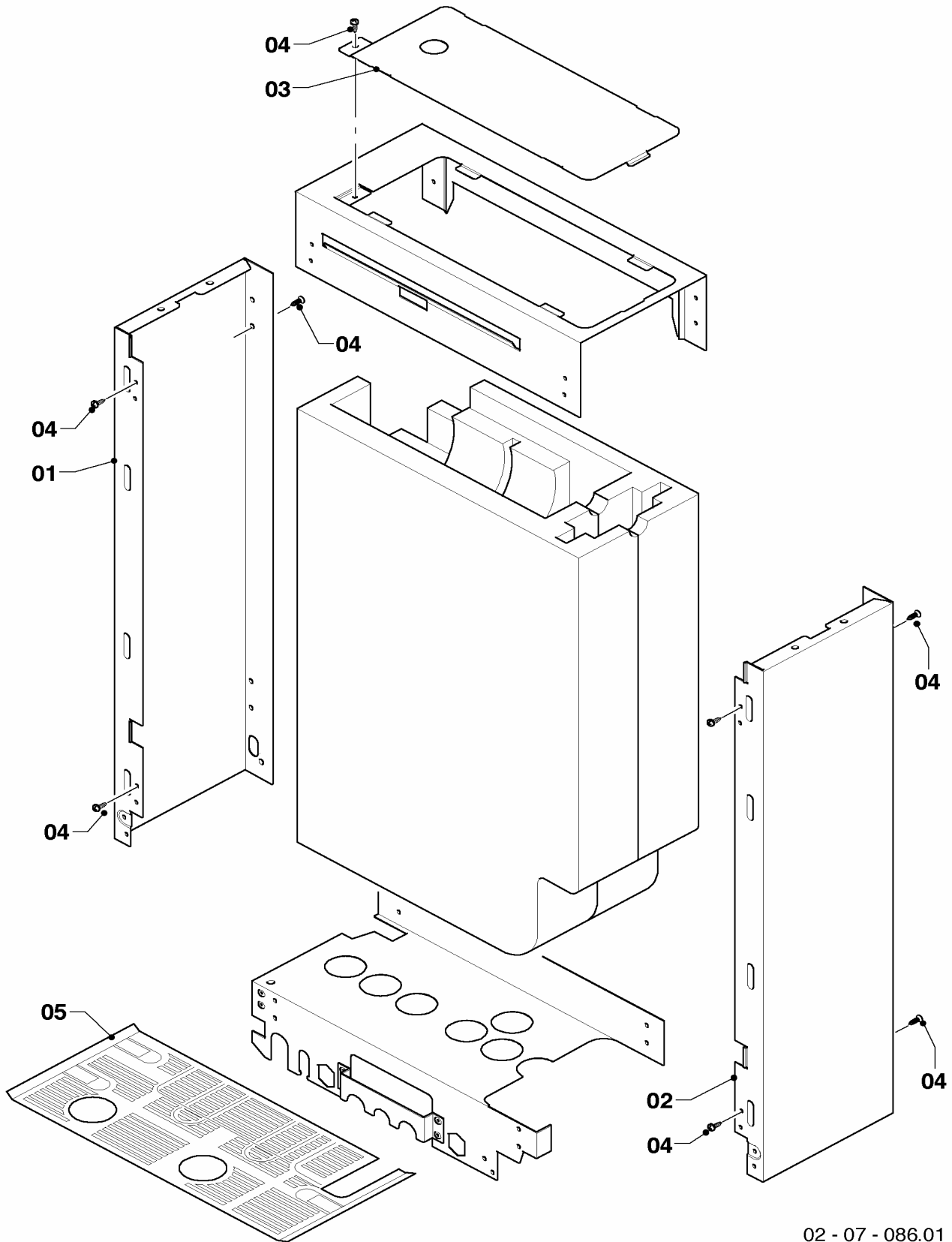
Pos.	Art.-No	Part	Type, note
		02-07-073	
01	180932	flue adapter 60/100	with parts 02, 03, 04
02	147392	cap (set of 5)	
03	981232	packing ring	
04	981233	packing ring	
05	180937	covering	with parts 06, 07, 08, 09, 10, 11
06	118096	badge	
07	180940	cover	with parts 09, 10, 11
08	180944	hinge	with part 11
09	180941	magnet (set of 2)	
10	180942	handle (white)	
11	193538	screw (set of 10)	
12	180988	cover	
13	180987	support	
14	139231	screw	
15	500046	screw	
16	-	-	not necessary
17	-	-	not necessary

Subject to alteration !

Attention: Please take the gross price from the valid price list !

07a Casing parts (VIH)

VIH CL 15 S



02 - 07 - 086.01

07a Casing parts (VIH)

VIH CL 15 S

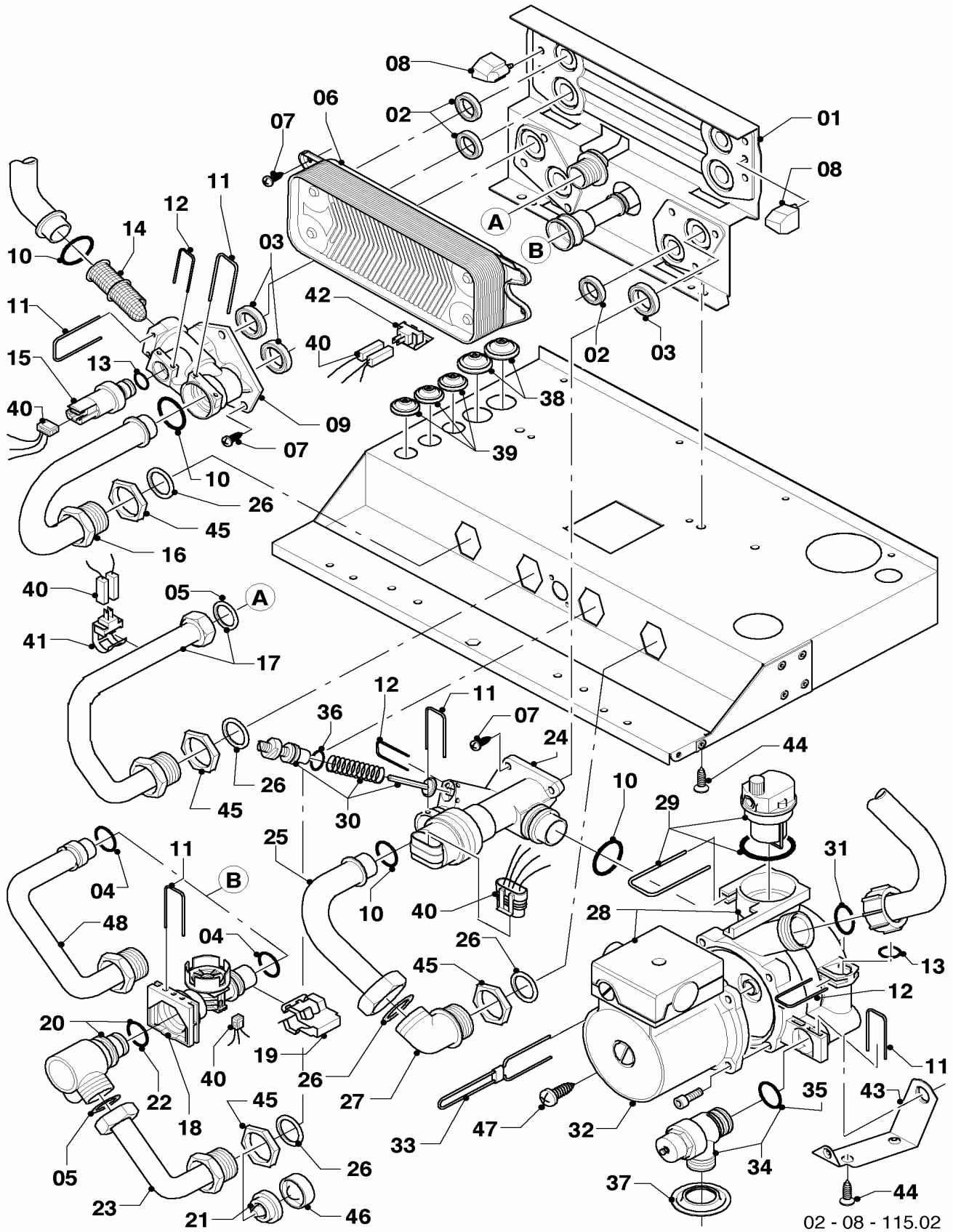
Pos.	Art.-No	Part	Type, note
		02-07-086	
01	0020039777	side panel	
02	0020039778	side panel	
03	0020039779	cover	
04	235715	tapping screw ISO 7049	
05	0020039780	cover	

Subject to alteration !

Attention: Please take the gross price from the valid price list !

08 Connection parts (Hydroblock VUI)

ecoTEC plus 937, VUI 376/3-5



08 Connection parts (Hydroblock VUI)

ecoTEC plus 937, VUI 376/3-5

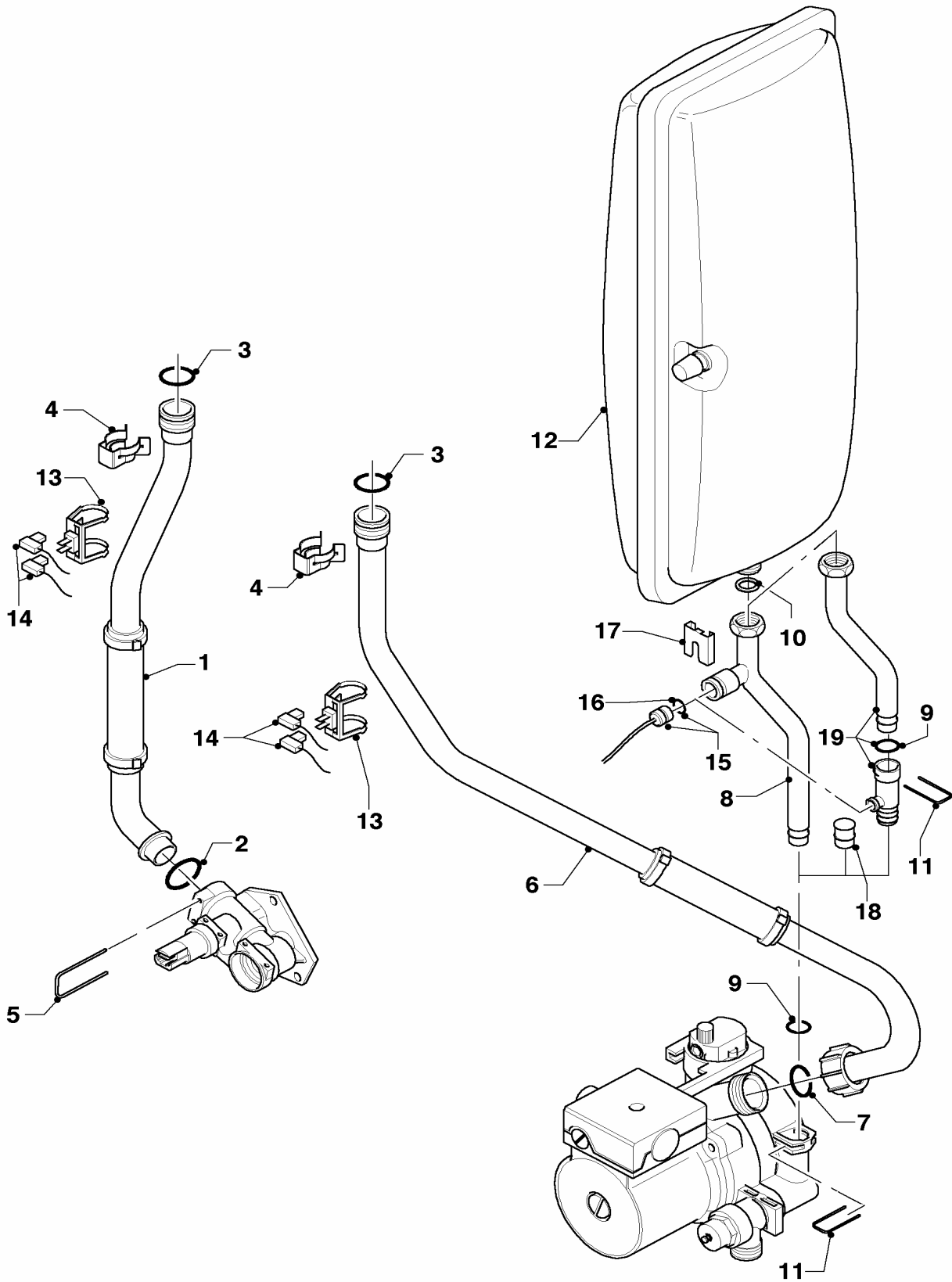
Pos.	Art.-No	Part	Type, note
		02-08-115	
01	178965	support	with parts 02, 03, 04, 05, 07, 08, 10, 19, 22, 26, 44
02	178969	packing ring (set of 10)	
03	193535	packing ring (set of 10)	
04	178991	packing ring (set of 10)	
05	981142	packing ring (set of 10)	
06	0020025041	heat exchanger DHW (36 plates)	with parts 02, 07
07	178967	screw (set of 10)	
08	193536	guide (set of 2)	
09	179031	connection piece	with parts 03, 07, 10, 11, 12, 13, 14
10	193537	packing ring (set of 10)	
11	178992	clip (set of 10)	
12	154150	clip	
13	178993	packing ring (set of 10)	
14	179030	filter	with parts 10, 11
15	253595	sensor, CH pressure	with parts 12, 13
16	179033	pipe	with parts 10, 26
17	179034	pipe	with part 26
18	-	-	not necessary
19	178966	clip	
20	-	-	not necessary
21	-	-	not necessary
22	-	-	not necessary
23	-	-	not necessary
24	178978	diverter valve	with parts 02, 03, 07, 10, 11
25	179036	pipe	with parts 10, 26
26	981140	packing ring (set of 10)	
27	179035	connection piece	with part 26
28	0020025042	pump	with parts 02, 03, 10, 11, 13, 29, 31, 34, 47
29	104521	automatic air vent	
30	178980	bypass	with part 12
31	193539	packing ring (set of 10)	
32	-	-	not available as spare part
33	178981	clip	
34	178985	pressure relief valve (3 bar)	with part 11
35	-	-	not available as spare part, see pos. 34
36	981165	packing ring (set of 10)	
37	980765	grommet	
38	509120	packing ring (set of 10)	
39	509121	packing ring (set of 10)	
40	0020018072	harness	
41	103429	NTC-sensor (DHW outlet pipe)	flow
42	103430	NTC-sensor (DHW heat exchanger)	heat exchanger
43	178984	support	
44	235715	tapping screw ISO 7049	
45	193598	nut (set of 4)	
46	074514	filter	
47	235756	tapping screw	
48	0020040565	pipe	with parts 04, 26

Subject to alteration !

Attention: Please take the gross price from the valid price list !

08a Connection parts (VUI)

ecoTEC plus 937, VUI 376/3-5



02 - 08 - 120.02

08a Connection parts (VUI)

ecoTEC plus 937, VUI 376/3-5

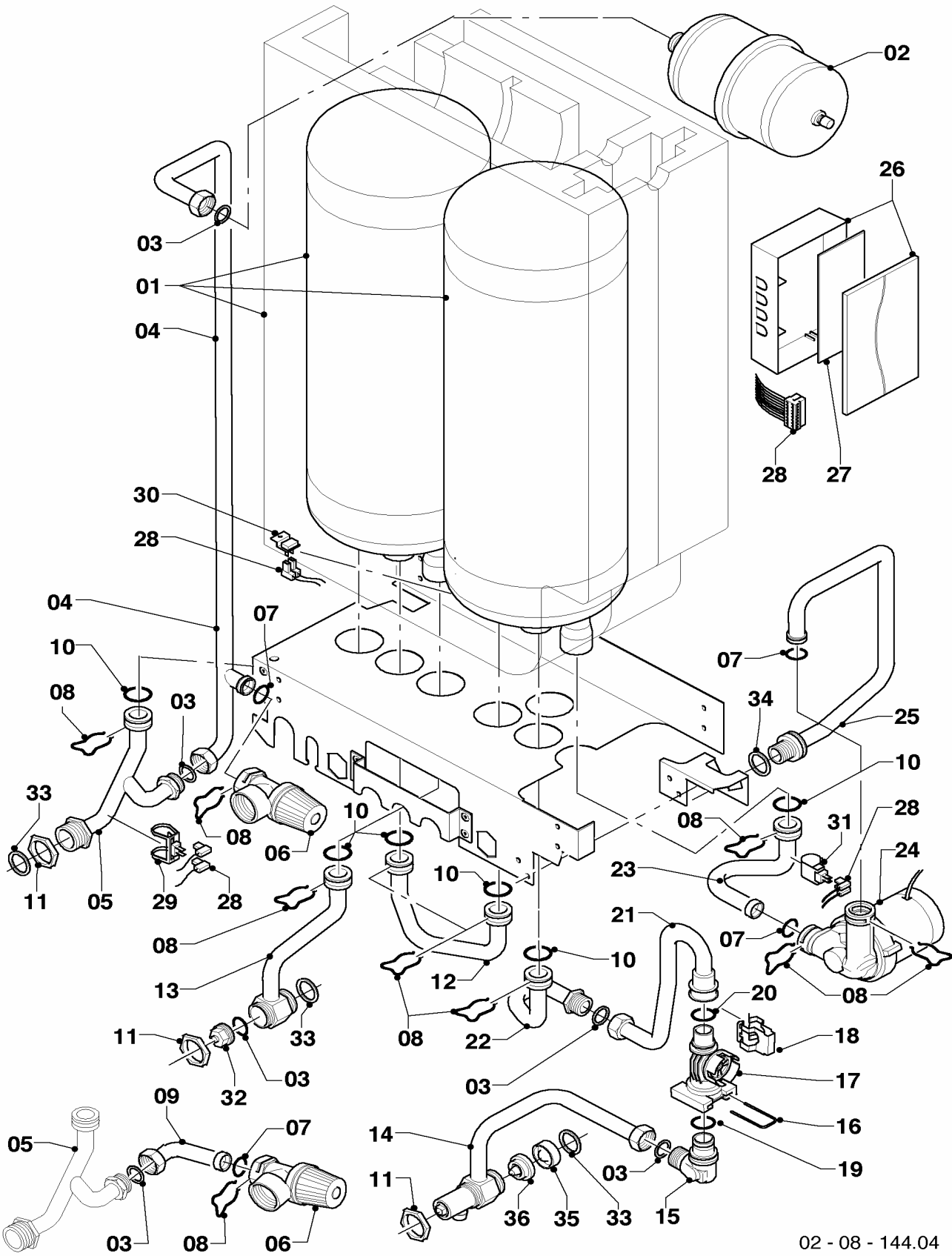
Pos.	Art.-No	Part	Type, note
		02-08-120	
01	180947	connection tube	with parts 02, 03
02	193537	packing ring (set of 10)	
03	103415	packing ring (set of 10)	
04	103417	clip (set of 10)	
05	178992	clip (set of 10)	
06	180948	connection tube	with parts 03, 07
07	193539	packing ring (set of 10)	
08	-	-	not necessary
09	178993	packing ring (set of 10)	
10	981149	packing ring (set of 10)	
11	154150	clip	
12	181051	expansion vessel	10 Liter
13	193592	NTC sensor (CH flow/CH return)	
14	0020025036	harness	
15	180982	pressure gauge	
16	981155	packing ring (set of 10)	
17	085751	pressure gauge clip	
18	-	-	not necessary
19	0020025045	connection tube	with parts 10, 11, 16, 17

Subject to alteration !

Attention: Please take the gross price from the valid price list !

08b Connection parts (VIH)

VIH CL 15 S



02 - 08 - 144.04

08b Connection parts (VIH)

VIH CL 15 S

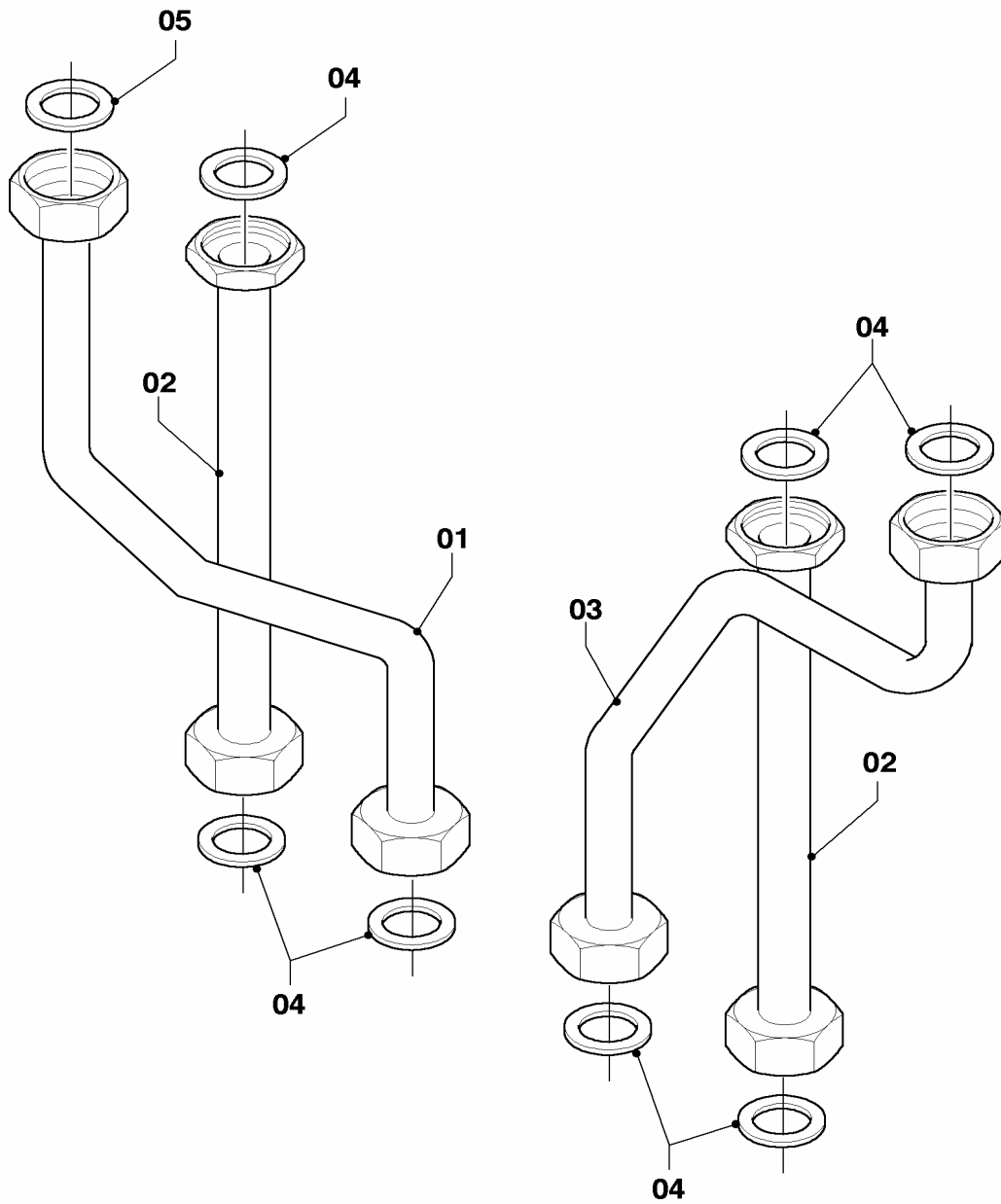
Pos.	Art.-No	Part	Type, note
		02-08-144	
01	0020039781	storage water heater	10 L
02	181081	expansion vessel 1 ltr.	
03	981142	packing ring (set of 10)	
04	0020039784	pipe	with parts 03, 07
05	0020039785	pipe	with parts 03, 10
06	190745	pressure relief valve 10 bar	
07	981165	packing ring (set of 10)	
08	219622	spring clamp (set of 10)	
09	-	-	not necessary
10	193537	packing ring (set of 10)	
11	193598	nut (set of 4)	
12	0020039787	pipe	with part 10
13	0020039788	pipe	with parts 03, 10, 32
14	0020039789	pipe	with part 03
15	179032	connection piece	with parts 03, 19
16	178992	clip (set of 10)	
17	178988	flow sensor (black)	with parts 18, 19, 20
18	178966	clip	
19	981163	packing ring (set of 10)	
20	178991	packing ring (set of 10)	
21	0020039790	pipe	with parts 03, 20
22	0020039791	pipe	with parts 03, 10
23	0020039792	pipe	with parts 07, 10
24	0020039793	pump	with part 07
25	0020039794	pipe	with part 07
26	-	-	cannot be delivered as spare part
27	0020035399	printed circuit	
28	0020039795	cable tree	
29	193592	NTC sensor (CH flow/CH return)	
30	0020039796	NTC-sensor (DHW outlet pipe)	
31	103429	NTC-sensor (DHW outlet pipe)	
32	136376	nipple	
33	981140	packing ring (set of 10)	
34	981142	packing ring (set of 10)	
35	074514	filter	
36	011603	water quantity limitator (14.0 l)	14.0 l

Subject to alteration !

Attention: Please take the gross price from the valid price list !

08c Connection parts (Connection appliance VIH)

VIH CL 15 S



02 - 08 - 148.01

08c Connection parts (Connection appliance VIH)

VIH CL 15 S

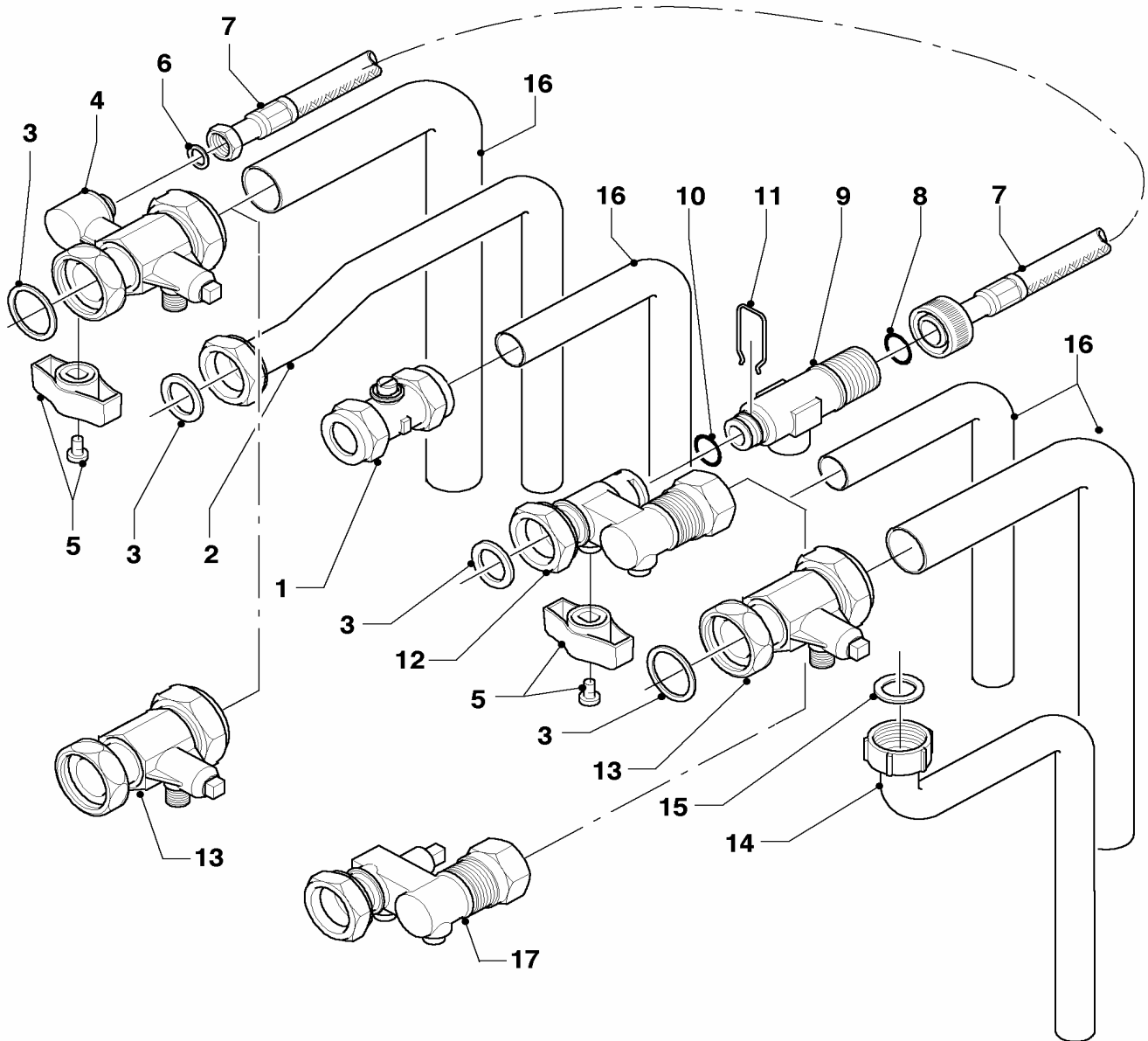
Pos.	Art.-No	Part	Type, note
		02-08-148	
01	0020039797	pipe	with parts 04, 05
02	0020039798	pipe	with part 04
03	0020039799	pipe	with part 04
04	981140	packing ring (set of 10)	
05	981142	packing ring (set of 10)	

Subject to alteration !

Attention: Please take the gross price from the valid price list !

08d Connection parts (Acc. VUI)

ecoTEC plus 937, VUI 376/3-5



02 - 08 - 125.01

08d Connection parts (Acc. VUI)

ecoTEC plus 937, VUI 376/3-5

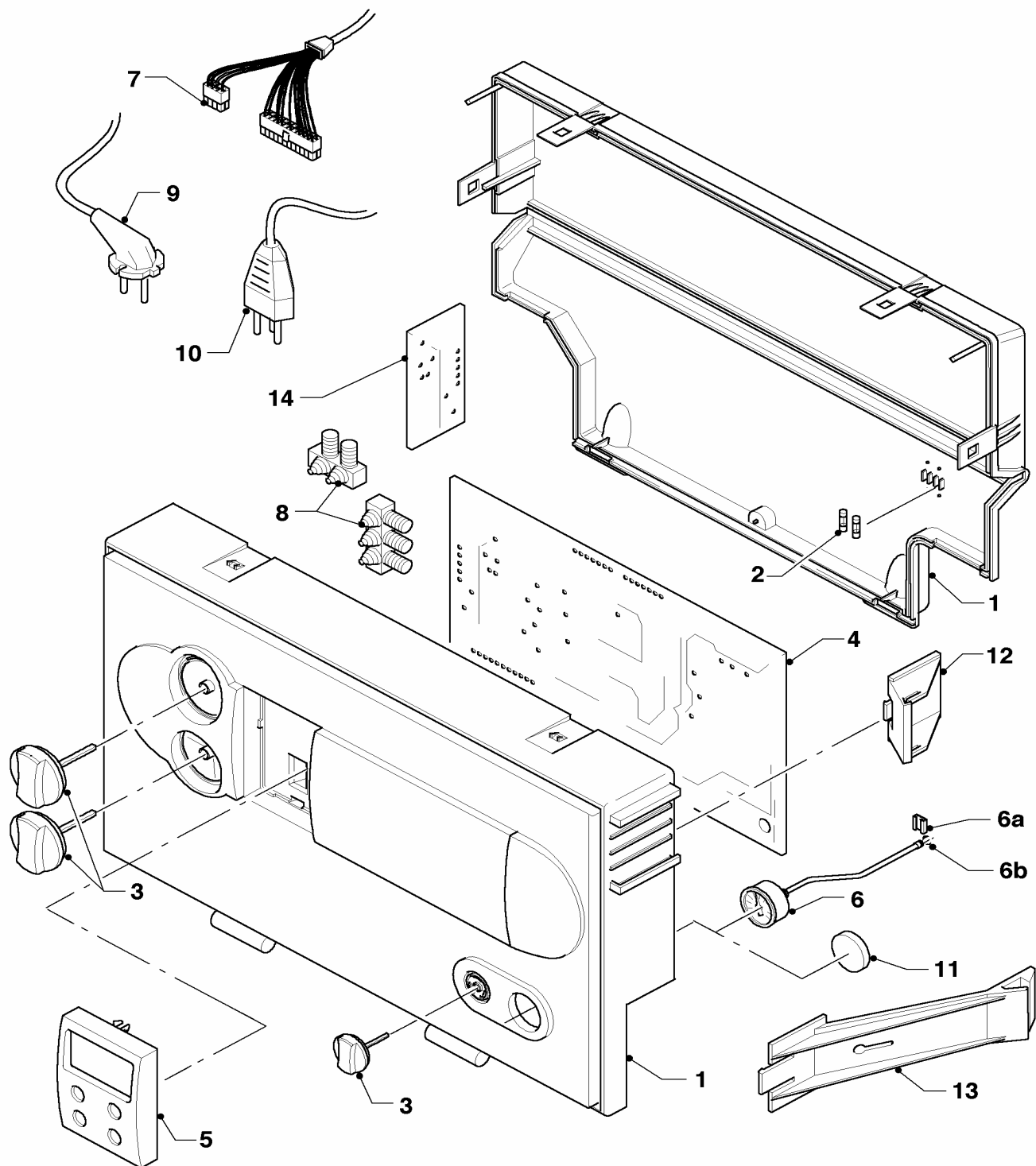
Pos.	Art.-No	Part	Type, note
		02-08-125	
01	082794	gas shut-off valve 36kW	
02	0020010290	pipe	with part 03
03	981140	packing ring (set of 10)	
04	0020010291	service cock	with parts 03, 05, 06
05	0020010292	handle (set of 2)	
06	981146	packing ring (set of 10)	
07	0020010293	flexible tube	with parts 06, 08
08	981165	packing ring (set of 10)	
09	0020010294	valve	with parts 08, 10, 11
10	981154	packing ring (set of 10)	
11	154150	clip	
12	0020010295	valve	with parts 03, 05, 10, 11
13	0020010296	service cock	with part 03
14	0020010297	pipe	with part 15
15	0020010298	packing ring (set of 10)	
16	-	-	not available as spare part
17	-	-	not necessary

Subject to alteration !

Attention: Please take the gross price from the valid price list !

12 Control box

ecoTEC plus 937, VUI 376/3-5



02 - 12 - 046.02

12 Control box

ecoTEC plus 937, VUI 376/3-5

Pos.	Art.-No	Part	Type, note
		02-12-046	
01	193582	casing	
02	251955	fuse 2.0A T (set of 10)	2.0 AT
03	117319	knobs grey (set of 3)	
04	0020049121	printed circuit	with part 02
05	0020040153	display	
06	180982	pressure gauge	
06a	085751	pressure gauge clip	
06b	981155	packing ring (set of 10)	
07	0020025036	harness	appliance
07	0020018072	harness	hydraulik
08	078533	cable fixation	
09	-	-	not necessary
10	-	-	not necessary
11	-	-	not necessary
12	193585	support	
13	-	-	not necessary
14	-	-	not necessary

Subject to alteration !

Attention: Please take the gross price from the valid price list !

Notes

