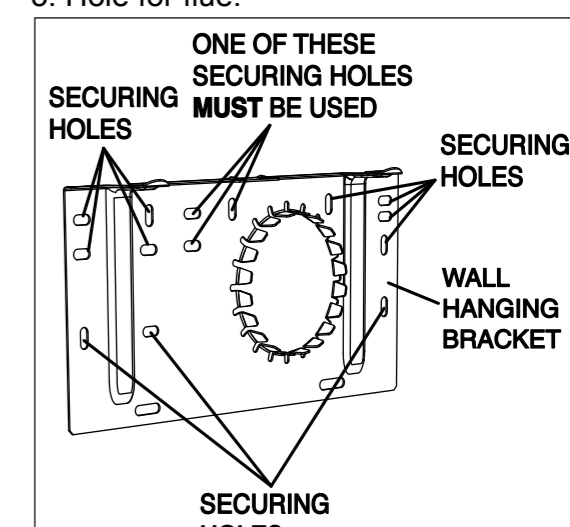


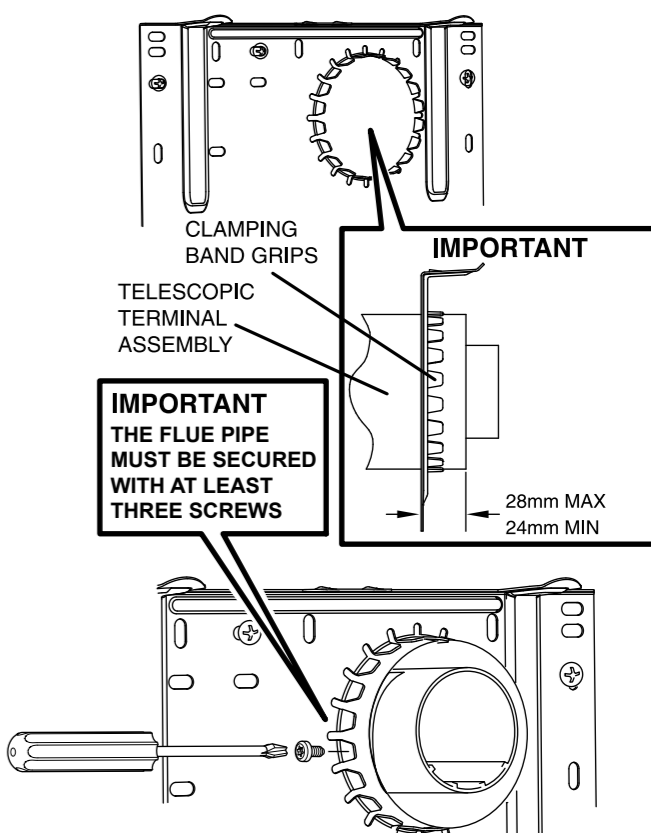
PLEASE NOTE
THE STEP BY STEP GUIDE IS NOT INTENDED TO REPLACE THE INSTALLATION LITERATURE. IT SHOULD BE USED ONLY AS A REFERENCE.

- Note: Before securing the wall hanging bracket the following considerations must be made:
1. Rear or Turret flue (see Step 2)
 2. Position of boiler
 3. Hole for flue.

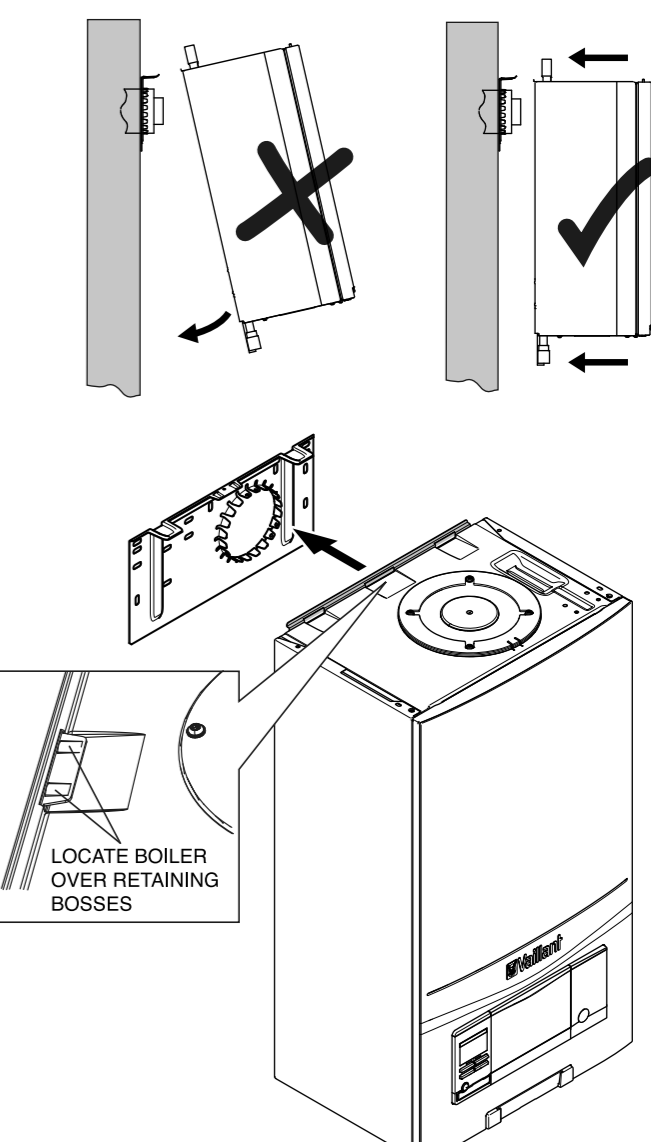


Step 1

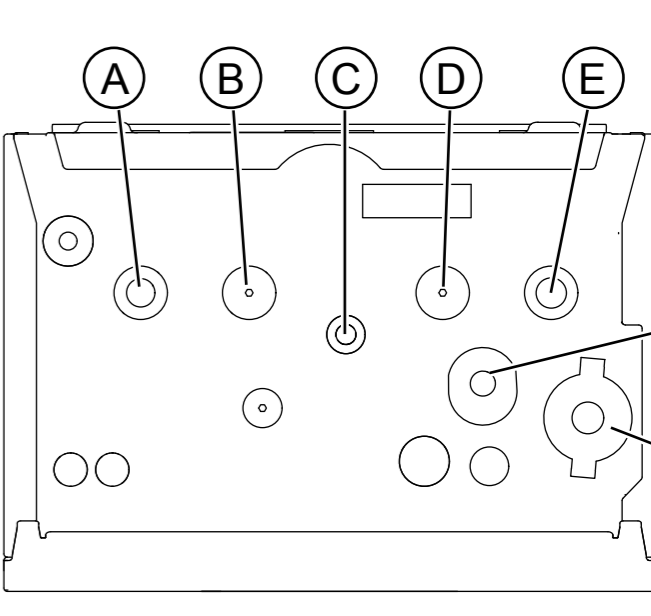
Note: If external access is not available for rear flue installation, then it must be assembled and inserted into the hole before securing the wall hanging bracket.



Step 2



Step 3



- A - Central Heating Isolation Valve
- B - Domestic Cold Water
- C - Gas Service Cock
- D - Domestic Hot Water
- E - Central Heating Isolation Valve
- F - Safety Discharge Pipe
- G - Condensate Connection

Step 4

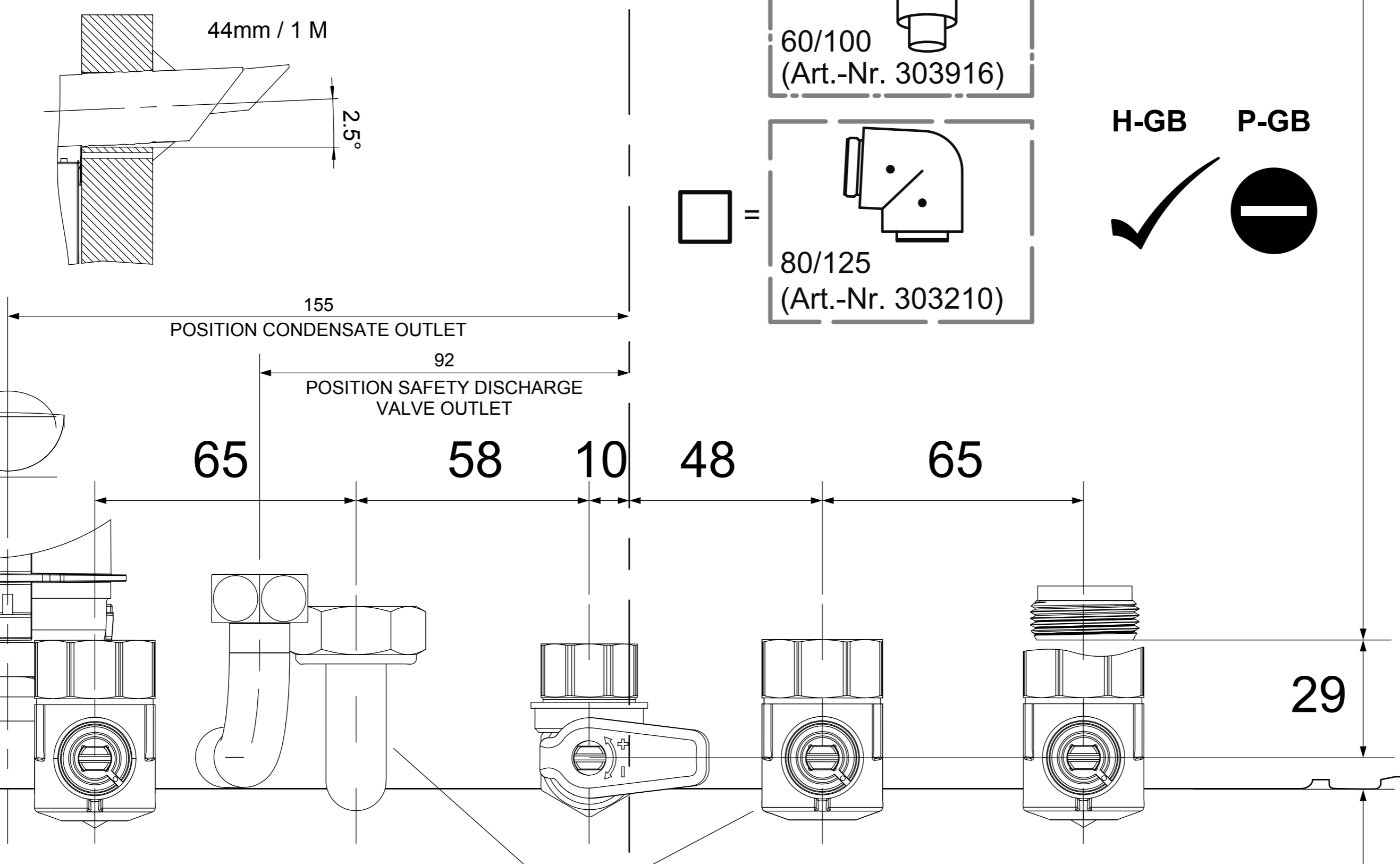
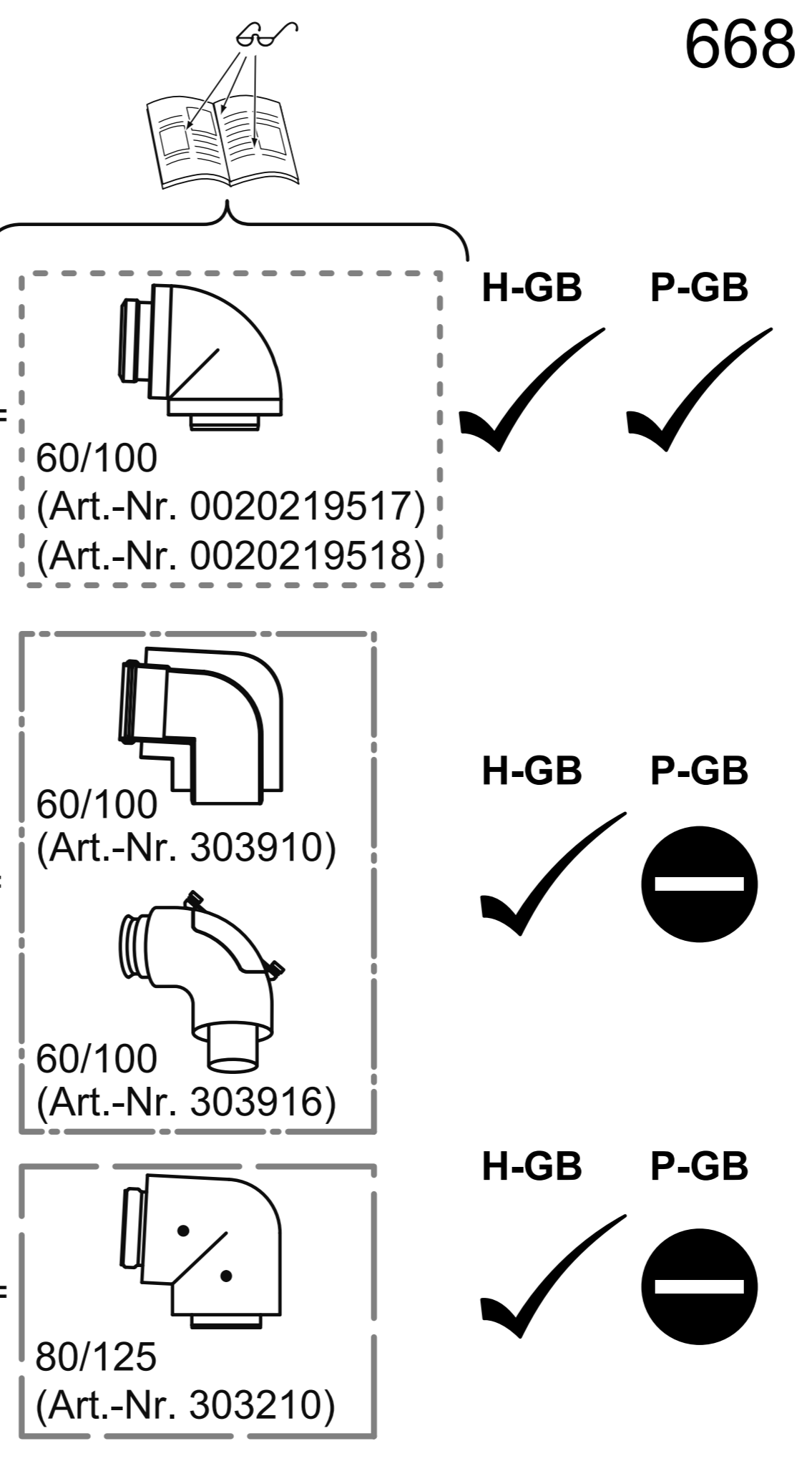
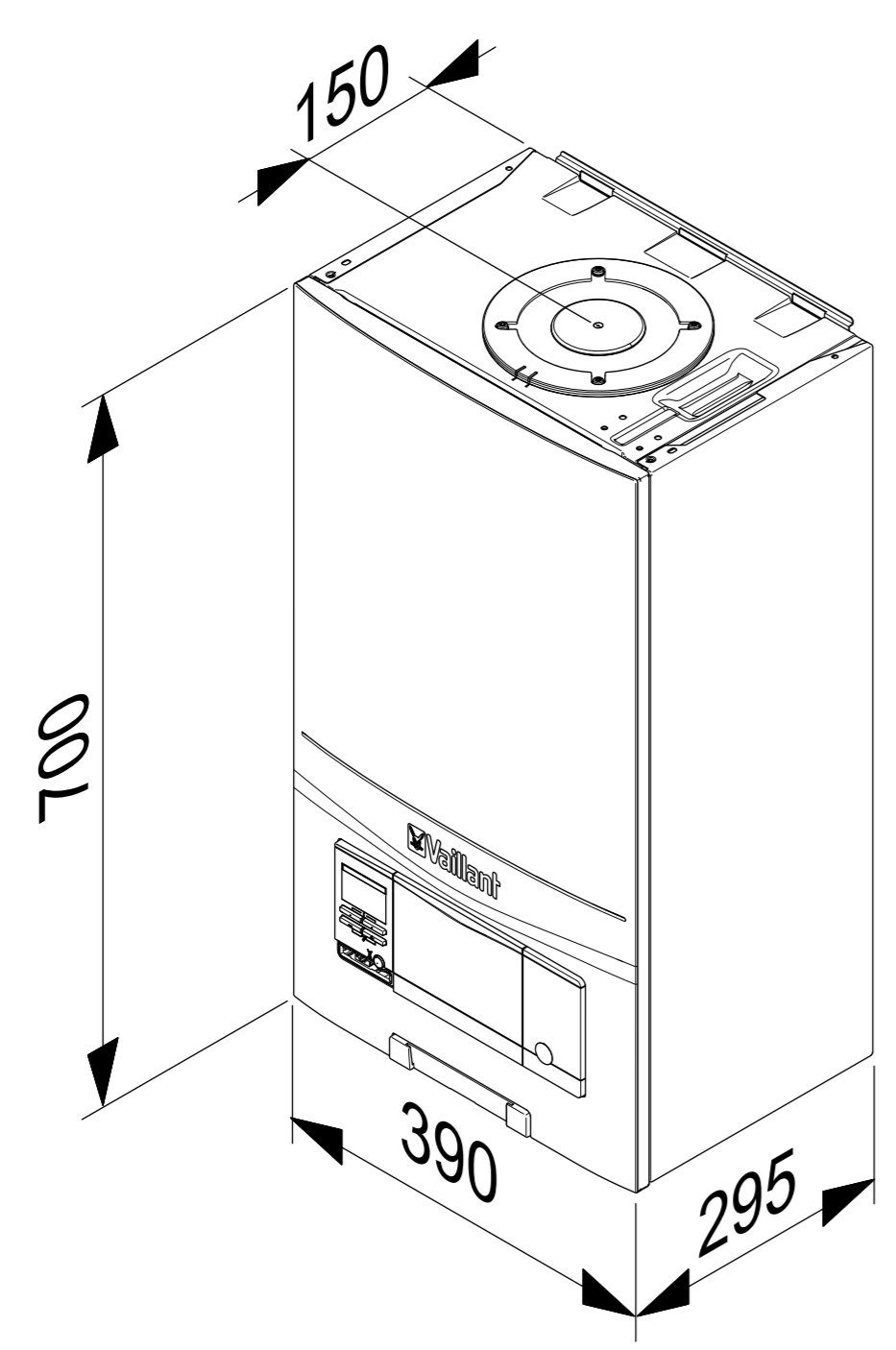
WALL TEMPLATE



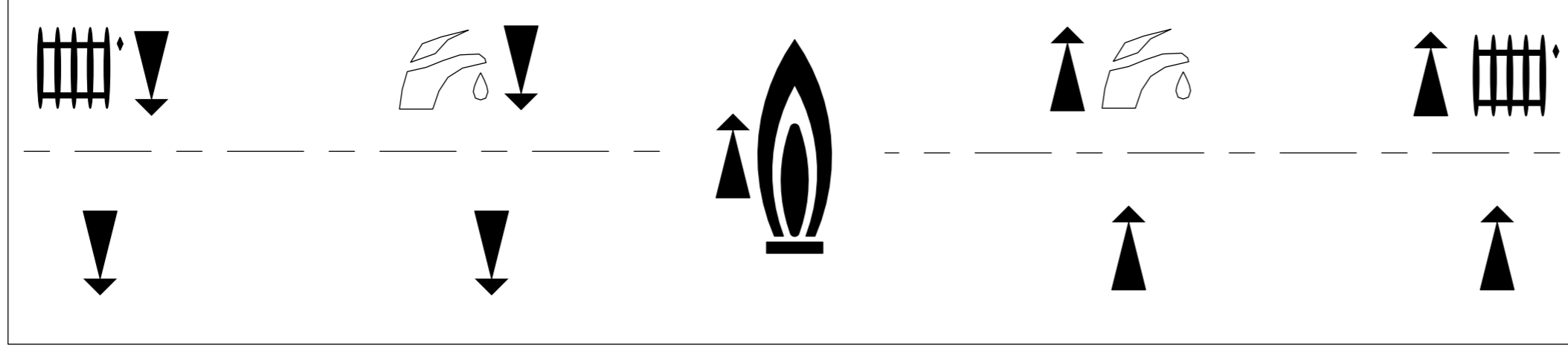
0020231639_00

5 mm Min. Clearance ← **Vaillant** → 5 mm Min. Clearance

BOILER



ONLY COMBI BOILER



150

MINIMUM CLEARANCE ↓

0020231639_00 - 05/16