

Heating Hot water Renewables

ecoFIT pure

Open vent boiler 12, 15, 18, 25, 30 and 35kW



7
Year
Guarantee

Key features and benefits

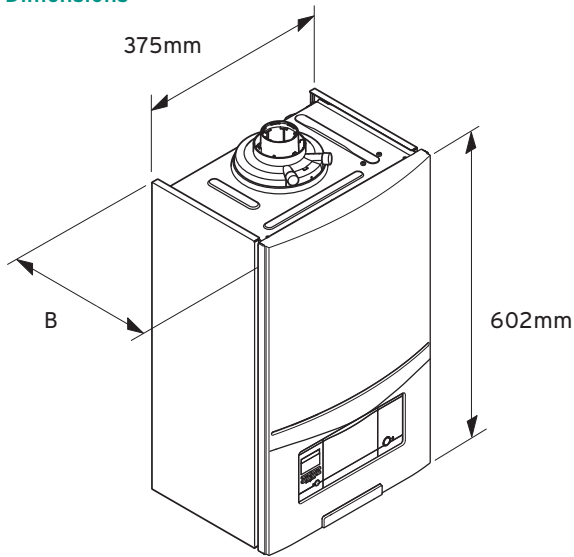
- 7 year guarantee available when registered on Vaillant Advance
- Compact, cupboard fit solution - smaller boiler footprint, offering flexibility of siting, including a cupboard fit
- Boiler Plus compliant with time and temperature controls - Install with VRT 15, timeSWITCH 160 and VR 66 wiring centre for the easiest way to meet Boiler Plus
- Premium components, ensuring highest reliability and performance
- Wide modulation of up to 1:5 - adapts perfectly to all systems in every situation
- High-specification aluminium heat exchanger, designed for longer life, easier maintenance and reduced energy bills
- Easy installation and maintenance - accessible layout allows all components to be replaced from the boiler front



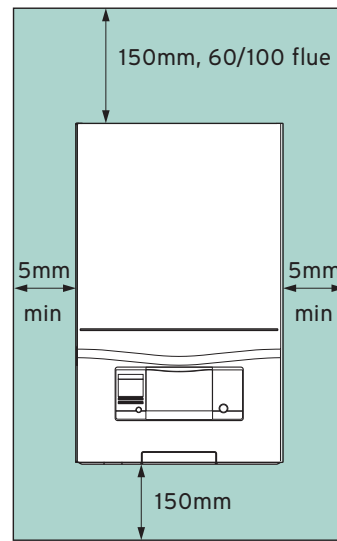
 **Vaillant**

Comfort for your home

Dimensions



Clearances



Model	Dimension B
ecoFIT pure 412, 415, 418, 425, 430, 435	295

NOTE: all measurements are in mm

Minimum clearances	Unit	ecoFIT pure 412, 415, 418, 425, 430 and 435
Side left and right	mm	5
Top	mm	150
Top (if using rear flue)	mm	20
Below	mm	150
Front	mm	602

Technical data	Unit of measure	ecoFIT pure 412	ecoFIT pure 415	ecoFIT pure 418	ecoFIT pure 425	ecoFIT pure 430	ecoFIT pure 435
General							
Article number		0010020400	0010020401	0010020402	0010020403	0010020404	0010020405
Boiler dimensions (HxWxD)	mm	602 x 375 x 295					
Heating							
Nominal heat output range at 50/30°C (Condensing mode)	kW	4.7 - 12.8	4.7 - 15.9	5.2 - 19.1	6.4 - 26.5	7.4 - 31.8	7 - 35.8
Nominal heat output range at 80/60°C (Non condensing mode)	kW	4.5 - 12.3	4.5 - 15.2	5 - 18.3	6.1 - 25.4	7.1 - 30.5	7.2 - 34.8
Maximum flow temperature	°C	80					
Flow temperature range	°C	10 - 80					
Flow temperature factory setting	°C	75					
Approximate condensate volume at 50/30°C	litres/hr	1.23	1.53	1.84	2.55	3.06	3.65
Mechanical							
Boiler lift weight (Dry boiler)	kg	22					23
Maximum horizontal flue length 60/100	m	10					
Rear flue options	YES/NO	Yes					
Performance							
NOx (En 15502-2-1)	mg/kWh	32	33	39	39	40	32
ErP efficiency (Heating / DHW)	A, A/A, A+	A / -					
ErP efficiency	%	94					
ErP decibel rating (sound power)	dBa	45	48	51	52	55	