

Heating Hot water Renewables

# ecoFIT pure

Combination boiler 25, 30 and 35kW



7  
Year  
Guarantee

## Key features and benefits

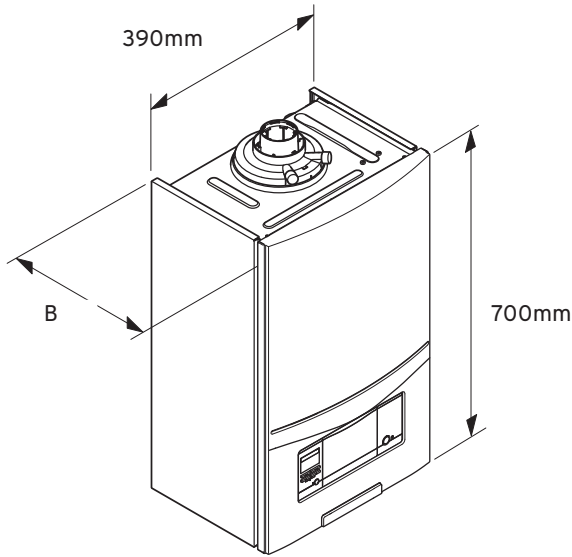
- 7 year guarantee available when registered on Vaillant Advance
- 4-sided cooling and water agitation of the heat exchanger, reducing stress on the heat exchanger for longer life reliability and reduced maintenance costs
- Boiler Plus compliant with Vaillant controls - Install with VRT 350 or VRT 50 + timesWITCH for load compensated system
- Premium quality components including brass diverter valve, ensuring highest reliability and performance
- Wide modulation of up to 1:5 - adapts perfectly to all systems in every situation
- High-specification aluminium heat exchanger, designed for longer life, easier maintenance and reduced energy bills
- Awarded Quiet Mark accreditation - one of quietest boilers in the market, designed for a peaceful home



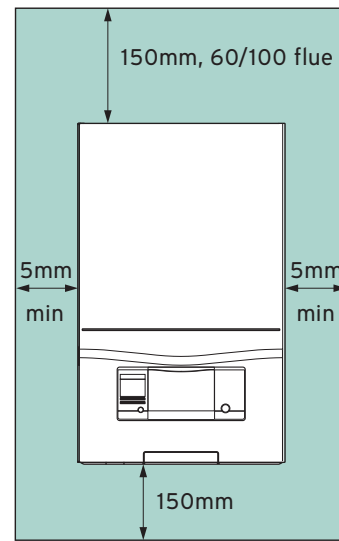
 **Vaillant**

Comfort for your home

## Dimensions



## Clearances



Model	Dimension B
ecoFIT pure 25, 30 and 35	295

NOTE: all measurements are in mm

Minimum clearances	Unit	ecoFIT pure 25, 30 and 35
Side left and right	mm	5
Top	mm	150
Top (if using rear flue)	mm	20
Below	mm	150
Front	mm	600

Technical data	Unit of measure	ecoFIT pure 25	ecoFIT pure 30	ecoFIT pure 35
<b>General</b>				
Article number		0010020389	0010020390	0010020391
Boiler dimensions (HxWxD)	mm	700 x 390 x 295		
<b>Heating</b>				
Nominal heat output range at 50/30°C (Condensing mode)	kW	5.3 - 19.1	6.3 - 26.5	7.5 - 26.7
Nominal heat output range at 80/60°C (Non condensing mode)	kW	5 - 18.3	6.1 - 25.4	7.2 - 25.6
Maximum flow temperature	°C	80		
Flow temperature range	°C	10 - 80		
Flow temperature factory setting	°C	75		
Approximate condensate volume at 50/30°C	litres/hr	1.84	2.55	2.57
<b>Domestic Hot Water</b>				
Domestic hot water flow rate (at $\Delta t = 35K$ )	l/min	10.4	12.2	14.1
Domestic hot water flow rate (at $\Delta t = 42K$ )*	l/min	8.2	10.4	12.0
<b>Mechanical</b>				
Boiler lift weight (Dry boiler)	kg	32	33	
Maximum horizontal flue length 60/100	m	10		
Rear flue options	YES/NO	Yes		
<b>Performance</b>				
NO <sub>x</sub> (En 15502-2-1)	mg/kWh	38	39	39
ErP efficiency (Heating / DHW)	A, A/A, A+	A / A		
ErP efficiency	%	94		
ErP decibel rating (sound power)	dBa	49	51	52

\* Flow restrictor fitted to achieve a  $\Delta 42K$  rise

**Vaillant Group UK Ltd.**  
 Nottingham Road, Belper, Derbyshire DE56 1JT  
 Telephone 0330 678 0878  
[www.vaillant.co.uk](http://www.vaillant.co.uk)  
[info@vaillant.co.uk](mailto:info@vaillant.co.uk)