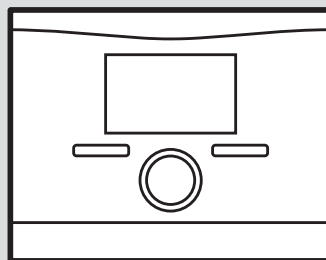




Remote control unit

VR 91f



Operating and installation instructions

Contents

1	Safety	3
1.1	For the end user	3
1.2	General safety information for the end user	3
1.3	For the competent person.....	5
1.4	General safety information for the competent person	5
1.5	Regulations (directives, laws, standards).....	6
2	For the end user	7
2.1	Notes on the documentation.....	7
2.2	Product description	7
2.3	Operation	8
2.4	Maintenance message.....	9
2.5	Fault message	9
2.6	Troubleshooting	9
2.7	Care	9
2.8	Changing the batteries.....	9
2.9	Decommissioning	10
2.10	Guarantee and customer service	10
3	For the competent person	10
3.1	Notes on the documentation.....	10
3.2	Product description	10
3.3	Set-up	11
3.4	Start-up	13
3.5	Handing over to the end user	13
3.6	Operation	14
3.7	Operating and display functions	14
3.8	Troubleshooting	15
3.9	Changing the batteries.....	15
3.10	Decommissioning	15
3.11	Recycling and disposal	15
3.12	Customer service.....	16
3.13	Technical data	16
	Appendix	17

A	For the end user	17
A.1	Operating modes	17
A.2	Operating levels.....	17
A.3	Troubleshooting	19
B	For the competent person	20
B.1	Installer level.....	20
B.2	Remedy	20
B.3	Troubleshooting	20

1 Safety

1.1 For the end user

1.1.1 Intended use

In the event of inappropriate or improper use, damage to the product and other property may arise.

The product enables a zone to be controlled remotely via an eBUS interface.

The wireless remote control must be installed in a location that has sufficient reception. The radio remote control is not intended to be portable.

The following components are required for operation:

- VRC 700f

Intended use includes the following:

- observance of the operating instructions included for the product and any other installation components
- compliance with all inspection and maintenance conditions listed in the instructions.

This product can be used by children aged from 8 years and above and persons with reduced physical, sensory or mental capabilities or lack of experience and knowledge if they have been given supervision or instruction concerning use of the product in a safe way

and understand the hazards involved. Children must not play with the product. Cleaning and user maintenance work must not be carried out by children unless they are supervised.

Any other use that is not specified in these instructions, or use beyond that specified in this document, shall be considered improper use. Any direct commercial or industrial use is also deemed to be improper.

Caution.

Improper use of any kind is prohibited.

1.2 General safety information for the end user

1.2.1 Danger caused by improper operation

Improper operation may present a danger to you and others, and cause material damage.

- ▶ Carefully read the enclosed instructions and all other applicable documents, particularly the "Safety" section and the warnings.
- ▶ Only carry out the activities for which instructions are provided in these operating instructions.

1.2.2 Batteries

- ▶ Note the battery type, as described in these instructions; see section "Data plate".
- ▶ Remove and insert batteries as described in these instructions; see section "Changing the batteries".
- ▶ Do not recharge non-rechargeable batteries.
- ▶ Remove rechargeable batteries from the product before charging them.
- ▶ Do not combine batteries with other battery types.
- ▶ Do not combine new and used batteries.
- ▶ Insert the batteries, making sure that the poles are the right way round.
- ▶ Remove the dead batteries from the product and dispose of them correctly.
- ▶ Remove the batteries if you intend to store the product and not use it for an extended period and/or to scrap it.
- ▶ Do not short-circuit the connection contacts in the product's battery compartment.

1.2.3 Risk of material damage caused by acid

- ▶ Remove any dead batteries from the product and dispose of these properly.
- ▶ Remove the batteries if you intend to store the product

and not use it for an extended period.

1.2.4 Risk of death caused by swallowing batteries

This product contains replaceable batteries.

- ▶ Dispose of used batteries in accordance with the instructions in this manual.
- ▶ If the battery compartment no longer closes securely, stop using the product.
- ▶ Batteries do not belong in the hands of children. Ensure that batteries are kept out of reach of children.

If batteries are swallowed, this may lead to serious internal burns or death within just two hours.

- ▶ Seek immediate medical assistance.

1.2.5 Risk of material damage caused by frost

- ▶ Ensure that the heating installation always remains in operation during freezing conditions and that all rooms are sufficiently heated.
- ▶ If you cannot ensure the operation, have a competent person drain the heating installation.

1.3 For the competent person

1.3.1 Intended use

In the event of inappropriate or improper use, damage to the product and other property may arise.

The product enables a zone to be controlled remotely via an eBUS interface.

The wireless remote control must be installed in a location that has sufficient reception.

The radio remote control is not intended to be portable.

The following components are required for operation:

- VRC 700f
- observance of accompanying operating, installation and maintenance instructions for the product and any other system components
- installing and setting up the product in accordance with the product and system approval
- compliance with all inspection and maintenance conditions listed in the instructions.

Intended use also covers installation in accordance with the IP code.

Any other use that is not specified in these instructions, or use beyond that specified in this document, shall be considered

improper use. Any direct commercial or industrial use is also deemed to be improper.

Caution.

Improper use of any kind is prohibited.

1.4 General safety information for the competent person

1.4.1 Risk caused by inadequate qualifications

The following work must only be carried out by competent persons who are sufficiently qualified to do so:

- Set-up
- Dismantling
- Installation
- Start-up
- Inspection and maintenance
- Repair
- Decommissioning
- ▶ Proceed in accordance with current technology.

1.4.2 Risk of material damage caused by frost

- ▶ Do not install the product in rooms prone to frost.



1.5 Regulations (directives, laws, standards)

- ▶ Observe the national regulations, standards, directives, ordinances and laws.



2 For the end user

2.1 Notes on the documentation

2.1.1 Observing other applicable documents

- ▶ Always observe all operating instructions enclosed with the installation components.

2.1.2 Storing documents

- ▶ Store these instructions and all other applicable documents for further use.

2.1.3 Validity of the instructions

These instructions apply only to:

VR 91f – article number

Great Britain	0020231566
---------------	------------

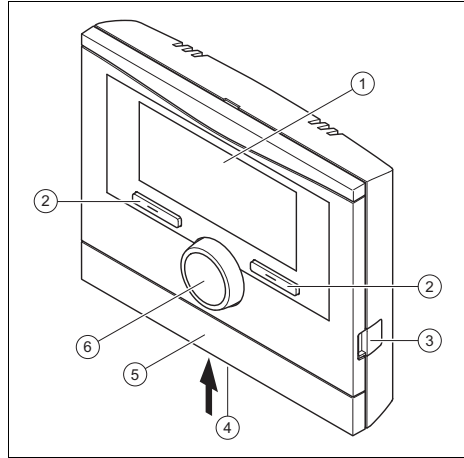
2.1.4 Nomenclature

The following terms are used for simplification:

- System control: This refers to the **VRC 700f/4** wireless system control.
- Remote control: This refers to the **VR 91f** wireless remote control.
- Outdoor temperature sensor: This refers to the wireless outdoor temperature sensor.

2.2 Product description

2.2.1 Design of the product



- | | | | |
|---|--------------------|---|--------------------------|
| 1 | Display | 4 | Battery compartment |
| 2 | Selection button | 5 | Wall-mounting base cover |
| 3 | Diagnostics socket | 6 | Rotary knob |

2.2.2 Main function

The remote control sends data, such as the current room temperature, to the radio receiver unit. The remote control receives data from the radio receiver unit that you can read on the display. On the remote control you can, for example, set the operating mode, the time periods or the temperature.


2.2.3 Preventing malfunctions

- ▶ Ensure that the room air can circulate freely around the remote control, and that the remote control is not covered by furniture, curtains or other objects.
- ▶ Ensure that all radiator valves in the room where the remote control is fitted are fully open.

2.2.4 Data plate

The data plate is located on the rear of the remote control underneath the unit mounting bracket.

The data plate contains the following information:

Information on the data plate	Meaning
Serial number	for identification; 7th to 16th digits = product article number
VR 91f	Product designation
V	Rated voltage
mA	Rated current
	Read the instructions
LR06	Battery type designation
T60	Max. permitted environmental temperature: 0 to 60 °C

2.2.5 Serial number

You can call up the serial number to the display under **Menu** → **Information** → **Serial number**. The 10-digit article number is located in the second line.

2.2.6 CE marking



The CE marking shows that the products comply with the basic requirements of the applicable directives as stated on the declaration of conformity.

The manufacturer hereby declares that the type of radio equipment that is described in these instructions complies with Directive 2014/53/EU. The complete text for the EU Declaration of Conformity is available at: <http://www.vaillant-group.com/doc/doc-radio-equipment-directive/>.

2.3 Operation

You can only operate the remote control unit in combination with the **VRC 700f** system control. This means that it is also necessary to read through the operating instructions for the **VRC 700f** system control.

The operating instructions for the system control will provide you with

- Information on the operating structure.
- Information on the operating concept with examples.
- A detailed description of the operating and display functions that the remote control unit also has.

Operating modes (→ Page 17)

Operating levels (→ Page 17)

The path details given at the start of each function description indicate how you reach this function in the menu structure.

2.3.1 Reading the reception strength

Menu → **Information** → **System status** → **Signal strength**


- You can use this function to read how strong the radio link between the radio receiver unit and the remote control is.
- 4: The radio link is within the acceptable range. If the reception strength is < 4, the radio link is not stable.
- 10: The radio link is highly stable.

2.3.2 Reading the battery status

Menu → **Information** → **System status** → **Battery status**


- You can use this function to read the battery's state of charge.
- **OK**: The battery has sufficient charge.
- **Critical**: The battery is almost flat.

2.4 Maintenance message

If maintenance is required, the text **Main-**
tenance and the  symbol appear in the
remote control unit display.

You can read the specific maintenance
messages on the system control display
and find out which measures you need to
take from the instructions for the system
control.

2.5 Fault message

If a fault occurs in the heating installation,
 will appear in the display together with
a fault message. The competent person
must clear or rectify the fault in the heating
installation, otherwise it could cause ma-
terial damage or make the heating installa-
tion malfunction.

- ▶ Inform a competent person.

2.6 Troubleshooting

Troubleshooting faults (→ Appendix A.3)

2.7 Care

2.7.1 Caring for the product

- ▶ Clean the casing with a damp cloth and
a little solvent-free soap.
- ▶ Do not use sprays, scouring agents,
detergents, solvents or cleaning agents
that contain chlorine.

2.8 Changing the batteries

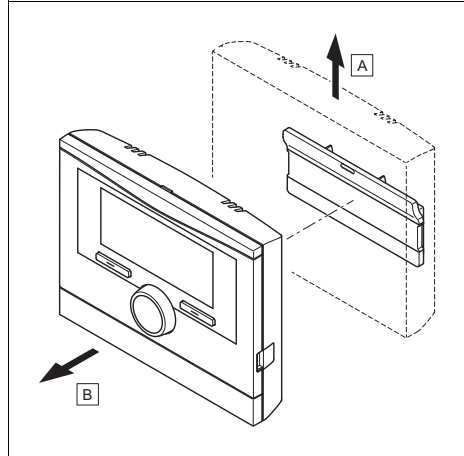


Danger! **Risk of death caused by un-** **suitable batteries!**

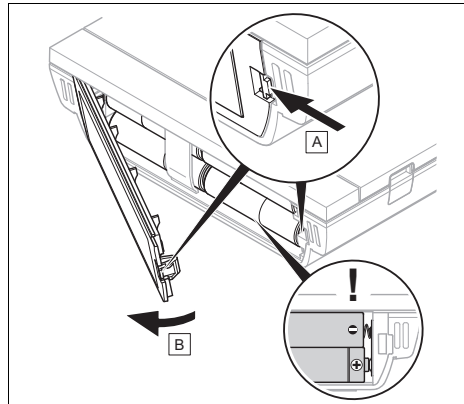
If batteries – whether re-
chargeable or non-re-
chargeable – are replaced with
the wrong type of battery, there
is a risk of explosion.

- ▶ Ensure that you use the cor-
rect battery type when repla-
cing batteries.

- ▶ Dispose of used batteries in
accordance with the instruc-
tions in this manual.

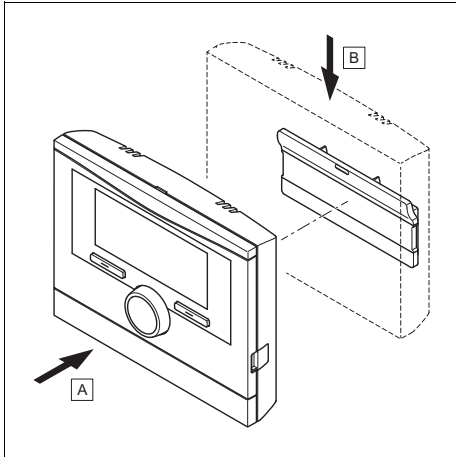


1. Remove the remote control from the
unit mounting bracket as shown in the
figure.



2. Open the battery compartment as
shown in the figure.
3. Always change all the batteries at the
same time.
 - Only use LR06 batteries
 - Do not use rechargeable batteries
 - Do not combine the batteries with
other battery types
 - Do not combine new and used bat-
teries

4. Insert the batteries, making sure that the poles are the right way round.
5. Do not short-circuit the connection contacts.
6. Close the battery compartment.



7. Clip the remote control into the unit mounting bracket as shown in the figure, making sure that it clicks into place.

2.9 Decommissioning

2.9.1 Decommissioning the product

If you want to replace or remove the product, you must decommission the heating installation.

- ▶ This work should be carried out by a competent person.
- ▶ Remove the batteries if you intend to store the product and not use it for an extended period.

2.10 Guarantee and customer service

2.10.1 Guarantee

We only grant a Vaillant manufacturers warranty if a suitably qualified engineer has installed the system in accordance with Vaillant instructions. The system owner will be granted a warranty in accordance with the Vaillant terms and conditions. All requests for work during the

guarantee period must be made to Vaillant Service Solutions.

2.10.2 Customer service

For contact details for our customer service department, you can write to the address that is provided on the back page, or you can visit www.vaillant.co.uk.

3 For the competent person

3.1 Notes on the documentation

3.1.1 Observing other applicable documents

- ▶ Always observe all the operating and installation instructions included with the system components.

3.1.2 Storing documents

- ▶ Pass these instructions and all other applicable documents on to the end user.

3.1.3 Validity of the instructions

These instructions apply only to:

VR 91f – article number

Great Britain	0020231566
---------------	------------


3.2 Product description

3.2.1 Data plate

The data plate is located on the rear of the remote control underneath the unit mounting bracket.

The data plate contains the following information:

Information on the data plate	Meaning
Serial number	for identification; 7th to 16th digits = product article number
VR 91f	Product designation
V	Rated voltage
mA	Rated current

Information on the data plate	Meaning
	Read the instructions
LR06	Battery type designation
T60	Max. permitted environmental temperature: 0 to 60 °C

3.2.2 CE marking



The CE marking shows that the products comply with the basic requirements of the applicable directives as stated on the declaration of conformity.

The manufacturer hereby declares that the type of radio equipment that is described in these instructions complies with Directive 2014/53/EU. The complete text for the EU Declaration of Conformity is available at: <http://www.vaillant-group.com/doc/doc-radio-equipment-directive/>.

3.3 Set-up

3.3.1 Checking the scope of delivery

Quantity	Contents
1	Remote control unit
1	Fastening material (2 bolts and 2 wall plugs)
4	Batteries, LR06
1	Documentation

3.3.2 Requirements for lines

- ▶ Use standard commercial lines for the wiring.
 - Minimum cross-section: $\geq 0.75 \text{ mm}^2$
 - Maximum line length: $\leq 125 \text{ m}$

3.3.3 Requirements for determining the reception strength of the remote control

- The set-up and installation of all system components and the radio receiver unit (except for the system control and the outdoor temperature sensor) is complete.
- The power supply for the entire heating installation is switched on.
- The system components are switched on.

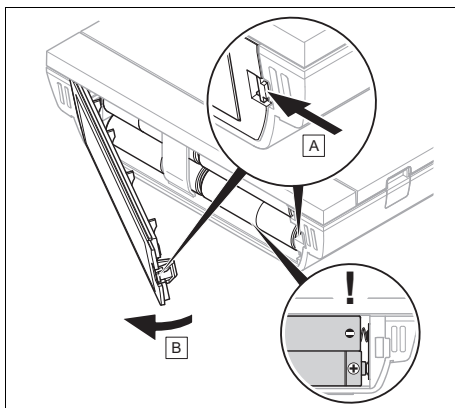
3.3.4 Installing the remote control

Determining the installation site of the remote control in the building

1. Choose an installation site that meets the following requirements.
 - Interior wall of the main living room
 - Installation height: 1.5 m
 - not in direct sunlight
 - not affected by heat sources

Determining the reception strength of the remote control at the chosen installation site

2. Observe all the points listed in "Requirements for determining the reception strength of the remote control (→ Page 11)".
3. Stand next to the radio receiver unit.



4. Open the remote control's battery compartment as shown in the figure.

5. Insert the batteries, making sure that the poles are the right way round.
 - ◁ The installation assistant starts.
6. Close the battery compartment.
7. Select the language.
8. In ascending order, enter the addresses in the **Remote control address** function.
9. Start with address 1.
10. Press the **OK** selection button.
 - ◁ The installation assistant starts the pairing process.
11. Press the pair button on the radio receiver unit within 10 seconds.
 - ◁ **Pairing successful. Control is being restarted.** appears on the display.
12. Continue pressing the functions that appear using the **OK** selection button until the **Radio link signal strength** function appears in the display.
13. Go to the chosen installation site.
14. Close all doors behind you on the way to the installation site.
15. If dashes (--) appear in the display instead of the value and the background lighting is off, press one of the selection buttons or turn the rotary knob.

Condition: Background lighting is on, The display shows dashes (--)

- ▶ Make sure that the power supply is switched on.

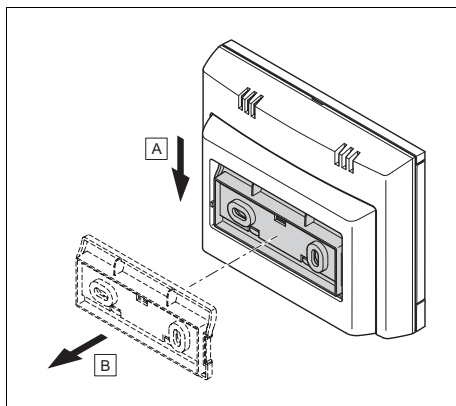
Condition: Background lighting is on, The display shows dashes (--), The reception strength is < 4

- ▶ Find an installation site for the remote control that is within the reception range.

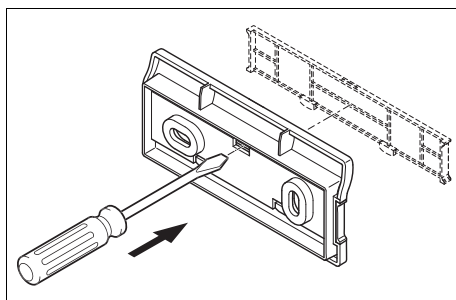
Condition: Background lighting is on, The reception strength is ≥ 4

- ▶ Mark the position on the wall where the reception strength is sufficiently high.

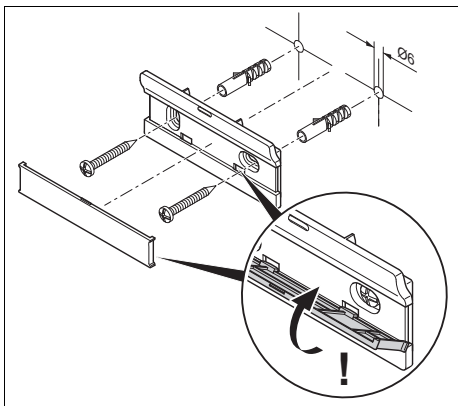
Attaching the unit mounting bracket to the wall



16. Remove the unit mounting bracket from the remote control as shown in the figure.

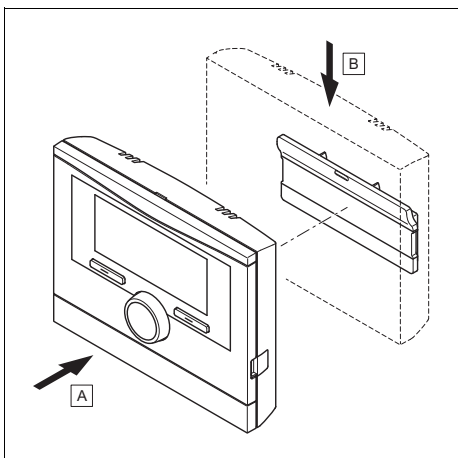


17. Remove the cover on the unit mounting bracket as shown in the figure.



18. Attach the unit mounting bracket including cover as shown in the figure.

Fitting the remote control



19. Fit the remote control to the unit mounting bracket as shown in the figure, making sure that it clicks into place.

3.4 Start-up

3.4.1 Preparatory work for start-up

- The remote control has been installed.
- The installation assistant has been closed by pressing the **OK** selection button and the display is showing the basic display.
- The reception strength is ≥ 4 .

3.4.2 Configuring the settings on the system control

1. If you would also like to use the room temperature sensor in the remote control unit, select the **Temp. mod.** or **Thermost.** setting in the **Room temp. mod.** function.
2. Specify in which zone the remote control unit has been installed.
3. Scroll through the display to the zone in which the remote control unit has been installed.
4. Reduce the setting in this zone to **Yes** in the **Zone activated** function.
5. Assign the address for the remote control unit that should be triggered in the **Zone assignment** function in this zone.

3.4.3 Changing the settings later

All settings that you have made via the installation assistant can be changed again at a later date via the end user or installer level.

Operating levels (→ Page 17)

Installer level (→ Page 20)

3.5 Handing over to the end user

- ▶ Inform the end user of how to handle and operate their product.
- ▶ Provide the end user with all relevant instructions and unit documentation for safe-keeping.
- ▶ Go through the operating instructions with the end user.
- ▶ Answer any questions the end user may have.
- ▶ In particular, draw the end user's attention to the safety warnings that they must follow.
- ▶ Inform the end user that room air must be able to circulate freely around the product, and that it should not be covered by furniture, curtains or other objects.

- ▶ Inform the end user that all the radiator valves in the room where the product is installed must be fully open.

3.6 Operation

You can only operate the remote control unit in combination with the **VRC 700f** system control. This means that it is also necessary to read through the operating instructions for the **VRC 700f** system control.

The operating instructions for the system control will provide you with

- Information on the operating structure.
- Information on the operating concept with examples.
- A detailed description of the operating and display functions that the remote control unit also has.

Operating modes (→ Page 17)

Operating levels (→ Page 17)

The path details given at the start of each function description indicate how you reach this function in the menu structure.

3.6.1 Resetting to factory setting

You can use this function to reset all the set values that you configured using the remote control installation assistant.

The communication link between the remote control and the radio receiver unit must not be broken or interrupted.

You can access the **Reset to default setting?** function directly by activating the remote control using the rotary knob or one of the selection buttons and then pressing and holding both selection buttons at the same time for at least 10 seconds.

3.7 Operating and display functions

The remote control has an end user level and an installer level.

The setting and read-out options for the competent person can be found via the selection button **Menu** → **Installer level** → **Enter code**.

If you do not know the code, you can clear the code using the **Default setting** function. All the set values will be lost if you do this.

Operating modes (→ Page 17)

Operating levels (→ Page 17)

Installer level (→ Page 20)

The path details given at the start of each function description indicate how you reach this function in the menu structure.

3.7.1 Reading the fault status

Menu → **Installer level** → **System configuration [System ----]** → **Fault status**

- This function allows you to read the status of the heating installation. If there is no fault present, the **No fault** message appears. If there is a fault, then **Fault list** appears as a status. If you press the right-hand selection button, the fault messages (→ Page 15) will be displayed.

3.7.2 Reading the software version

Menu → **Installer level** → **System configuration [System ----]** → **Control modules**

- You can use this function to read the software versions of the remote control unit.

3.7.3 Setting the address for the remote control unit

Menu → **Installer level** → **System configuration [System ----]** → **Remote control address**

- You can use this function to set the address for the remote control unit.

Every remote control unit has a unique address, starting with Address 1. Increase the number in the address consecutively for each additional remote control unit used.

If you change the remote control's address, the pairing process starts automatically. For the radio receiver unit to detect that the remote control has a new address, you will need to press the pair button on the radio receiver unit within 10 seconds.


3.7.4 Reading the reception strength

Menu → **Installer level** → **System configuration [System ----]** → **Signal strength**

- You can use this function to read how strong the radio link between the radio receiver unit and the remote control is.
- 4: The radio link is within the acceptable range. If the reception strength is < 4, the radio link is not stable.
- 10: The radio link is highly stable.

3.8 Troubleshooting

3.8.1 Fault messages

If a fault occurs in the heating installation,  will appear in the display together with a fault message.

Troubleshooting faults (→ Appendix B.2)

Troubleshooting errors (→ Appendix B.3)

3.9 Changing the batteries



Danger!

Risk of death caused by unsuitable batteries!

If batteries – whether rechargeable or non-rechargeable – are replaced with the wrong type of battery, there is a risk of explosion.

- ▶ Ensure that you use the correct battery type when replacing batteries.

- ▶ Dispose of used batteries in accordance with the instructions in this manual.

-
- ▶ Replace the batteries as described in the product's operating instructions.

3.10 Decommissioning

3.10.1 Decommissioning the heating installation

- ▶ Decommission all system components of the heating installation, as described in the installation instructions for the individual system components.

3.10.2 Removing the product from the wall

1. Take the product out of the unit mounting bracket.
2. Remove the batteries.
3. Remove the cover on the unit mounting bracket.
4. Unscrew the unit mounting bracket from the wall.

3.11 Recycling and disposal

Packaging

- ▶ Dispose of the packaging correctly.

This product is an electrical or electronic unit within the context of EU Directive 2012/19/EU. The unit was developed and manufactured using high-quality materials and components. These can be recycled and reused.

Find out about the regulations that apply in your country regarding the separate collection of waste electrical or electronic equipment. Correctly disposing of old units protects the environment and people against potential negative effects.

- ▶ Dispose of the packaging correctly.
- ▶ Observe all relevant regulations.

Disposing of the product



■ If the product is labelled with this symbol:

- ▶ In this case, do not dispose of the product with the household waste.
- ▶ Instead, hand in the product to a collection centre for waste electrical or electronic equipment.

Disposing of batteries



■ If the product contains batteries that are labelled with this symbol:

- ▶ In this case, dispose of the batteries at a collection point for batteries.
 - ◁ **Prerequisite:** The batteries can be removed from the product without causing any destruction. Otherwise, the batteries are disposed of together with the product.
- ▶ In accordance with the legal regulations, the end user is obligated to return used batteries.

Deleting personal data

Personal data may be misused by unauthorised third parties.

If the product contains personal data:

- ▶ Ensure that there is no personal data on or in the product (e.g. online login details or similar) before you dispose of the product.

3.12 Customer service

Customer service addresses can be found in the installation instructions for the system control.

3.13 Technical data

3.13.1 Remote control unit

Battery type	LR06
Rated surge voltage	330 V
Frequency band	868.0 to 868.6 MHz
Max. transmission power	< 25 mW
Range outdoors	≤ 100 m
Range indoors	≤ 25 m
Pollution degree	2
IP rating	IP 20
Protection class	III
Temperature for the ball pressure test	75 °C
Maximum permitted environmental temperature	0 to 60 °C
Current room air humidity	20 to 95 %
Mode of operation	Type 1
Height	115 mm
Width	147 mm
Depth	50 mm

Appendix

A For the end user

A.1 Operating modes

Operating mode	Setting	Default setting
Operating mode		
Heating	off, Auto, Day, Set-back	Auto
Cooling	off, Auto, Day	Auto
Advanced functions		
1 day at home	active	–
1 day away from home	active	–
Ventilation boost	active	–
Party function	active	–

A.2 Operating levels

A detailed description of the functions can be found in the operating instructions for the controller.

Setting level	Values		Unit	Increment, select	Default setting
	Min.	Max.			
Information → System status →					
System ----					
Fault status	Current value			No fault, Fault list	
Curr. room air hum.	Current value		%		
Current dew point	Current value		°C		
Battery status	Current value			Critical, OK	
Signal strength	Current value			1	
ZONE1 ----					
Day temp. heating	Current value		°C	0.5	20
	5	30			
Day temp. cooling	Current value		°C	0.5	24
	15	30			
Set-back temp. heat.	Current value		°C	0.5	15
	5	30			
Room temperature	Current value		°C		
Information → Contact details →					
Installer, Phone number	Current values				
Information → Serial number →					
Unit number	Permanent value				
Desired temperature → ZONE1 →					
Day temp. heating	5	30	°C	0.5	20

Setting level	Values		Unit	Increment, select	Default setting
	Min.	Max.			
Day temp. cooling	15	30	°C	0.5	24
Set-back temp. heat.	5	30	°C	0.5	15
Time programmes → ZONE1: Heating →					
Individual days and blocks				Monday, Tuesday, Wednesday, Thursday, Friday, Saturday, Sunday and Monday - Friday, Saturday - Sunday, Monday - Sunday	Mo - Fr: 06:00-22:00 Sa: 07:30-23:30 Su: 07:30-22:00
Period 1: Start – End Period 2: Start – End Period 3: Start – End	00:00	24:00	h:min	00:10	
Time programmes → ZONE1: Cooling →					
Individual days and blocks				Monday, Tuesday, Wednesday, Thursday, Friday, Saturday, Sunday and Monday - Friday, Saturday - Sunday, Monday - Sunday	Mo - Fr: 06:00-22:00 Sa: 07:30-23:30 Su: 07:30-22:00
Period 1: Start – End Period 2: Start – End Period 3: Start – End	00:00	24:00	h:min	00:10	
Days away from home scheduling →					
Start	01.01.01	31.12.99	dd.mm.yy	Day.Month.Year	01.01.14
End	01.01.01	31.12.99	dd.mm.yy	Day.Month.Year	01.01.14
Temperature	5	30	°C	1	15
Days at home scheduling →					
Start	01.01.01	31.12.99	dd.mm.yy	Day.Month.Year	01.01.14
End	01.01.01	31.12.99	dd.mm.yy	Day.Month.Year	01.01.14
Basic settings → Language →					
				Selectable language	English
Basic settings → Display →					
Display contrast	1	15		1	9
Button lock				off, On	Off
Preferred display				Heating, Cooling	Heating

Setting level	Values		Unit	Increment, select	Default setting
	Min.	Max.			
Basic settings → Offset →					
Room temperature	-3.0	3.0	K	0.5	0.0
Basic settings → Enter zone name →					
ZONE1	1	10		A to Z, 0 to 9, space	ZONE1
Installer level →					
Enter code	000	999		1	000

A.3 Troubleshooting

Symptom	Possible cause	Measure
Display remains dark	The batteries are flat	<ol style="list-style-type: none"> 1. Change all the batteries. (→ Page 9) 2. If the fault persists, inform the competent person.
No changes in the display when the rotary knob is turned	Software error	<ol style="list-style-type: none"> 1. Take all the batteries out. 2. Insert the batteries in the battery compartment, making sure that the poles are the right way round. 3. If the fault persists, inform the competent person.
No changes in the display via the selection buttons are pressed	Software error	<ol style="list-style-type: none"> 1. Take all the batteries out. 2. Insert the batteries in the battery compartment, making sure that the poles are the right way round. 3. If the fault persists, inform the competent person.
Display view: No RF communication	The reception strength is too weak	<ol style="list-style-type: none"> 1. Take the remote control to the radio receiver unit and see if the reception strength increases. 2. If the reception strength is greater than 4, have the competent person install the remote control in a different location. 3. If the reception strength when directly next to the radio receiver unit is less than 4, switch off the mains switch for all the heat generators and then wait approximately 1 minute before switching it back on. 4. If the fault persists, inform the competent person.
Display view: Change batteries	The batteries are almost flat	<ol style="list-style-type: none"> 1. Change all the batteries. (→ Page 9) 2. If the fault persists, inform the competent person.

Symptom	Possible cause	Measure
Display view: Button lock active To unlock, press OK for 3 seconds , it is not possible to change the settings or values	Button lock is active	<ol style="list-style-type: none"> If you would like to change any of the values, follow the instructions on the display. Also read the "Activating Button lock" function (→ Operating instructions for the system control) for more details.

B For the competent person

B.1 Installer level

Setting level	Values		Increment, select	Default setting
	Min.	Max.		
Installer level →				
Enter code	000	999	1	000
Installer level → System configuration →				
System ----				
Fault status	Current value*			
Control modules	Display		Software version	
Remote control address	1	8	1	1
Signal strength	0	10	1	
* If no fault is present, the status is No fault . If there is a fault, Fault list appears and you can read the fault message in the "Fault messages" section.				

B.2 Remedy

Code/meaning	Possible cause	Measure
Room temp. sensor fault	Room temperature sensor defective	► Replace the remote control.
No zone assignment for the remote control or the controller	No remote control address	► Set the correct address on the remote control unit in the Remote control address function.
	No zone assignment	► Set the correct address for the remote control unit on the system control in the Zone assignment function.
System fault	Fault in the heating installation	► Assess the fault messages in the system control.

B.3 Troubleshooting

Symptom	Possible cause	Measure
Display remains dark	The batteries are flat	► Change all the batteries. (→ Page 9)
	The batteries in the system control have not been inserted correctly	► Insert the batteries in the battery compartment, making sure that the poles are the right way round.
	The product is defective	► Replace the product.

Symptom	Possible cause	Measure
No changes in the display when the rotary knob is turned	Software error	<ol style="list-style-type: none"> 1. Take all the batteries out. 2. Insert the batteries in the battery compartment, making sure that the poles are the right way round.
	The product is defective	▶ Replace the product.
No changes in the display via the selection buttons are pressed	Software error	<ol style="list-style-type: none"> 1. Take all the batteries out. 2. Insert the batteries in the battery compartment, making sure that the poles are the right way round.
	The product is defective	▶ Replace the product.
Display view: No RF communication	No power supply to the radio receiver unit	▶ Reconnect the power supply to the radio receiver unit.
	The remote control is outside the radio reception range	<ol style="list-style-type: none"> 1. Take the remote control to the radio receiver unit and see if the reception strength increases. 2. If the reception strength is ≤ 4, find a new installation site for the remote control.
	The product is defective	▶ Replace the product.
It is not possible to switch to the installer level	You do not know the code for the installer level	▶ Reset the remote control to the factory settings (→ Page 14).

Supplier**Vaillant Ltd.**

Nottingham Road ■ Belper ■ Derbyshire ■ DE56 1JT

Telephone 0330 100 3143

info@vaillant.co.uk ■ www.vaillant.co.uk



0020253110_03

Publisher/manufacture**Vaillant GmbH**

Berghauser Str. 40 ■ D-42859 Remscheid

Tel. +49 2191 18 0 ■ Fax +49 2191 18 2810

info@vaillant.de ■ www.vaillant.de

© These instructions, or parts thereof, are protected by copyright and may be reproduced or distributed only with the manufacturer's written consent.

Subject to technical modifications.